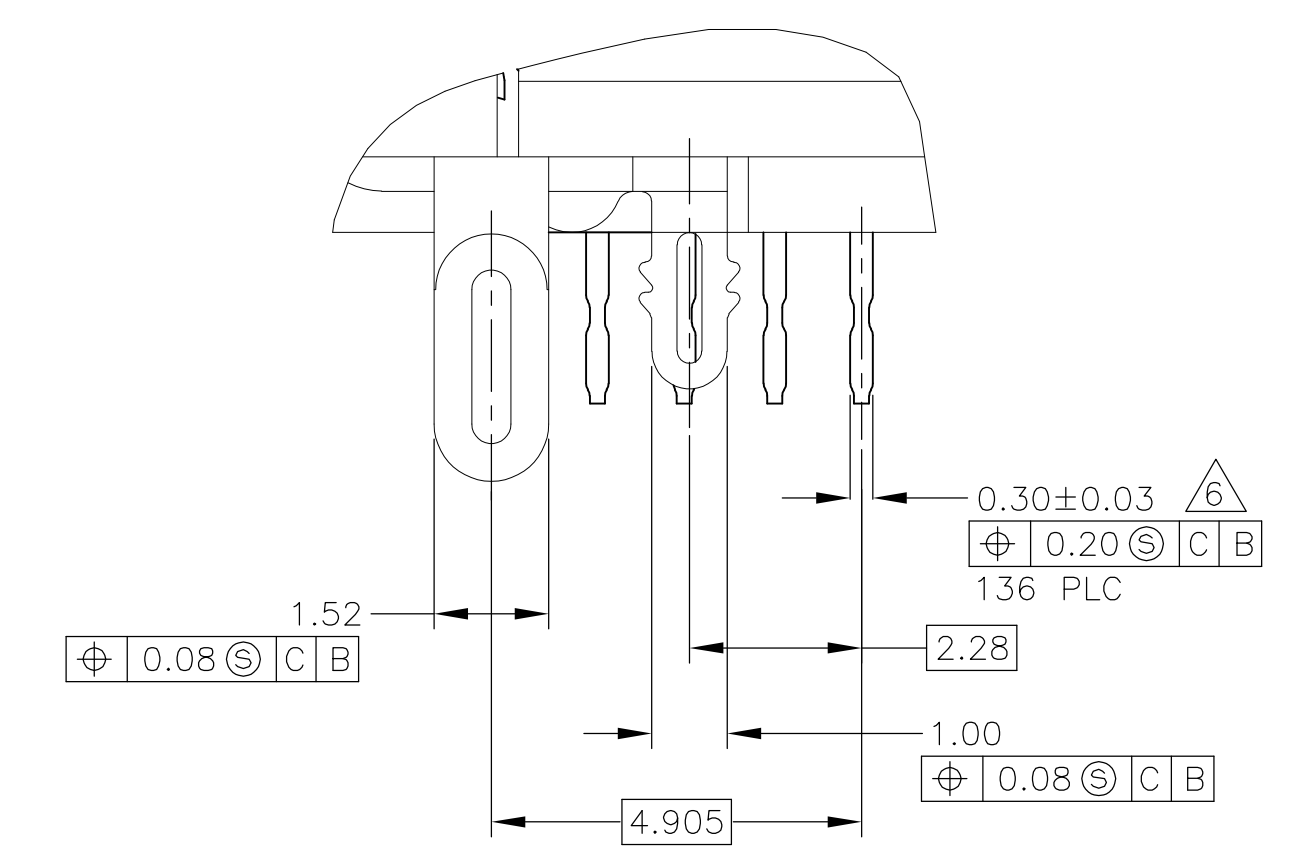
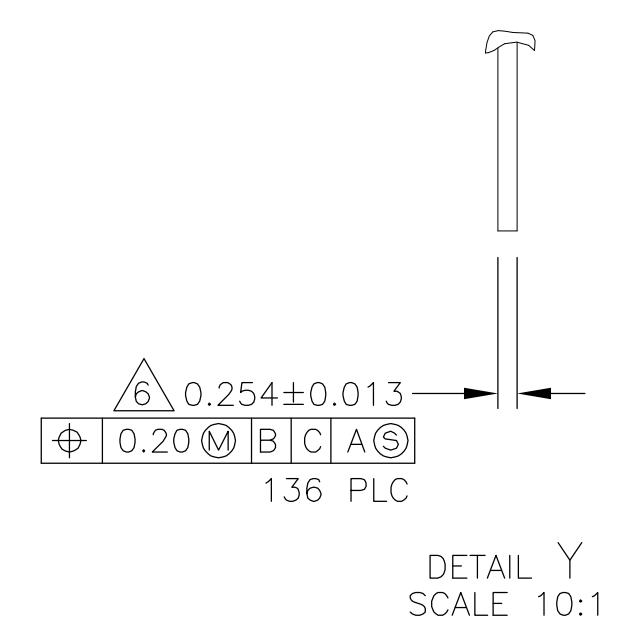


- ⚠ MOLDED PARTS: THERMOPLASTIC, BLACK, UL 94V-0 RATED.
SHELL: CARBON STEEL.
CONTACTS: PHOSPHOR BRONZE.
BRACKETS: STEEL.
- ⚠ SHELL: 5.08µm MIN NICKEL OVER 2.54µm MIN COPPER.
CONTACTS: 0.76µm MIN GOLD ON MATING END, 3.75µm MIN TIN ON SOLDER TAILS, BOTH OVER 1.27µm MIN NICKEL OVER ENTIRE CONTACT.
BRACKETS: TIN PLATED.
- 3. CONTACTS DESIGNED FOR USE ON 1.60±0.15 THICK PC BOARD WITH PLATED THRU MOUNTING HOLES.
- 4. RECEPTACLE ASSEMBLY DESIGNED FOR USE WITH 1.12±0.08 THICK PANEL.
- ⚠ DATUMS AND DIMENSIONS ESTABLISHED BY CUSTOMER.
- ⚠ POSITION TOLERANCE APPLIES AT CONTACT TIP ONLY.
- ⚠ OFFSET DIMENSION APPLIES TO LOWER FOOTPRINT ONLY.
- ⚠ CONTACTS DESIGNED FOR USE ON 2.35±0.15 THICK PC BOARD WITH PLATED THRU MOUNTING HOLES.
- ⚠ DATE CODE MARKED IN APPROXIMATE AREA SHOWN.



DETAIL W
SCALE 10:1

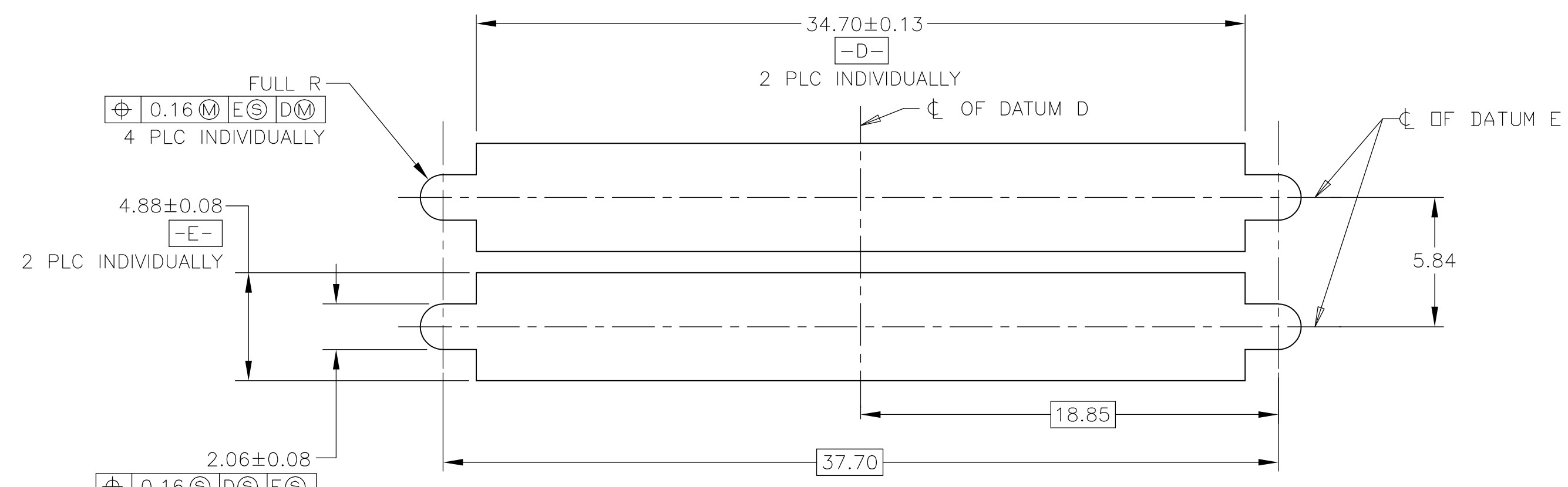
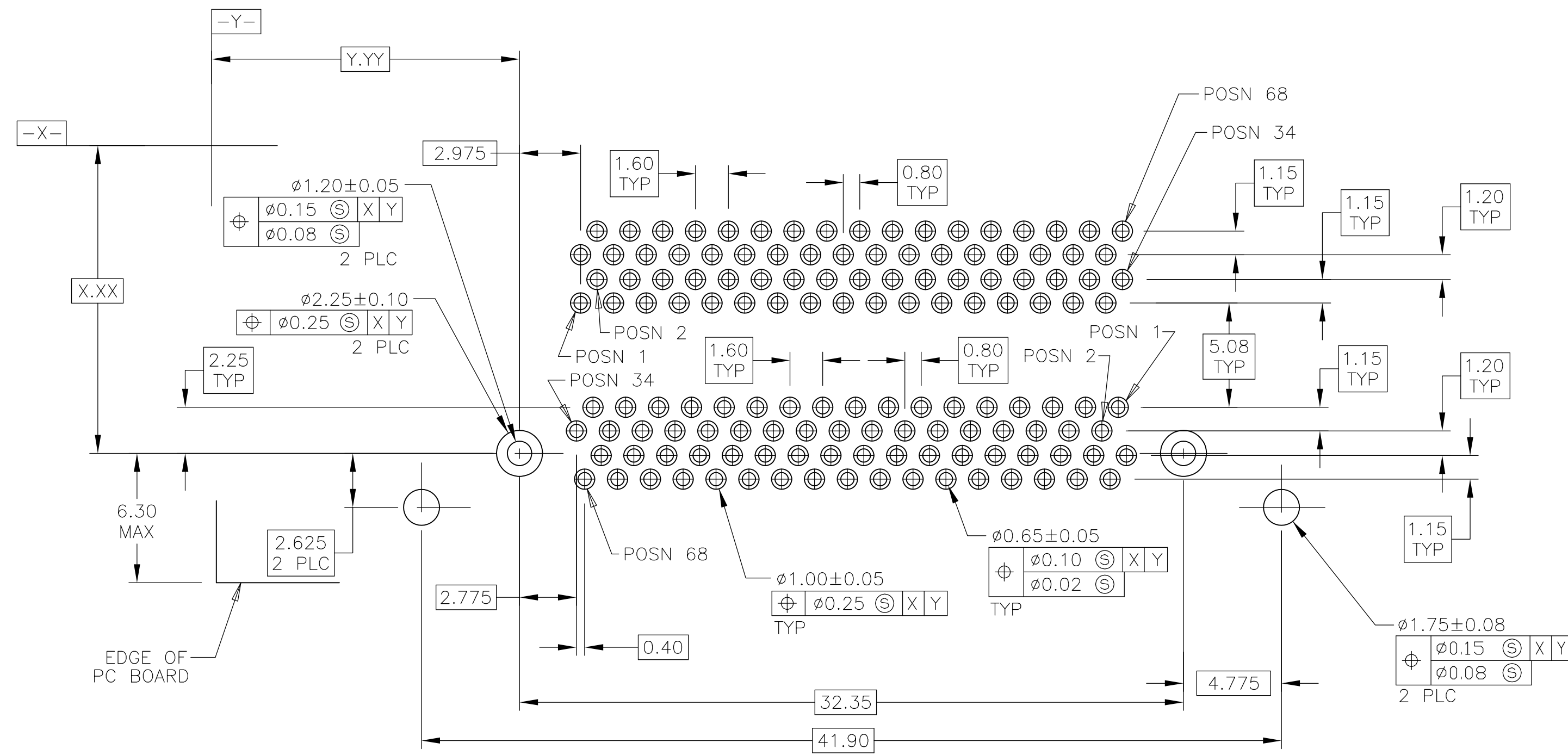


DETAIL Y
SCALE 10:1

REMARKS	3.55	5787962-2
	2.27	5787962-1
	S	PART NUMBER

THIS DRAWING IS A CONTROLLED DOCUMENT.		DWN: J. GERACE 24JAN05	Tyco Electronics Corporation Harrisburg, PA 17105-3608	
DIMENSIONS: mm		CHK: S. SHUEY 24JAN05	NAME: M. WALMSLEY 24JAN05	
TOLERANCES UNLESS OTHERWISE SPECIFIED:		PRODUCT SPEC: 108-1471-1		
0 PLC ± -		APPLICATION SPEC: 114-6057		
1 PLC ± -		SIZE: A1		
2 PLC ± 0.13		CAGE CODE: 00779		
3 PLC ± -		DRAWING NO: 5787962		
4 PLC ± -		RESTRICTED TO: -		
ANGLES ± 1°		CUSTOMER DRAWING		
FINISH		SCALE: 5:1 SHEET: 1 OF 2 REV: C		

LOC	DIST	REVISIONS		
IF	LTR	DESCRIPTION	DATE	DRN
GP	00	SEE SHEET 1	-	-



THIS DRAWING IS A CONTROLLED DOCUMENT.		DRN J. GERACE 24JAN05	Tyco Electronics Tyco Electronics Corporation Harrisburg, PA 17105-3608	
DIMENSIONS: mm		CHK S. SHUEY 24JAN05	NAME M. WALMSLEY 24JAN05	
	0 PLC ± -	PRODUCT SPEC 108-1471-1		
	1 PLC ± -	APPLICATION SPEC 114-6057		
	2 PLC ± 0.13	RESTRICTED TO		
MATERIAL -		SIZE A1 CAGE CODE DRAWING NO. 00779		REV -
FINISH -		CUSTOMER DRAWING		SCALE 5:1 SHEET 2 OF 2 REV C

单击下面可查看定价，库存，交付和生命周期等信息

[>>TE Connectivity\(泰科\)](#)