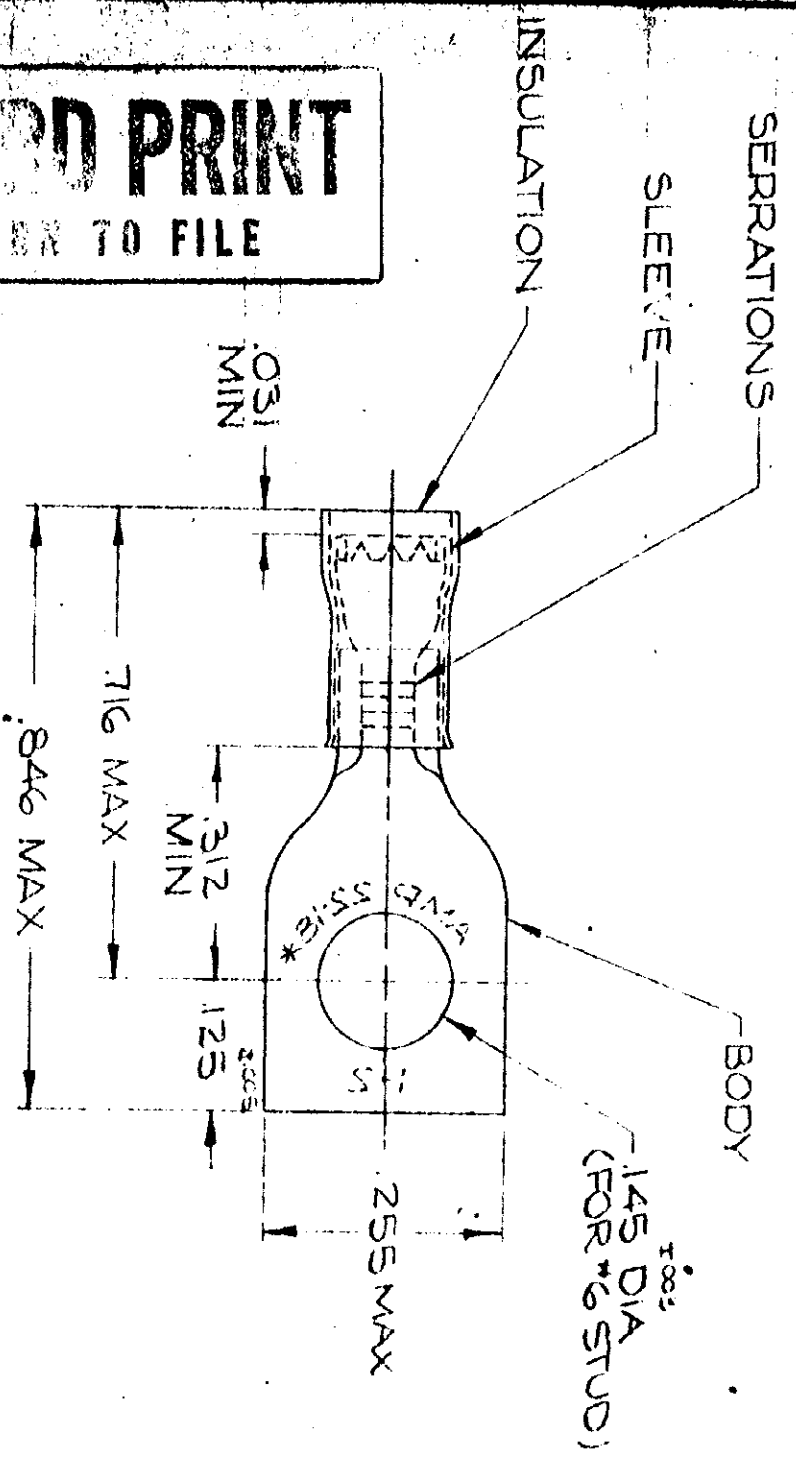


DRAWING MADE IN AMERICAN PROJECTION
 © 1958 BY AMP INCORPORATED. ALL RIGHTS RESERVED. AMP PRODUCTS COVERED BY PATENTS AND/OR PATENTS PENDING.

| REVISIONS | | DATE | APPROVED |
|-----------|--------------------------------|---------|----------|
| LTR | DESCRIPTION | | |
| C | REDRAWN REV ADDED TYPE NO 3630 | 5-11-71 | ECY |

LOC 6
 PRINT 141
 2



RECORD PRINT
 RETURN TO FILE

TONGUE MATERIAL THK = .031
 FOR .080 TO .125 WIRE INSULATION DIA
 MARKING: 22-18 FOR MILITARY
 COMMERCIAL RANGE 22-16

| | | |
|-----------------|-----------|--|
| 320629 | 2320629-1 | INSULATION: NYLON, (MIL-IT-20693) NET COLOR RED |
| ON TAPE | | |
| WIRE TERMINAL | 320629 | BODY & SLEEVE: COPPER (QQ-C-576) TIN PL (MIL-T-10727) |
| QTY DESCRIPTION | PART NO. | MATERIAL & FINISH |

| | | | |
|---|----------------|-----------------------|--|
| UNLESS OTHERWISE SPECIFIED DIMENSIONS ARE IN INCHES TOLERANCES ON: DECIMALS .008 ANGLES .5° | CONTRACT NO. 4 | DR. W. J. MILL 3-9-71 | AMP INCORPORATED HARRISBURG, PENNSYLVANIA |
| APPROVED: [Signature] | DATE: 3-11-71 | REL. [Signature] | |
| APPD: [Signature] | DATE: 3-15-71 | REL. [Signature] | |
| DSGN: [Signature] | DATE: 3-15-71 | REL. [Signature] | |
| OTHER APPD: | | | |

| | | | | |
|-----------|------------------------------|------------|-----------------------|----------------|
| SEE TABLE | NAME: WIRE TERMINAL | SIZE: A | CODE IDENT NO.: 00779 | NUMBER: 320629 |
| | PI.D.G. - RECTANGULAR TONGUE | SCALE: NTS | | SHEET 1 OF 1 |
| | WIRE SIZE: 22-16 | | | |

单击下面可查看定价，库存，交付和生命周期等信息

[>>TE Connectivity\(泰科\)](#)