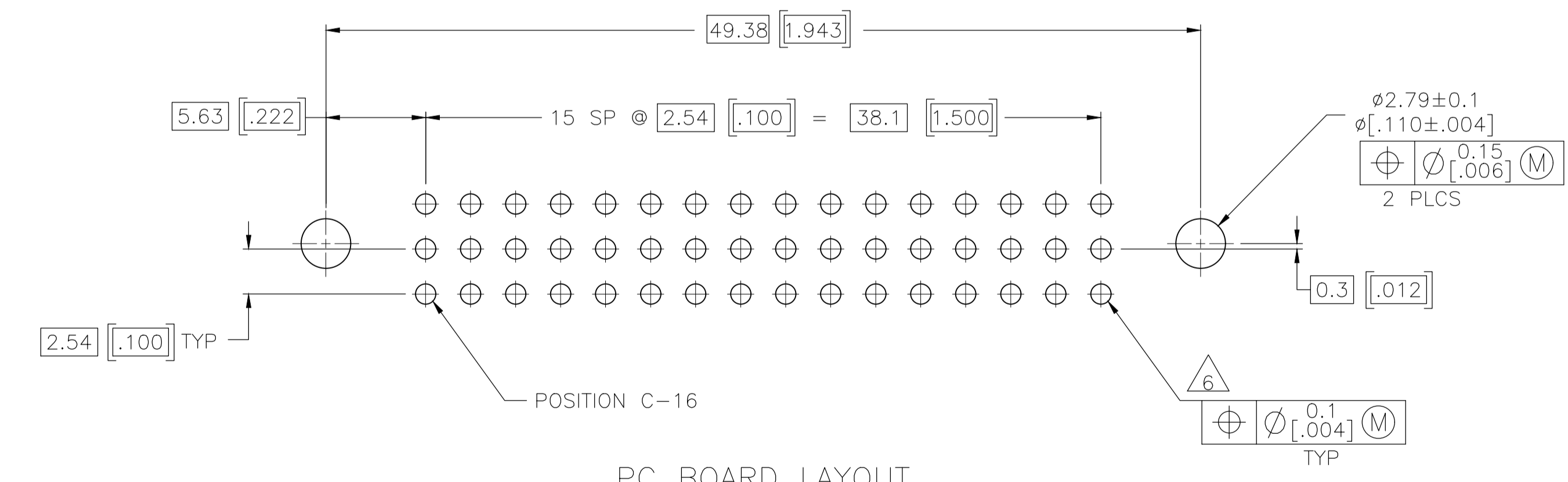
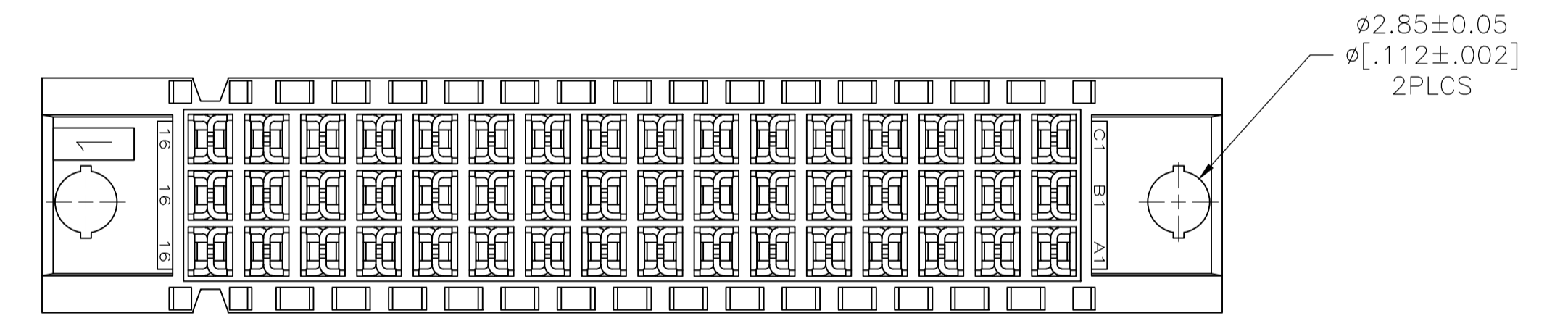
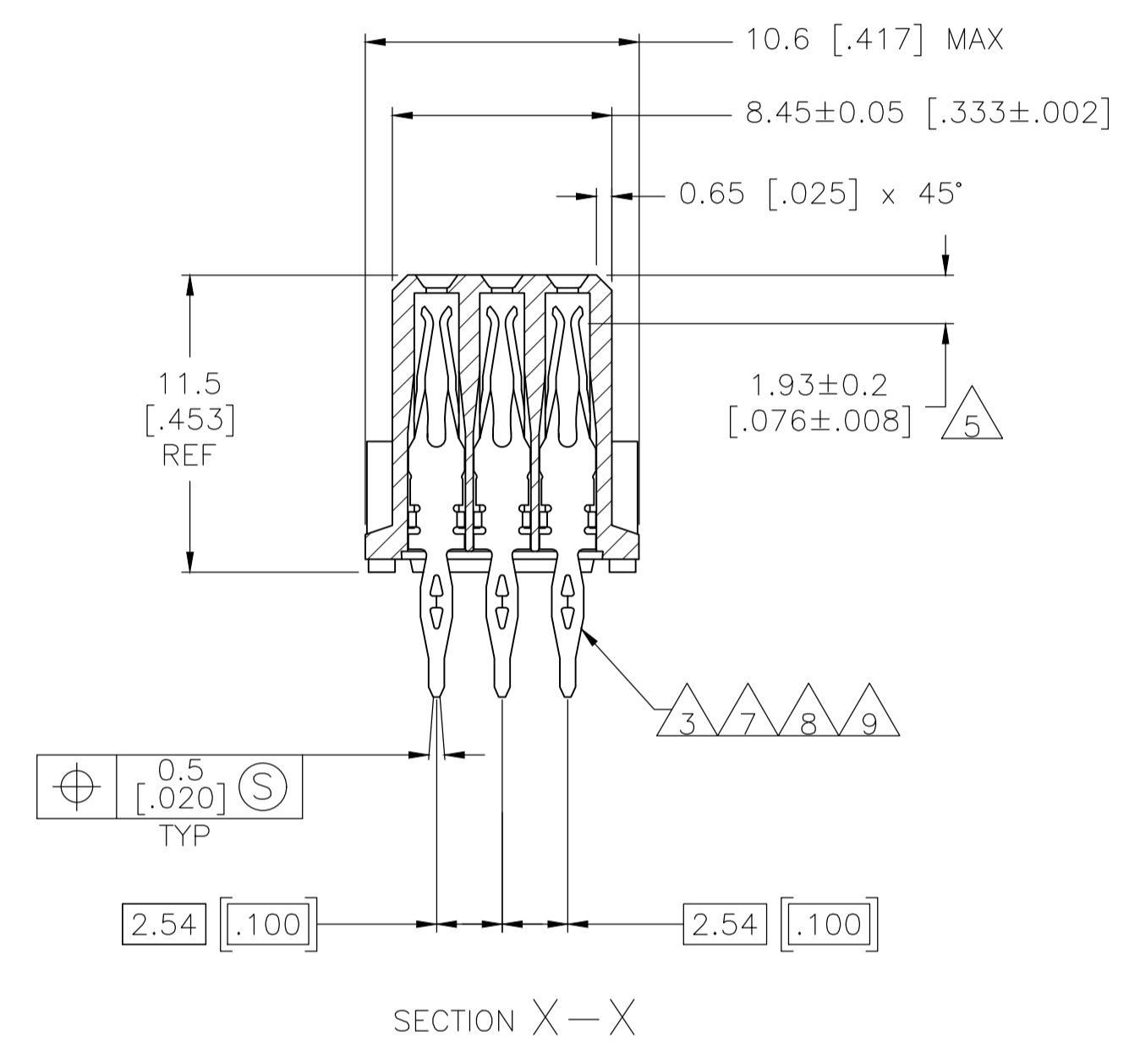
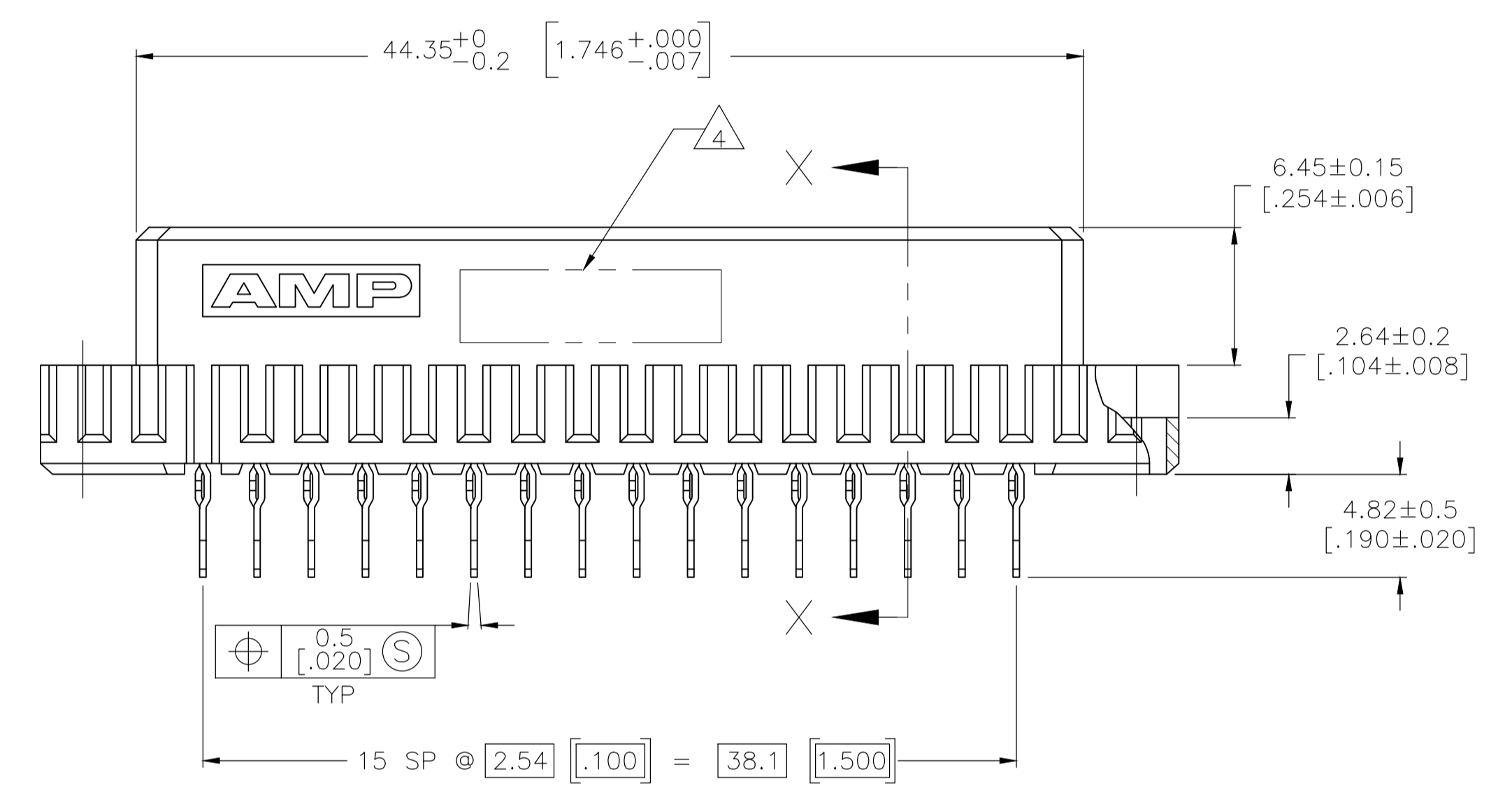
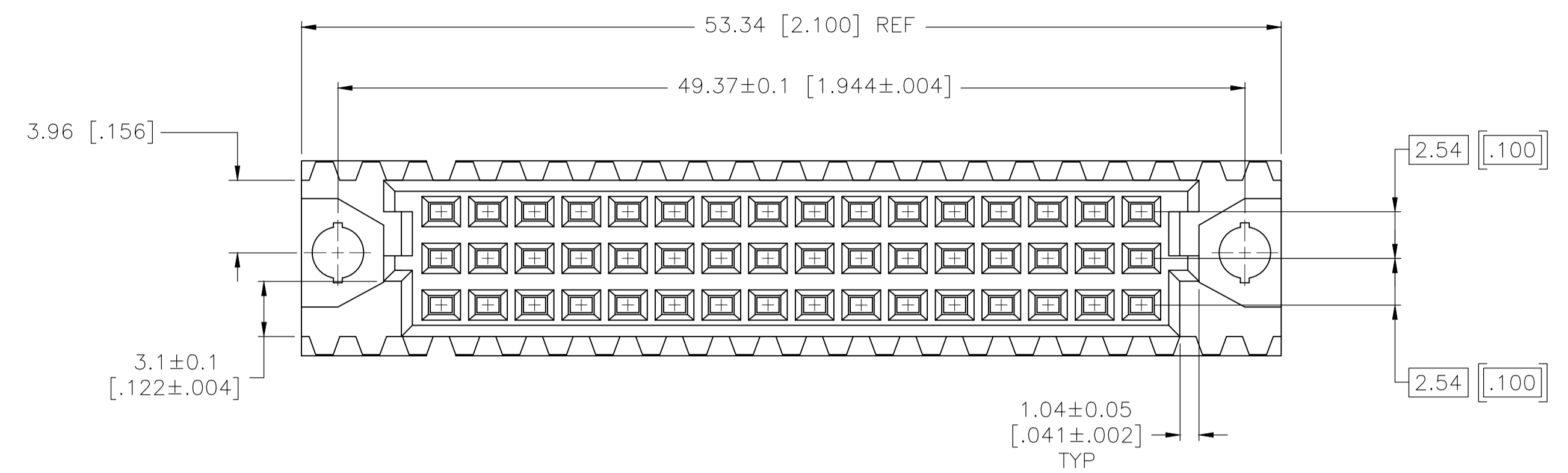


REVISIONS					
P	LTR	DESCRIPTION	DATE	DMN	APVD
R		REVISED PER ECO-20-112189	16MAR2020	SY	HL

- ① HOUSING MATERIAL: GLASS-FILLED POLYESTER. COLOR: GRAY.
- ② CONTACT MATERIAL: PHOSPHOR BRONZE.
- ③ CONTACT FINISH: DIN 41612 CLASS 2 IN CONTACT AREA. TIN ON POSTS.
- ④ PART NUMBER, DATE CODE IDENTIFICATION, CSA LOGO IN THIS APPROXIMATE AREA.
- ⑤ POINT OF MEASUREMENT FOR GOLD.
- ⑥ ACTION PIN POSTS REQUIRE 1.57[.062] MIN THICK PC BOARD. RECOMMENDED PC BOARD HOLES ARE  $\varnothing 1.51 \pm 0.02 [0.453 \pm 0.01]$  DRILLED HOLE WITH 0.02-0.07[.001-.003] COPPER AND 0.008[.0003] MIN TIN-LEAD PLATING. FINISHED HOLE AFTER PLATING,  $\varnothing 0.94-1.09 [0.37-.043]$ .
- ⑦ CONTACT FINISH: 0.00127[.000050] GOLD IN CONTACT AREA. 0.00127[.000050] NICKEL UNDERPLATE ALL OVER. TIN-LEAD ON TAILS.
- ⑧ CONTACT FINISH: DIN 41612 CLASS 3 IN CONTACT AREA. TIN-LEAD ON POSTS.
- ⑨ CONTACT FINISH: DIN 41612 CLASS 2 IN CONTACT AREA. TIN-LEAD ON POSTS.



NOTES	POSITIONS LOADED	C	B	A	NO. OF LOADED POSITION	ASSY PART NUMBER
SUPERSEDED BY: 5535034-5						
③	1 THRU 16	X	X	X	48	7-535034-5
⑧	1 THRU 16	X	X	X	48	535034-9
⑨	1 THRU 16	X	X	X	48	535034-5
⑨	1 THRU 16	X	X	X	48	535034-4
⑦	1 THRU 16	X	X	X	48	535034-1

THIS DRAWING IS A CONTROLLED DOCUMENT.

DIMENSIONS: mm	TOLERANCES UNLESS OTHERWISE SPECIFIED:	DIN L. BRINER 2/16/89	TE Connectivity
0 PLC ± -	1 PLC ± -	CIK J. BROWN 4/13/89	ASSEMBLY, RECEPTACLE, EUROCARD, TOOLLESS PRESSFIT, 48 POSITION
2 PLC ± -	3 PLC ± 0.13[.005]	APVD J. BROWN 4/13/89	SIZE CAGE CODE DRAWING NO
4 PLC ± -	ANGLES ± -	PRODUCT SPEC	RESTRICTED TO
MATERIAL	FINISH	WEIGHT 0.000000	A1 00779 C=535034
① ②	③ ④ ⑤ ⑥ ⑦ ⑧ ⑨	CUSTOMER DRAWING	SCALE 4:1 SHEET 1 OF 1 REV R

单击下面可查看定价，库存，交付和生命周期等信息

[>>TE Connectivity\(泰科\)](#)