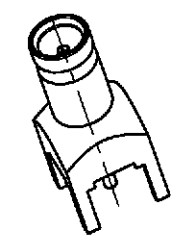
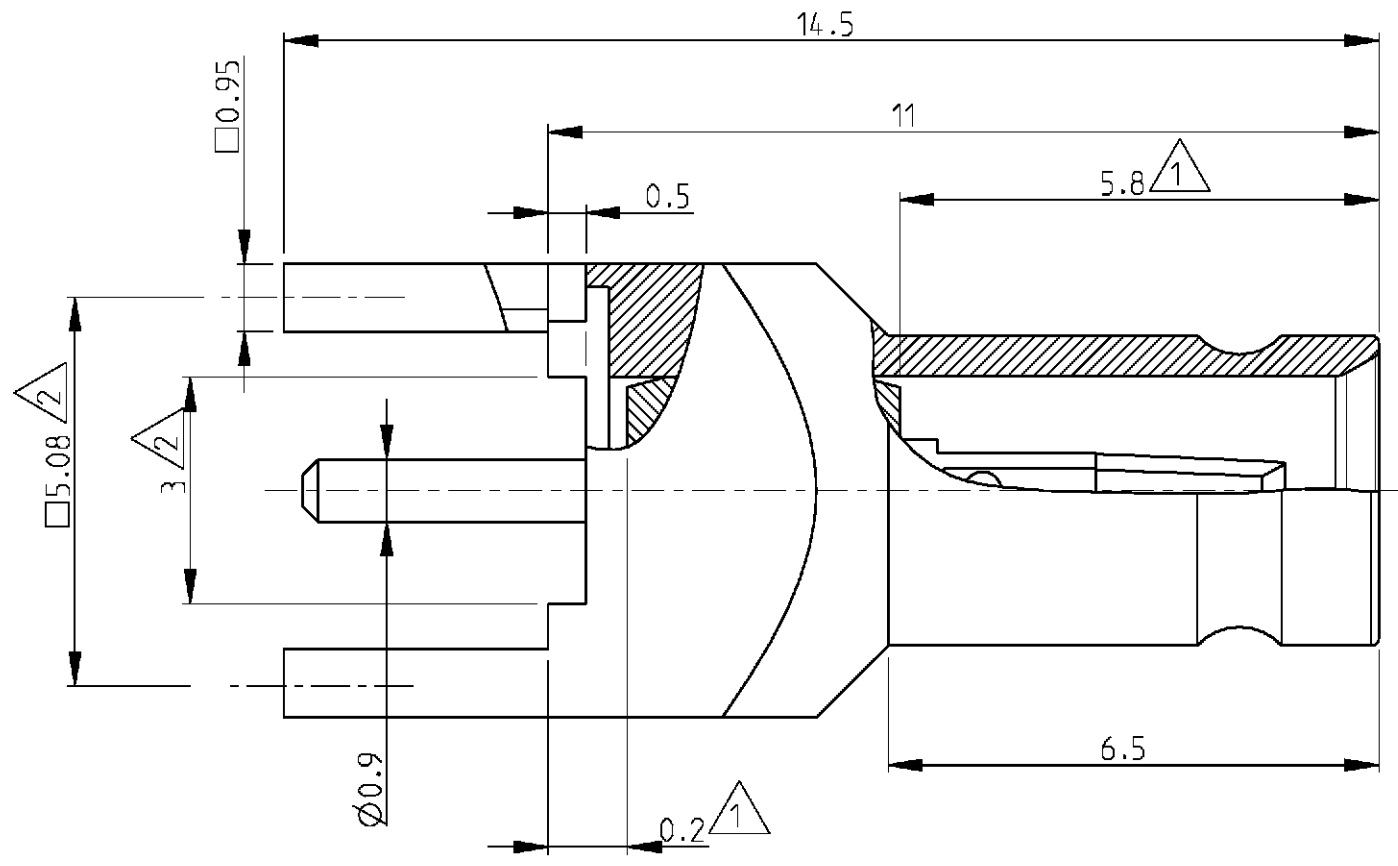


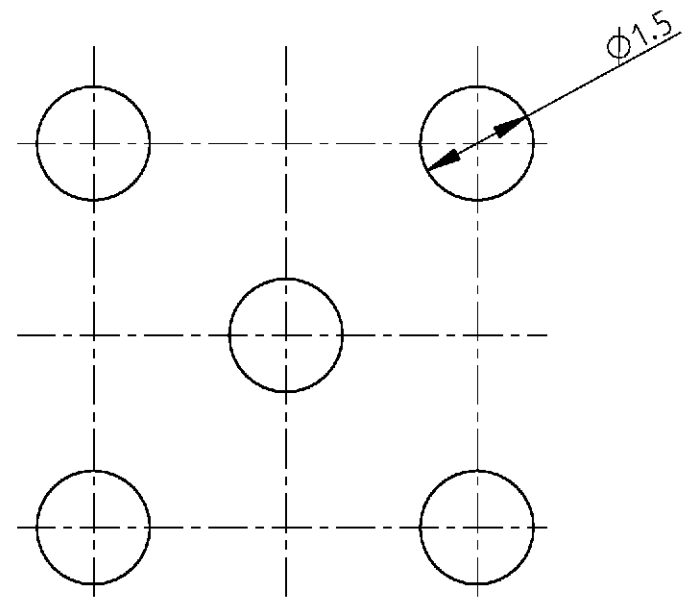
THIS DRAWING IS UNPUBLISHED. RELEASED FOR PUBLICATION 2000
 © COPYRIGHT 2000 BY TYCO ELECTRONICS CORPORATION. ALL RIGHTS RESERVED.

LOC	DIST	REVISIONS					
		P	LTR	DESCRIPTION	DATE	DWN	APVD
GW	-		A1	SR10-0138-01	5APR2001	CM	KM



2:1

Recommended PCB Layout Pitch : 2.54



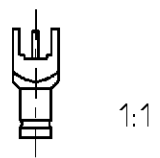
- 4. Mating face according to DIN 47297 and CECC 22230
- 3. Mounting requirements : PCB with pitch 2.54 ²
 Thickness : ± 3mm
 Diameter of bores : Ø1.5 mm ²

² Nominal dimension
¹ Minimum dimension

All dimensions are maximum unless otherwise specified

V23600-A1027-C1	3-1393670-4	Dielectric	PTFE	
		Outer Con.	Brass	1µm Au min in contact area
		Center Con.	Cu Be	1µm Au min in contact area
Old Nr	Tyco Nr	Description	Material	Plating

<small>THIS DRAWING IS A CONTROLLED DOCUMENT FOR TYCO ELECTRONICS CORPORATION. IT IS SUBJECT TO CHANGE AND THE CONTROLLING ENGINEERING ORGANIZATION SHOULD BE CONTACTED FOR THE LATEST REVISION.</small>	
DIMENSIONS:	TOLERANCES UNLESS OTHERWISE SPECIFIED:
mm	
	0 PLC ±
	1 PLC ±0.5
	2 PLC ±0.13
	3 PLC ±0.013
	4 PLC ±0.0001
	ANGLES ±
MATERIAL -	FINISH -



DWN MOROBE 15MAR2001	Tyco Electronics Oostkamp - Belgium		
CHK MATTHEEUWS 3APR2001			
APVD BOZZER 5APR2001	NAME		
PRODUCT SPEC 108-71032	BULKHEAD JACK WITH PCB CONNECTION 1.0/2.3 50 Ohm		
APPLICATION SPEC -	SIZE A3	CAGE CODE 00779	DRAWING NO C-3-1393670-4
WEIGHT -	RESTRICTED TO -		
	SCALE 10/1	SHEET 1 OF 1	REV A1

单击下面可查看定价，库存，交付和生命周期等信息

[>>TE Connectivity\(泰科\)](#)