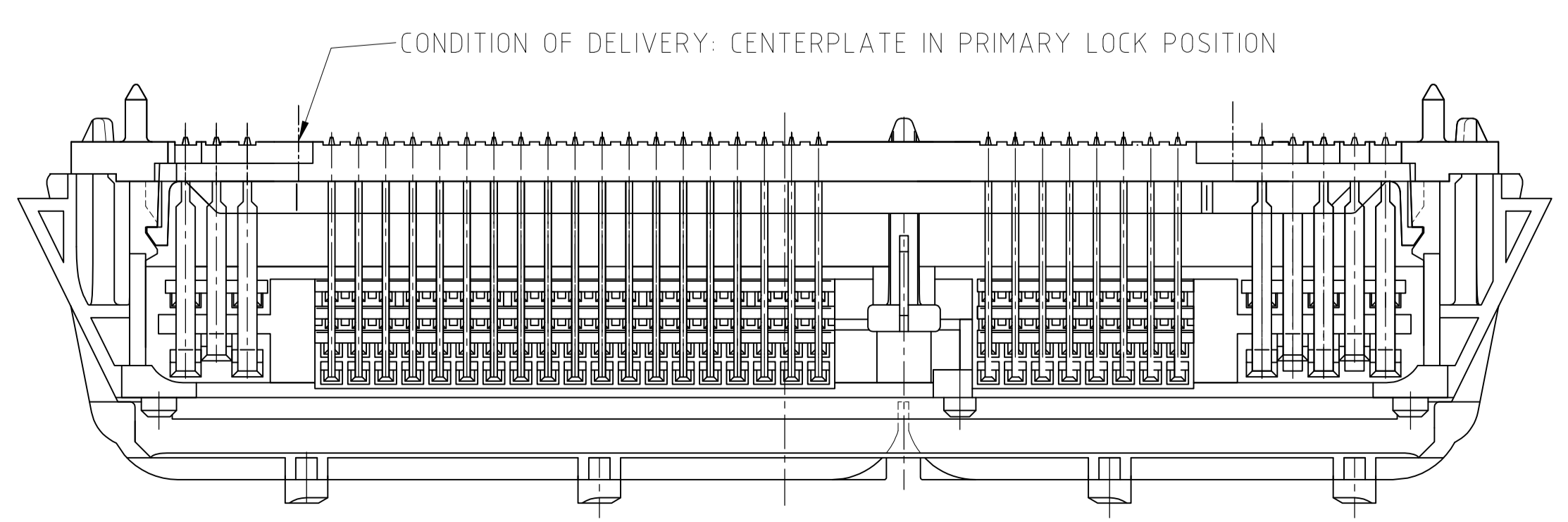
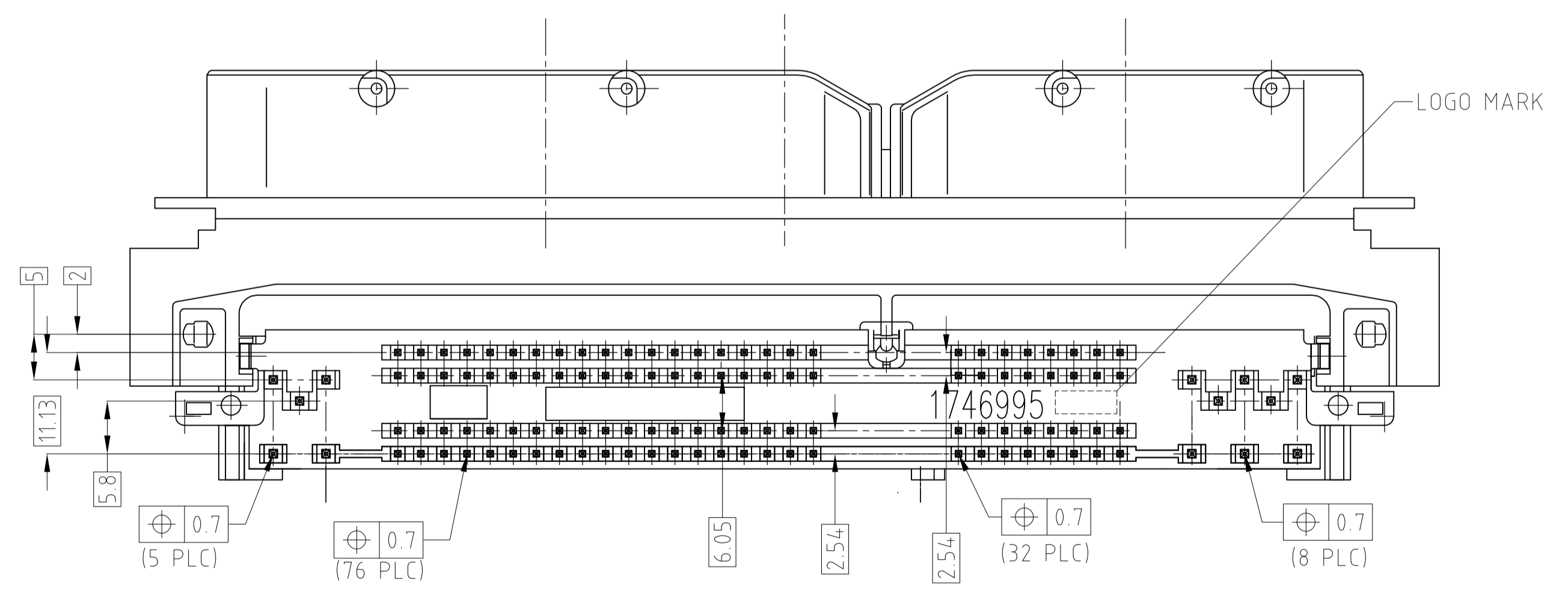
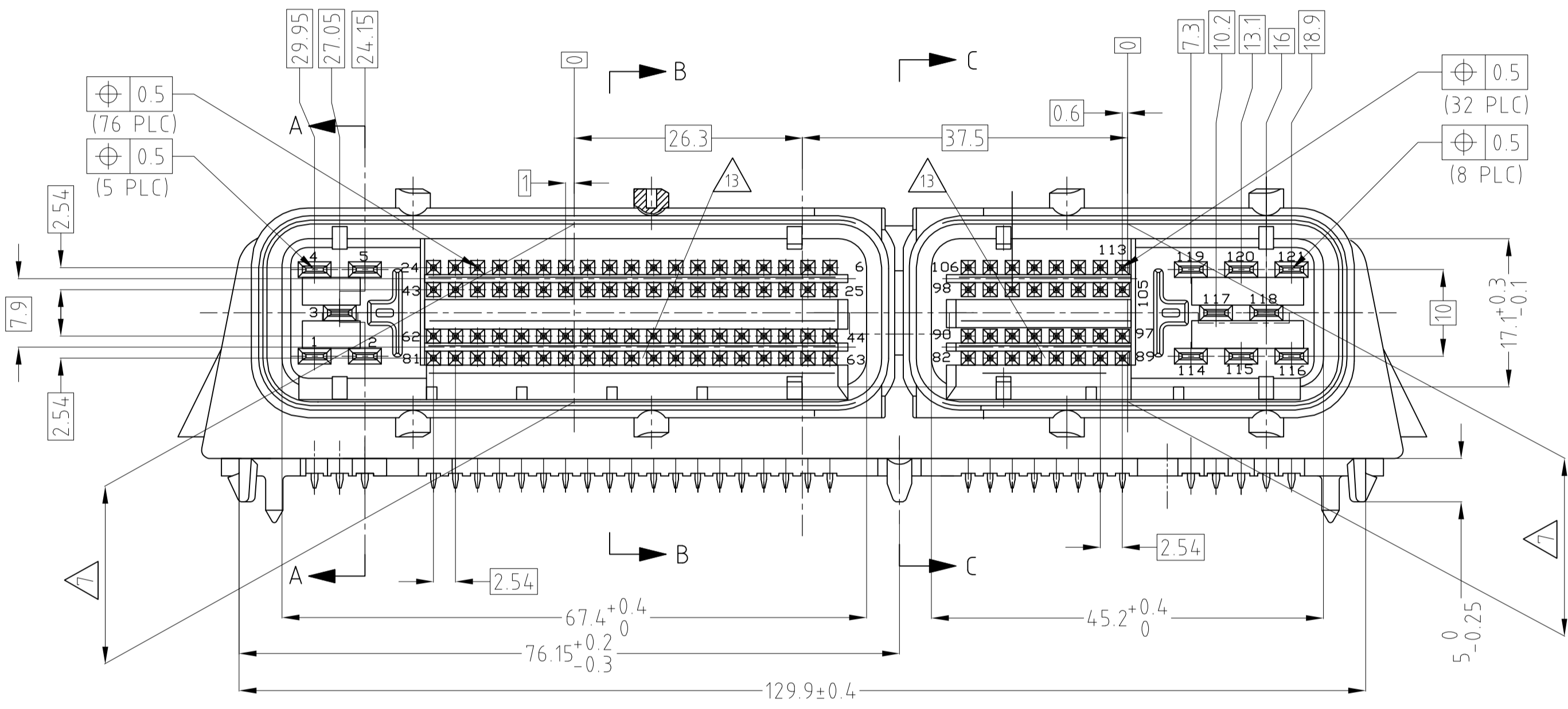
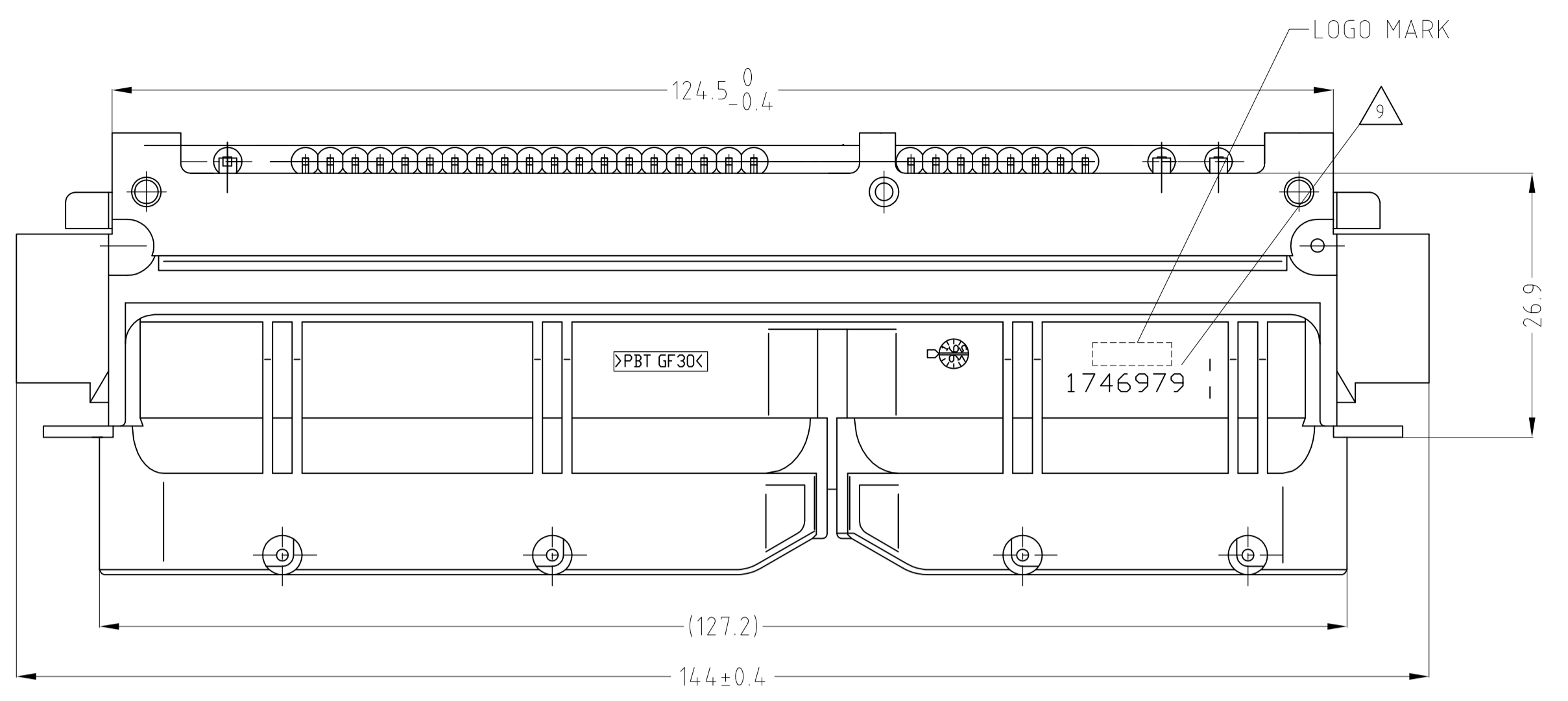
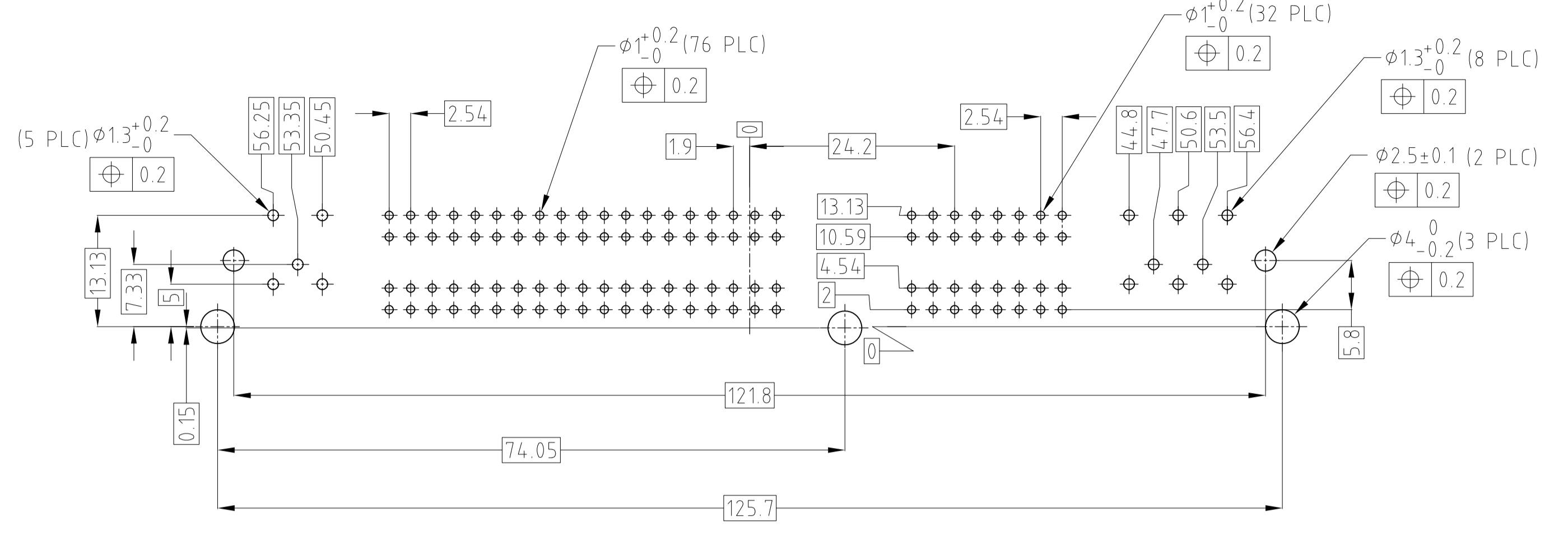


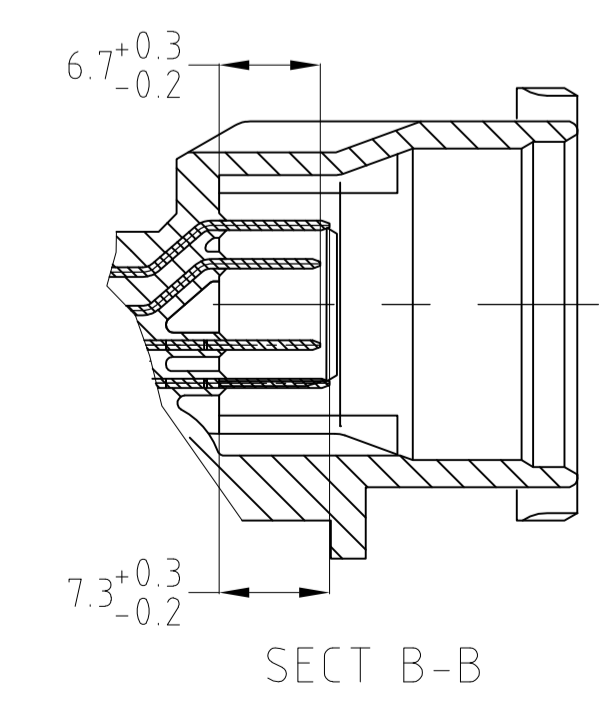
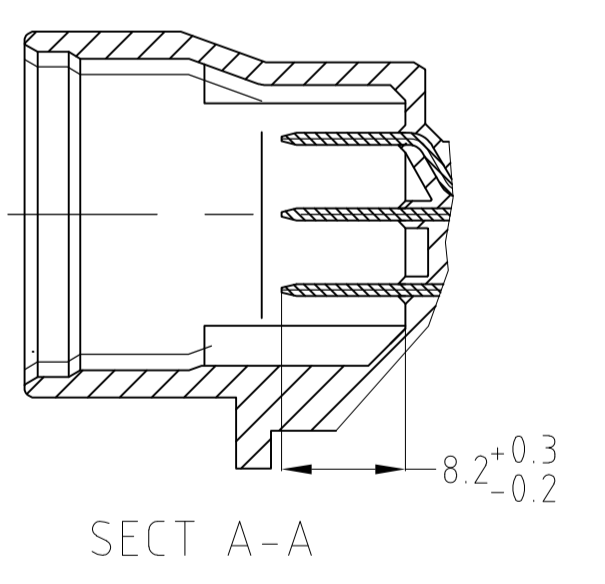
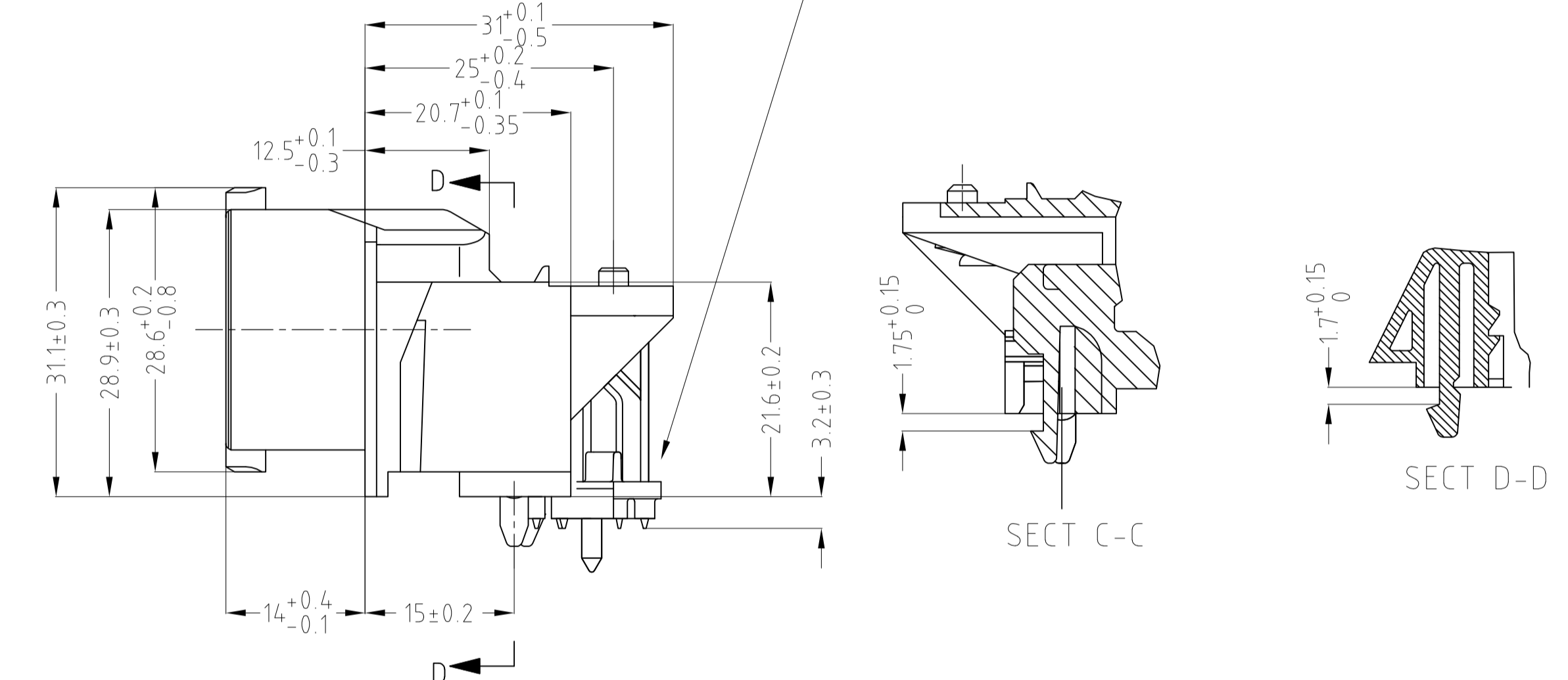
REVISIONS				
REV	DATE	DESCRIPTION	BY	CHK
B3	18NOV2020	REVISADO	DM	ARK



RECOMMENDED DESIGN OF PCB-HOLES



CENTERPLATE IN FINAL POSITION



- 注:
- △ピン  $\phi 0.63$ : 銅下地  $0.5\mu\text{m}$  以上
  - △ピン  $\phi 0.63$ : 鍍めつき  $2.0\text{--}4.0\mu\text{m}$
  - △タブ  $2.8 \times 0.8$ : ニッケル下地  $1.3\mu\text{m}$  以上  
タブ  $2.8 \times 0.8$ : 半田めっき  $2.0\text{--}4.0\mu\text{m}$
  - △ピン  $\phi 0.63$ : 保持力 40 N 最小
  - △タブ  $2.8 \times 0.8$ : 保持力 80 N 最小
  - △嵌合面側ゲージ No.: 90-244629/90-244630
  - △ソリは  $+0.2/-0.6$  mm 許容される
  - △寸法及び公差は、センタープレート プリアセンブリ時のみ適用
  - △TE型番はシート2枚目参照
  - △10. コンタクトの半田付部及び嵌合側突出量、形状及び位置の測定は、ゲージNo. 90-244 738を用いる
  - △11 はんだ特性は、DIN IEC 68, TEIL 2-20による
  - △嵌合相手は、TABLE 2 参照
  - △製造用の参照箇所
  - △BYD Auto Co.,Ltdのみ適用 (RECEPTACLE-HOUSING 40P:368383-1, 81P:368376-1)

- NOTES
- △ PIN  $\phi 0.63$ : OVER COPPER PLATING  $0.5\mu\text{m}$  MIN
  - △ PIN  $\phi 0.63$ : TIN PLATING  $2.0\text{--}4.0\mu\text{m}$
  - △ TAB  $2.8 \times 0.8$ : OVER NICKEL PLATING  $1.3\mu\text{m}$  MIN  
POST-TINPLATED  $2.0\text{--}4.0\mu\text{m}$
  - △ PIN  $\phi 0.63$ : AXIAL RESISTANT FORCE MIN. 40N
  - △ TABS  $2.8 \times 0.8$ : AXIAL RESISTANT FORCE MIN. 80N
  - △ MATING GAUGE FOR MATING-SIDE: Mr.: 90-244629/90-244630
  - △ MOULD DEPENDING WAREPAGE OF  $+0.2/-0.6$  mm PERMITTED
  - △ DIMENSIONS AND TOLERANCE OF FORM AND POSITION OF THE PIN-AND TAB-ENDS ARE VALID ONLY WITH PREASSEMBLED CENTERPLATE
  - △ TE-PART-NO. ACC. TO SHEET 2
  - △ 10 FOR MEASURING THE CONTACT PROTRUSIONS OF THE SOLDER-SIDE, MATINGSIDE AND RHE TOLERANCES OF FORM AND POSITION THE MEASURING APPLIANCE NO. 90-244 738 IS TO BE EMPLOYED
  - △ 11 SOLDERABILITY ACC. TO DIN IEC 68, TEIL 2-20
  - △ SUITABLE CONNECTING HOUSINGS ACC. TO TABLE 2
  - △ REFERENCE POINT FOR STITCHING DIMENSION
  - △ Shenzhen BYD Auto Co.,Ltd ONLY (RECEPTACLE-HOUSING 40P:368383-1 81P:368376-1)

THIS DRAWING IS A CONTROLLED DOCUMENT.

DIMENSIONS: 単位: 寸	TOLERANCES UNLESS OTHERWISE SPECIFIED: 一般公差	DIN D. MATSUJIRA	OBAPR04
$\phi$	0 PLC 1 PLC 2 PLC 3 PLC 4 PLC	CHK T. KOHNO	OBAPR04
MATERIAL	ANGLES	APVD K. SHIMIZU	OBAPR04
FINISH 仕上		NAME 名称	

INSULATION DIA 絶縁径

**STE** TE Connectivity

PIN-/TAB 2.8x0.8-HEADER, 108/13 POSN., TSMT/JPT

APPLICATIO SPEC 取付適用規格

WEIGHT 73g

SCALE 2:1

SHEET 1 OF 2

REV B3

RESTRICTED TO

CUSTOMER DRAWING

DATE 1746979

SIZE A1

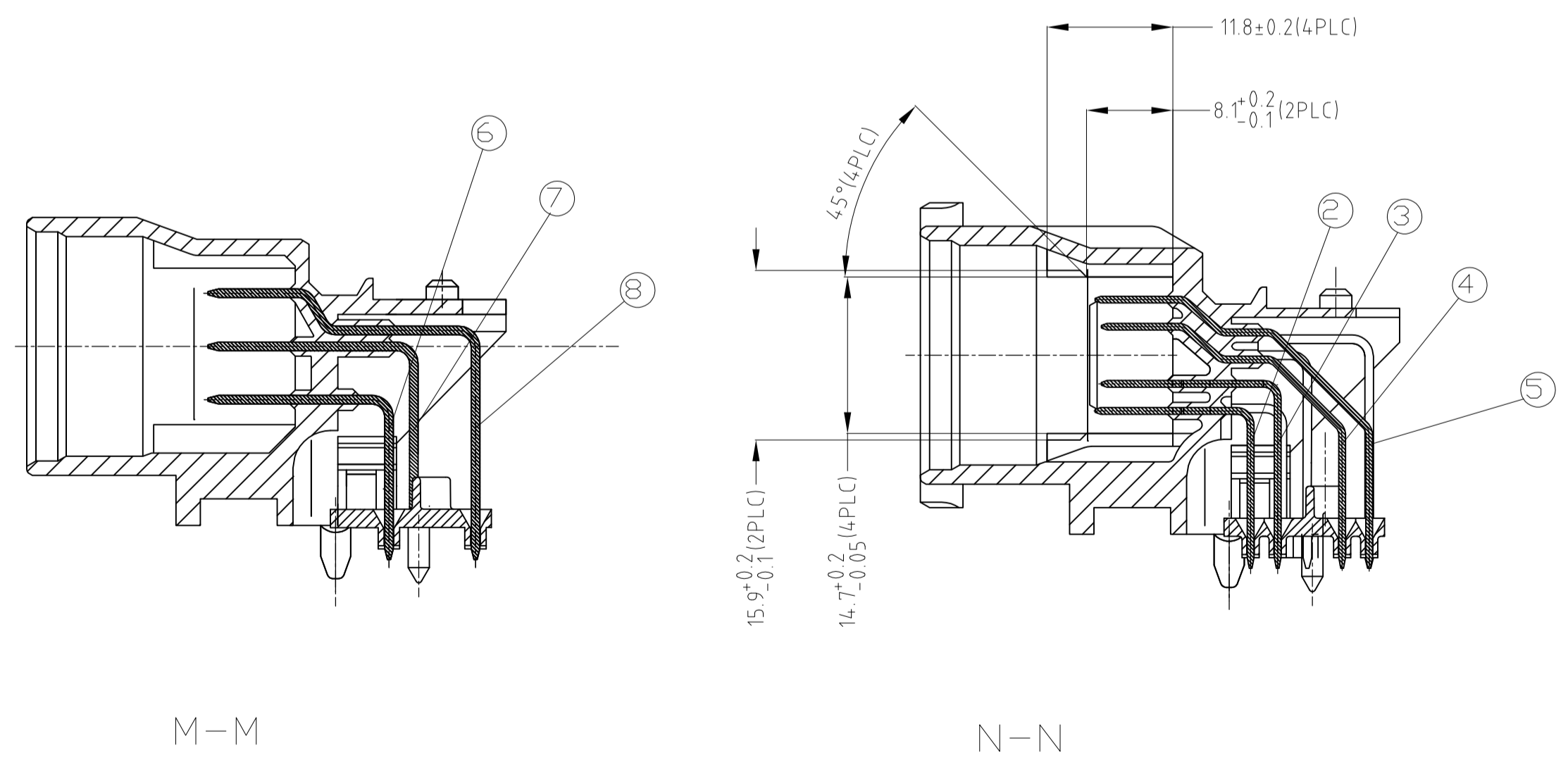
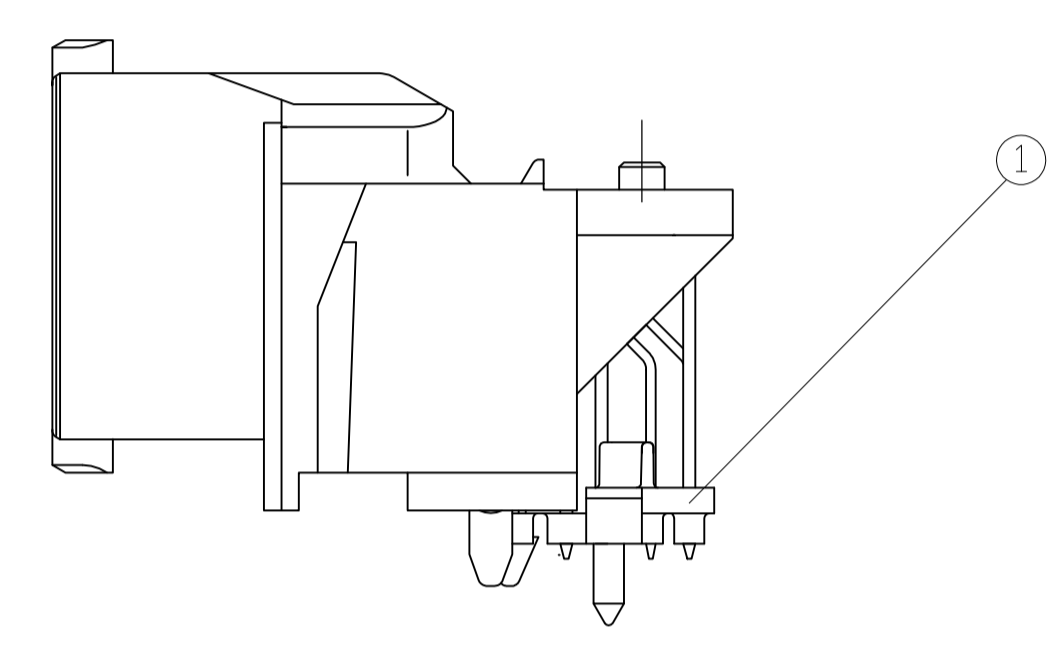
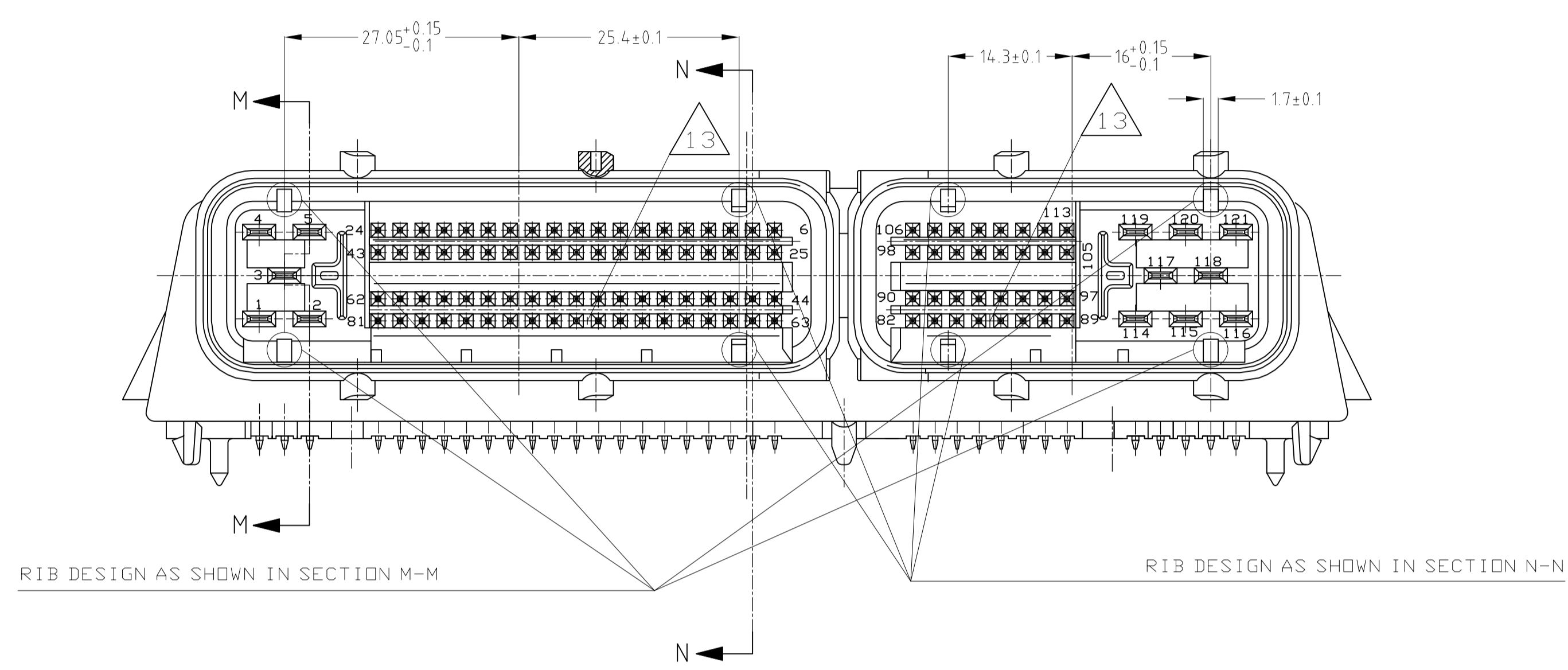
CAGE CODE 00779

DRAWING NO. 1746979

DATE 1746979

REVISIONS				
P	LTR	DESCRIPTION	DATE	OWN
-	-	SEE SHEET 1	-	-

1746979-1 CODING A  
AS SHOWN  
SHOWN WITHOUT CENTERPLATE



PIN-/TAB-HEADER	SUITABLE-RECEPTACLE-HOUSINGS	
	40 POSN. TE-PART-NO.	81 POSN. TE-PART-NO.
1746979-1	1473252-1	1473244-1
1746979-1	368383-1	368376-1

REVISION CODING	Q	Q
1746979-1	A	A
1-1746979-1		
X X	8	5
X X	7	3
X X	6	5
X X	5	27
X X	4	27
X X	3	27
X X	2	27
X	1	1

ORDER-NO	ITEM NO	QTY.	SINGLE-PART-NO	REV.	SINGLEPART	DESCR.	MATERIAL
1746979-1	1		1746995	D	CENTER-PLATE	PBT GF. 30	



TOLERANCES UNLESS OTHERWISE SPECIFIED:  
n. ISO 8015  
n. ISO 2768 - mH - E  
n. DIN 16901 - 140  
ANGLE 12°

THIS DRAWING IS A CONTROLLED DOCUMENT.  
DIMENSIONS: mm  
TOLERANCES UNLESS OTHERWISE SPECIFIED:  
0 PLC ±  
1 PLC ±  
2 PLC ±  
3 PLC ±  
4 PLC ±  
ANGLES ±

WIRE RANGE: 符合國際標準規格  
INSULATION DIA: 符合國際標準規格

DIN: D. MATSUJURA  
CHK: T. KOHNO  
APVD: K. SHIMIZU  
NAME: K. SHIMIZU

TE Connectivity

PIN-/TAB 2.8x0.8-HEADER, 108/13Pos., TSMT/JPT

SIZE: A1  
CAGE CODE: 00779  
DRAWING NO: 1746979  
WEIGHT: 73g

CUSTOMER DRAWING  
SCALE: 2:1  
SHEET: 2 OF 2  
REV: B3

单击下面可查看定价，库存，交付和生命周期等信息

[>>TE Connectivity\(泰科\)](#)