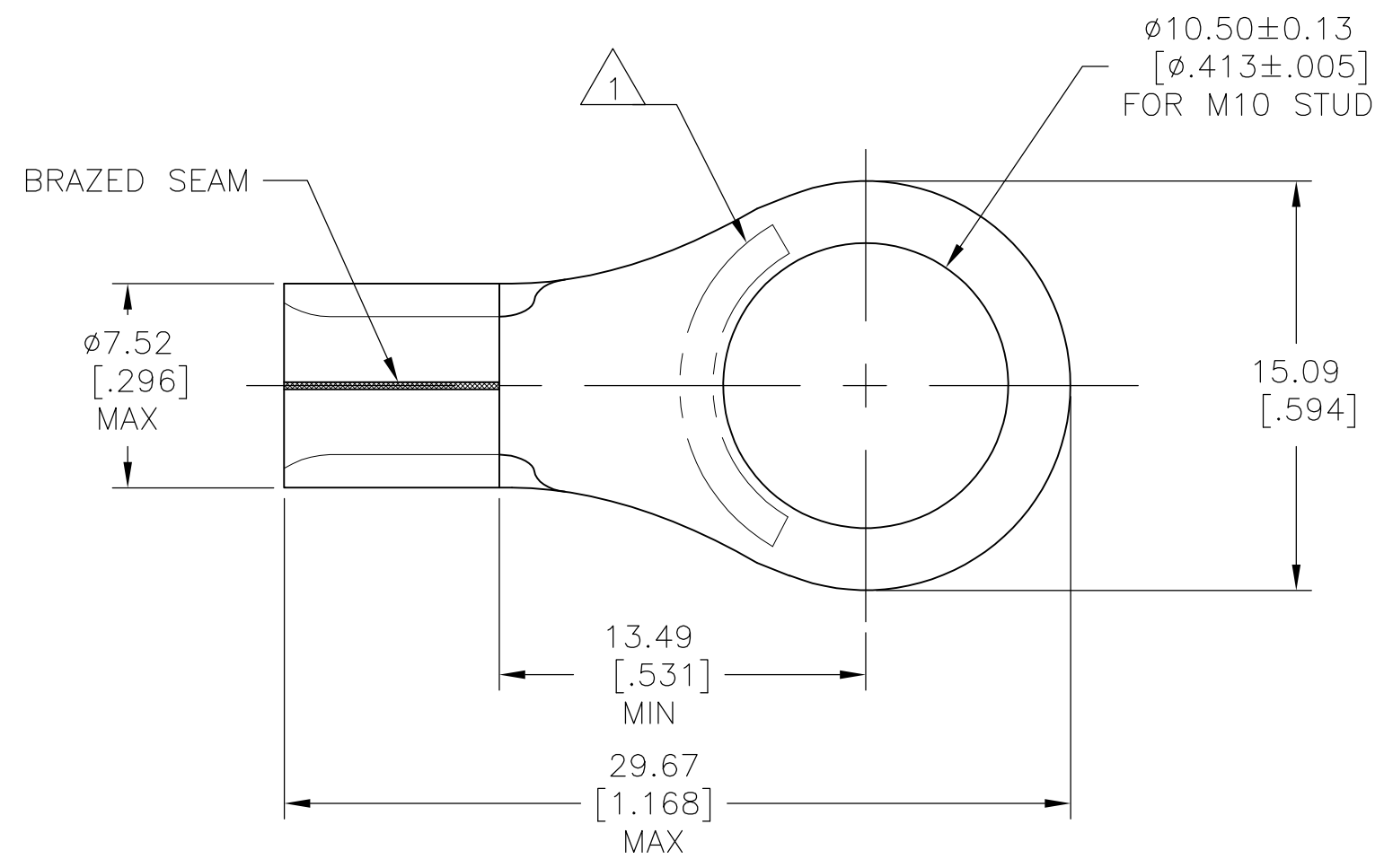


THIS DRAWING IS UNPUBLISHED. RELEASED FOR PUBLICATION
 © COPYRIGHT - By - ALL RIGHTS RESERVED.

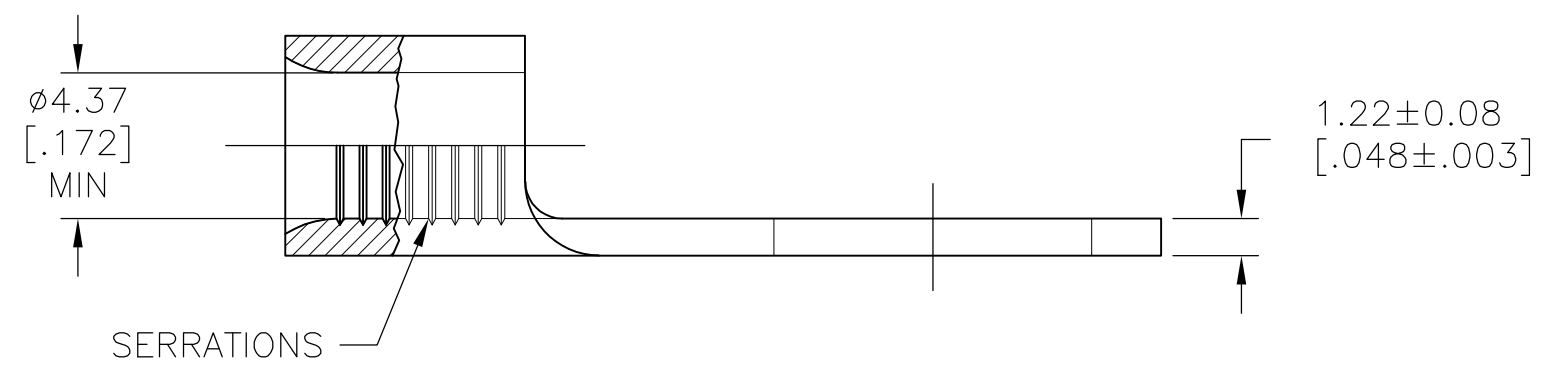
LOC	DIST	REVISIONS					
		P	LTR	DESCRIPTION	DATE	DWN	APVD
-	-		A2	REVISED PER ECO-12-013449	23JUL12	KH	DR



AMP
WIRE RANGE

8 AWG
SOLID OR STRANDED

- 1 STAMP "AMP 8*", APPROX AS SHOWN
- 2 MATERIAL: COPPER PER ASTM B-152 ANNEALED
- 3 FINISH: NICKEL PLATE 0.0003 [.0076] MIN EXT THK PER SAE AMS QQ-N-290



500	LOOSE PIECE	134962-1
QTY	PACKAGE TYPE	PART NO.

CUSTOMER SERVICE SYSTEMS	
FOR ADDITIONAL PRODUCT INFORMATION OR COPIES OF DRAWINGS AND TECHNICAL DOCUMENTS	PRODUCT INFORMATION CENTER 1-800-522-6752
FOR APPLICATION TOOLING INFORMATION	TOOLING ASSISTANCE CENTER 1-800-722-1111
FOR ORDER ENTRY	1-800-526-5142

MAX RECOMMENDED OPERATING TEMPERATURE: 343°C[650°F] MAX
VOLTAGE RATING: N/A
CIRCULAR MIL AREA: 6.64-10.5mm²[13,100-20,800] SOLID OR STRANDED

THIS DRAWING IS A CONTROLLED DOCUMENT.	
DIMENSIONS: mm [INCHES]	TOLERANCES UNLESS OTHERWISE SPECIFIED:
	0 PLC ± -
	1 PLC ± -
	2 PLC ± -
	3 PLC ± 0.20 [.008]
	4 PLC ± -
	ANGLES ± -
MATERIAL	FINISH
2	3

DWN	RAGHAVENDRA	20OCT10
CHK	ROHDE DANIEL	20OCT10
APVD	ROHDE DANIEL	20OCT10
PRODUCT SPEC	-	-
APPLICATION SPEC	-	-
WEIGHT	-	-

STE TE Connectivity			
NAME TERMINAL, RING TONGUE SOLISTRAND STRATOTHERM 8 AWG, M10			
SIZE	CAGE CODE	DRAWING NO	RESTRICTED TO
A3	00779	C-134962	-
CUSTOMER DRAWING		SCALE	SHEET
		4:1	1 OF 1
		REV	A2

单击下面可查看定价，库存，交付和生命周期等信息

[>>TE Connectivity\(泰科\)](#)