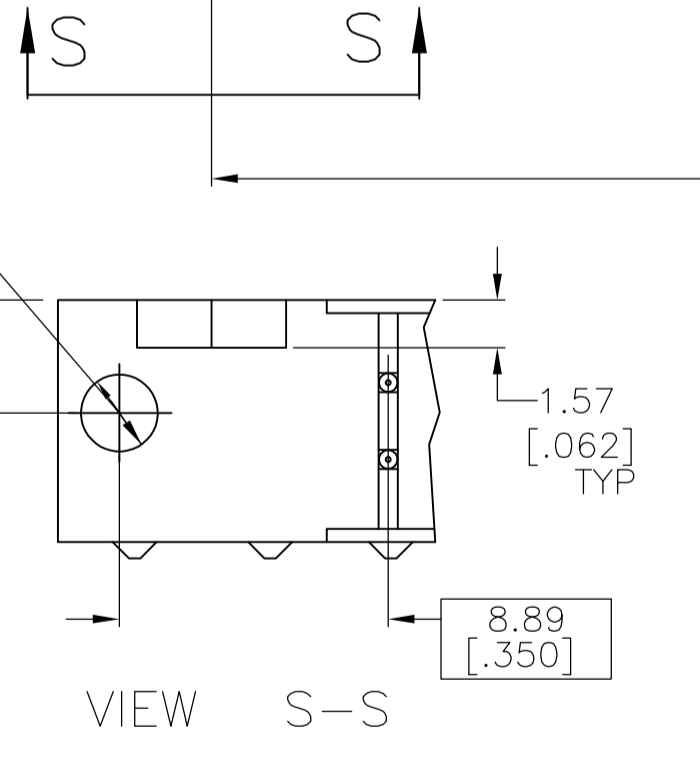
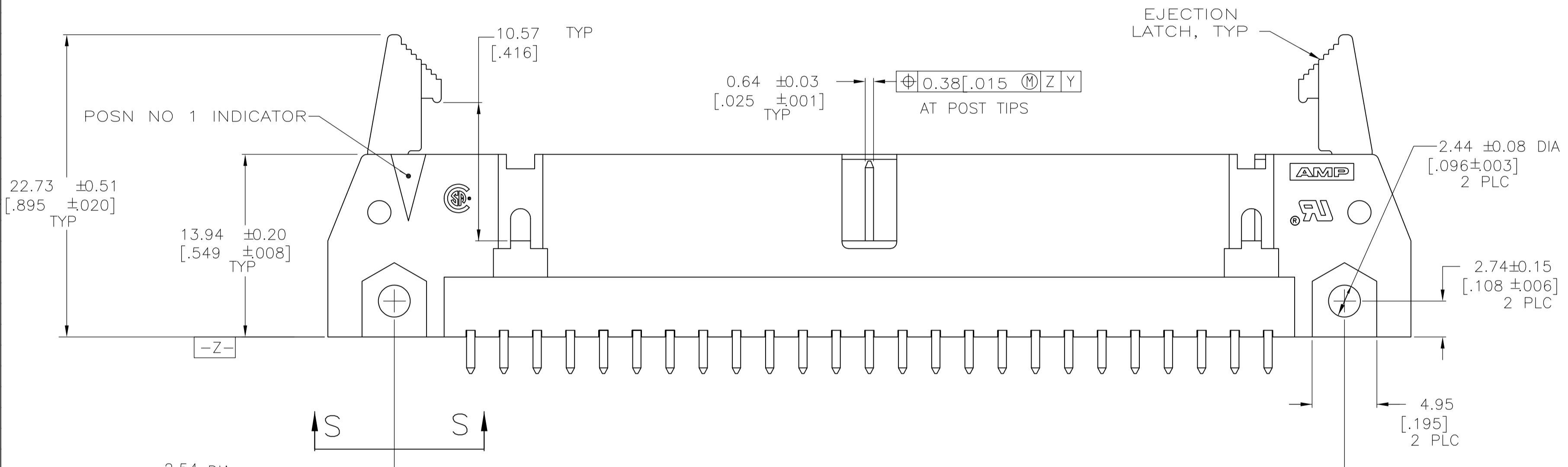
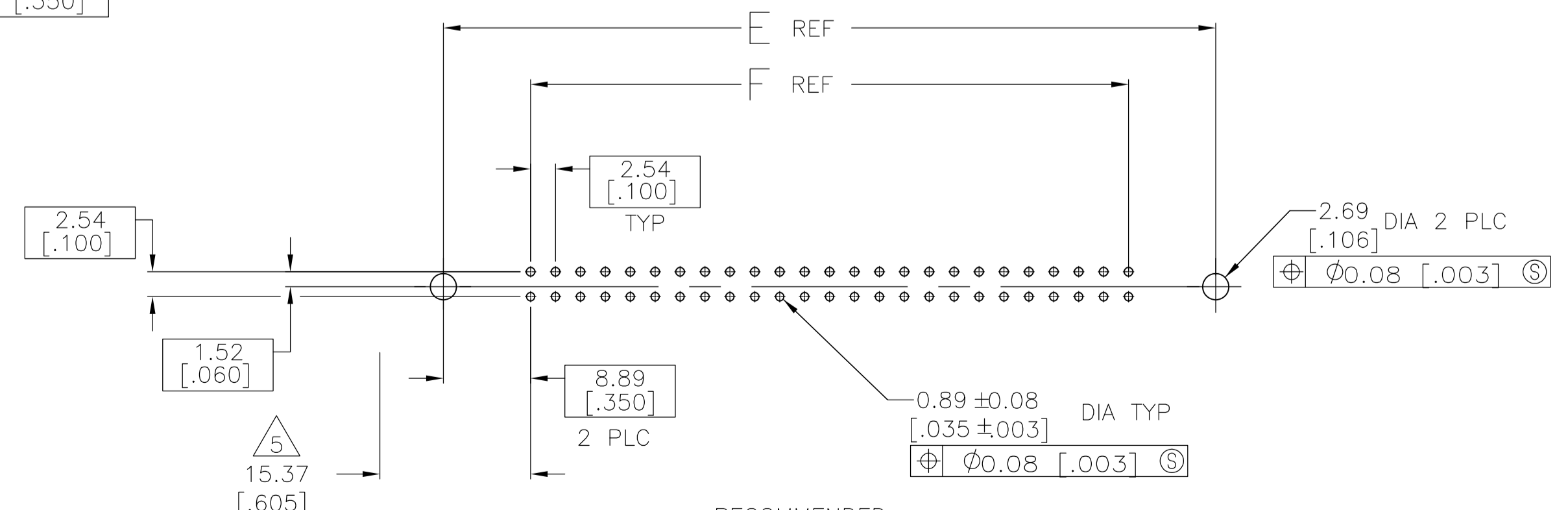


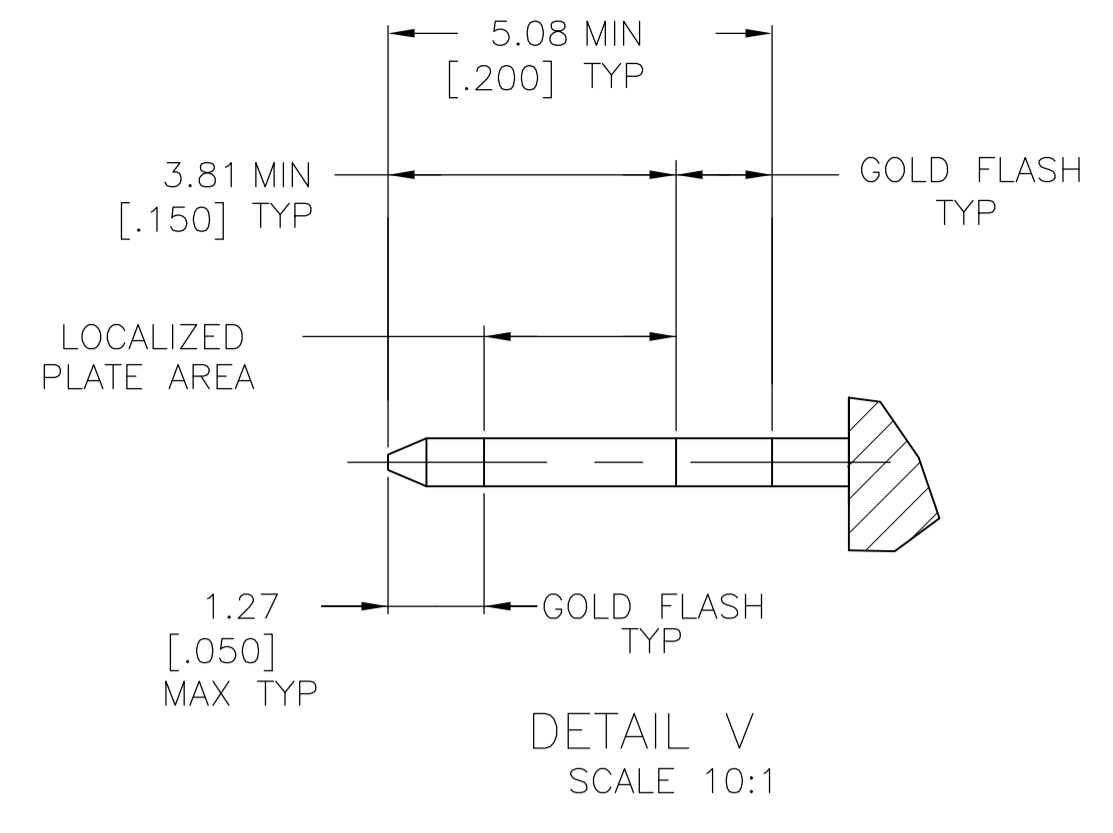
EJECTION LATCHES OMITTED IN THIS VIEW FOR CLARITY



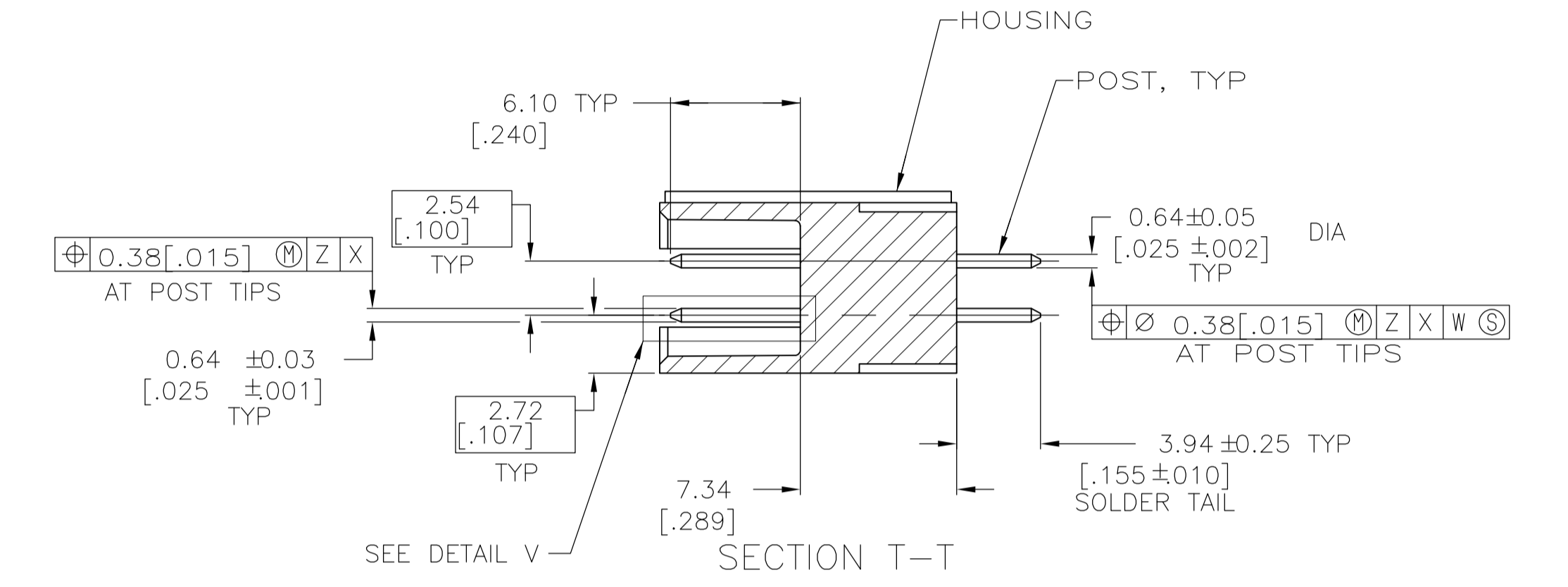
VIEW S-S



RECOMMENDED PC BOARD MOUNTING DIMENSIONS SCALE 2:1



DETAIL V SCALE 10:1



SECTION T-T

- 1 COORDINATE DIMENSION APPLIES FROM BASIC LOCATION.
- 2 10 AND 14 POSITION SIZES CONTAIN ONLY ONE SLOT FOR SNAP-IN POLARIZER (MILITARY POLARIZATION) LOCATED AS SHOWN.
- 3 10 POSITION SIZES CONTAIN ONLY ONE SLOT FOR DUAL POLARIZATION, LOCATED AS SHOWN.
- 4 RECOMMENDED PRINTED CIRCUIT BOARD THICKNESS IS 3.18 [.125].
- 5 DISTANCE REQUIRED BY EJECTION LATCHES IN THE OPEN POSITION.
- 7 MOLDED PARTS: GLASS FILLED NYLON OR POLYESTER, 94V-0 RATED; BLACK. POSTS: PHOSPHOR BRONZE OR BRASS.
- 8 POSTS: GOLD FLASH OVER PALLADIUM-NICKEL PLATE 0.38µm [.000015] MIN TOTAL ON THE LOCALIZED PLATE AREA, 2.54µm [.000100] MIN TIN-LEAD PLATE ON THE SOLDER-TAIL, 1.27µm [.000050] MIN NICKEL UNDERPLATE ON THE ENTIRE POST. OR 0.38µm [.000015] MIN GOLD PLATE ON THE LOCALIZED PLATE AREA, 2.54µm [.000100] MIN TIN-LEAD PLATE ON THE SOLDER-TAIL, 1.27µm [.000050] MIN NICKEL UNDERPLATE ON THE ENTIRE POST.

9 OBSOLETE PARTS: OBSOLETE CIS STREAMLINING PER D.RENAUD/D.SINISI

9	SUPERCEDED BY 5678009-8	20	27.94 [1.100]	45.72 [1.800]	39.62 [1.560]	49.78 [1.960]	45.72 [1.800]	35.56 [1.400]	24	-678009-8
		2	10.16 [.400]	27.94 [1.100]	21.84 [.860]	32.00 [1.260]	27.94 [1.100]	17.78 [.700]	10	678009-7
		5	40.64 [1.600]	58.42 [2.300]	52.32 [2.060]	62.48 [2.460]	58.42 [2.300]	48.26 [1.900]	34	678009-6
9	SUPERCEDED BY 5678009-5	25	60.96 [2.400]	78.74 [3.100]	72.64 [2.860]	82.80 [3.260]	78.74 [3.100]	68.58 [2.700]	50	-678009-5
9	SUPERCEDED BY 5678009-4	8	48.26 [1.900]	66.04 [2.600]	59.94 [2.360]	70.10 [2.760]	66.04 [2.600]	55.88 [2.200]	40	-678009-4
9	SUPERCEDED BY 5678009-3	19	22.86 [.900]	40.64 [1.600]	34.54 [1.360]	44.70 [1.760]	40.64 [1.600]	30.48 [1.200]	20	-678009-3
9	SUPERCEDED BY 5678009-2	16	22.86 [.900]	40.64 [1.600]	34.54 [1.360]	44.70 [1.760]	40.64 [1.600]	30.48 [1.200]	20	-678009-2
9	SUPERCEDED BY 5678009-1	10	10.16 [.400]	27.94 [1.100]	21.84 [.860]	32.00 [1.260]	27.94 [1.100]	17.78 [.700]	10	-678009-1
	PIN NO OMITTED	F	E	D	C	B	A	NO OF POSN		PART NUMBER

THIS DRAWING IS A CONTROLLED DOCUMENT. DIN T. SHUEY 9-12-97  
 CHK H. ROSE 10-2-97  
 APVD H. ROSE 10-2-97  
 NAME Tyco Electronics Corporation Harrisburg, PA 17105-3608  
 PRODUCT SPEC 108-40018  
 APPLICATION SPEC  
 HEADER ASSEMBLY, UNIVERSAL, AMP LATCH  
 DIMENSIONS: mm (INCHES) TOLERANCES UNLESS OTHERWISE SPECIFIED:  
 0 PLC ± -  
 1 PLC ± -  
 2 PLC ± -  
 3 PLC ± 0.13 [.005]  
 4 PLC ± -  
 ANGLES ± -  
 MATERIAL FINISH  
 WEIGHT  
 SIZE CAGE CODE DRAWING NO RESTRICTED TO  
 A1 00779 678009  
 CUSTOMER DRAWING SCALE 4:1 SHEET 1 OF 1 REV E

单击下面可查看定价，库存，交付和生命周期等信息

[>>TE Connectivity\(泰科\)](#)