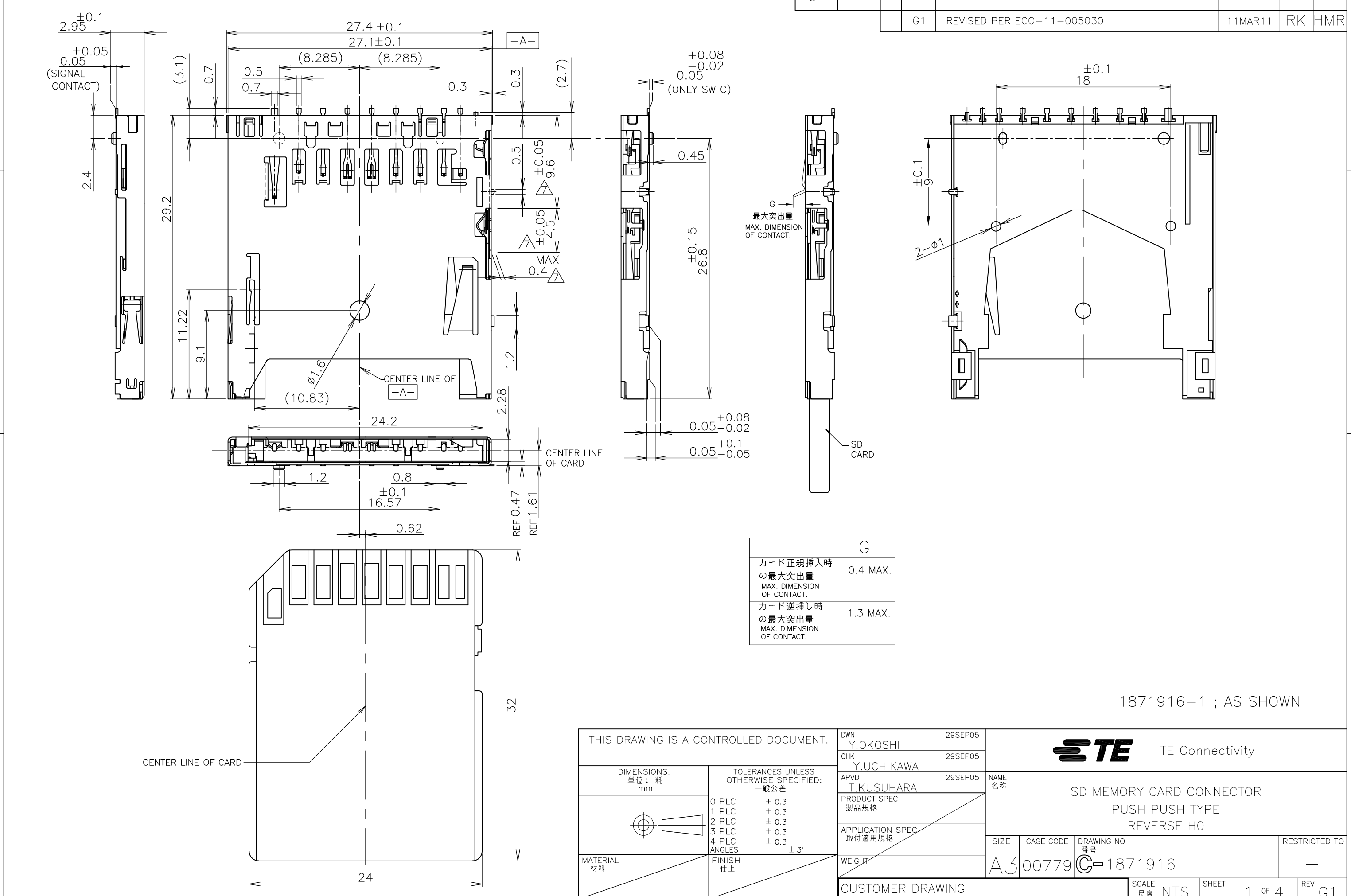



THIS DRAWING IS UNPUBLISHED. RELEASED FOR PUBLICATION
 © COPYRIGHT - By - ALL RIGHTS RESERVED.

LOC	DIST	REVISIONS					
		P	LTR	DESCRIPTION	DATE	DWN	APVD
J	-		G1	REVISED PER ECO-11-005030	11MAR11	RK	HMR

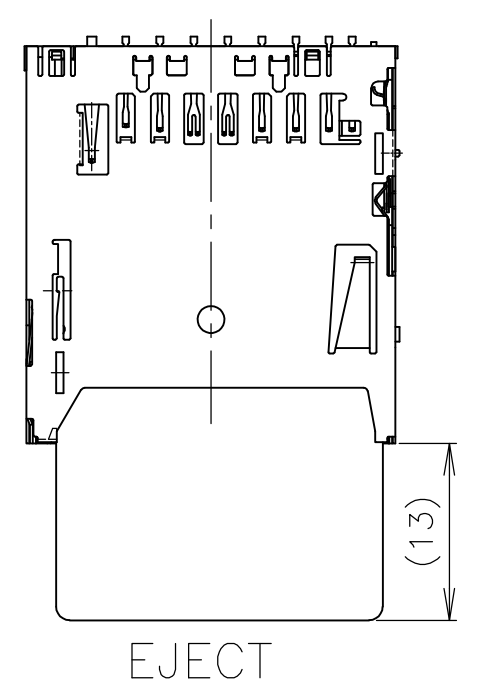
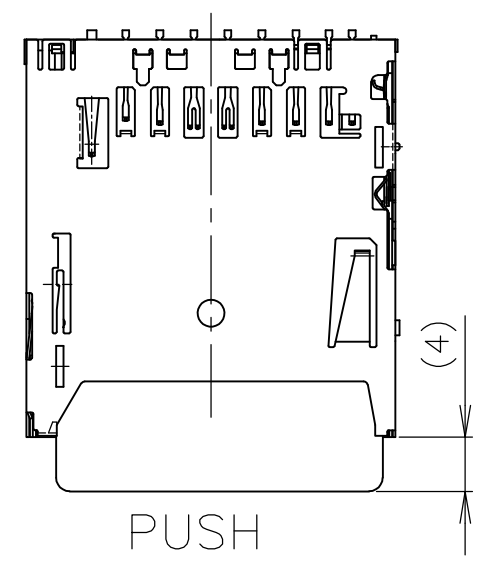
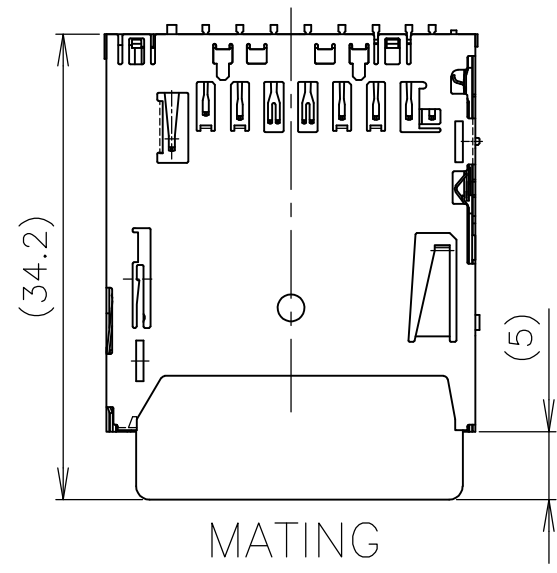


1871916-1 ; AS SHOWN

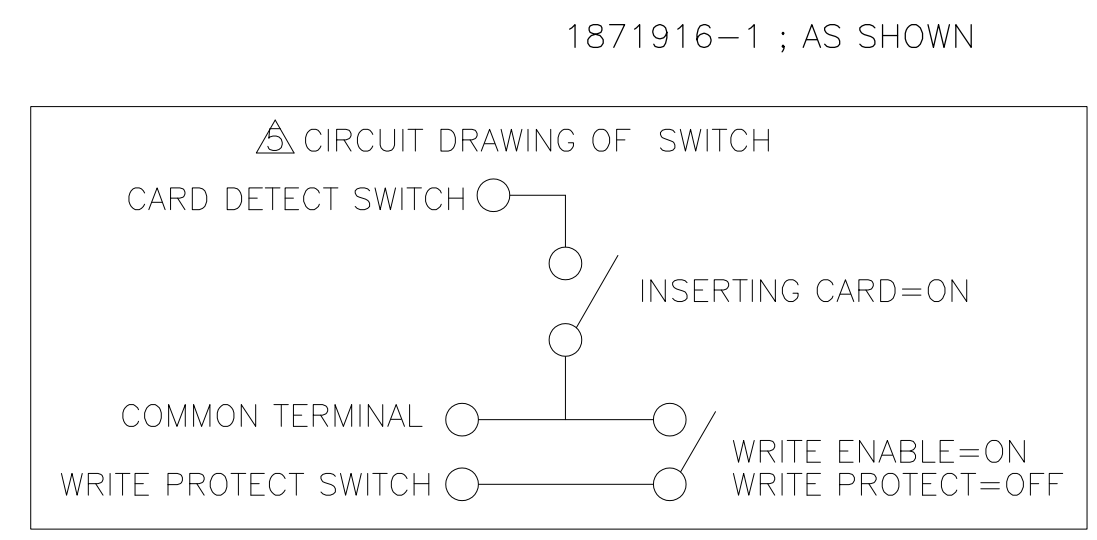
THIS DRAWING IS A CONTROLLED DOCUMENT.		DWN Y.OKOSHI 29SEP05	 TE Connectivity	
DIMENSIONS: 単位: 耗 mm		CHK Y.UCHIKAWA 29SEP05		
TOLERANCES UNLESS OTHERWISE SPECIFIED: 一般公差		APVD T.KUSUHARA 29SEP05	NAME 名称	
0 PLC ± 0.3		SD MEMORY CARD CONNECTOR		
1 PLC ± 0.3		PUSH PUSH TYPE		
2 PLC ± 0.3		REVERSE H0		
3 PLC ± 0.3		PRODUCT SPEC 製品規格	SIZE A3	CAGE CODE 00779
4 PLC ± 0.3		APPLICATION SPEC 取付適用規格	DRAWING NO 番号 G-1871916	RESTRICTED TO
ANGLES ± 3'		WEIGHT	SCALE 尺度 NTS	
MATERIAL 材料	FINISH 仕上	CUSTOMER DRAWING		SHEET 1 OF 4
				REV G1

THIS DRAWING IS UNPUBLISHED. RELEASED FOR PUBLICATION
 © COPYRIGHT - By - ALL RIGHTS RESERVED.

LOC	DIST	REVISIONS					
		P	LTR	DESCRIPTION	DATE	DWN	APVD
J	-	-	-	SEE SHEET 1	-	-	-



- 注記
- △ カード認識スイッチ用
 - △ コモン端子用
 - △ ライトプロテクトスイッチ用
 - 4 カード挿入時の接触の順番
 PIN #3,4 → PIN #2,5,6,7,8,9
 カード認識スイッチ ← PIN #1 ←
 - △ スwitchの回路図
 - 6 本製品は浸漬による洗浄は行わないこと。
 - 7 適合基板厚 0.6±0.1mm
 - 8 コプラナリティは、0.1mm以下。
 - 9 材料
 ハウジング : LCP樹脂、UL94V-0、黒色
 コンタクト : 銅合金
 シェル : 銅合金 (t=0.2)
 - 10 仕上げ
 コンタクト : 接点部 : Ni下地めっき 2~4μm、Auめっき0.2~0.5μm。
 タイム : Snめっき 2~4μm。(無光沢)
 タイム : Auめっき 0.05~0.13μm。(コモン端子)
 シェル : Cu 0.5μm.MIN. Snめっき(前めっき リフロー処理) 1μm.MIN.

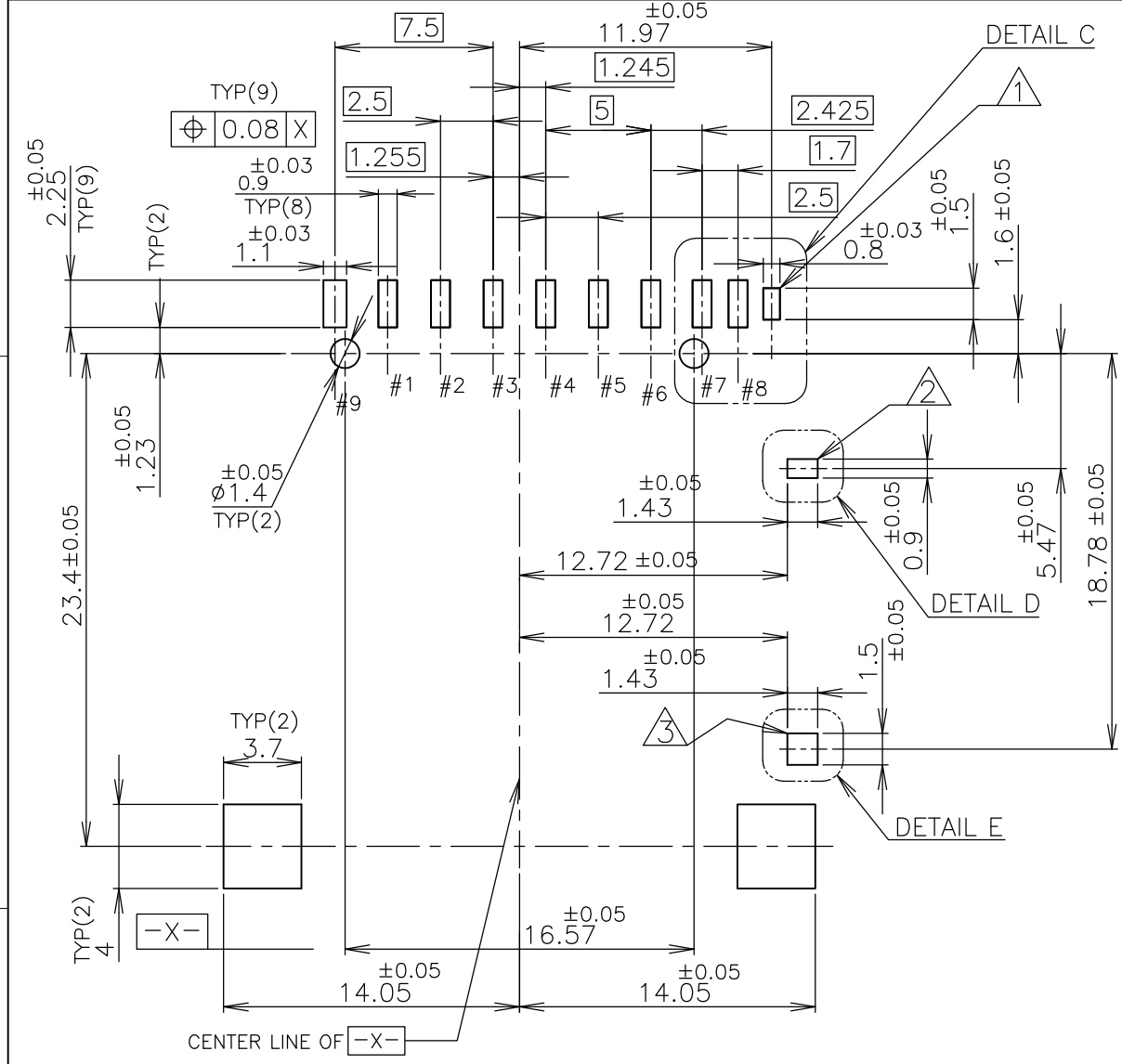


- NOTE
- △ FOR CARD DETECT SWITCH
 - △ FOR COMMON TERMINAL
 - △ FOR WRITE PROTECT SWITCH
 - 4 THE SEQUENCE OF CONTACT DURING CARD INSERTION
 PIN #3,4 → PIN #2,5,6,7,8,9
 CARD DETECT SWITCH ← PIN #1 ←
 - △ CIRCUIT DRAWING OF SWITCH
 - 6 DON'T WASH BY IMMERSING THE CONNECTOR IN FLUID
 - 7 APPLICABLE BOARD THICKNESS :0.8±0.1mm
 - 8 COPLANARITY IS 0.1MAX.
 - 9 MATERIAL
 HOUSING : LCP,UL94V-0,BLACK
 CONTACT : COPPER ALLOY
 SHELL : COPPER ALLOY (t=0.2)
 - 10 FINISH
 CONTACT : CONTACT AREA:Ni UNDER PLATING 2~4μm. Au PLATING 0.2~0.5μm。
 TIME : Sn PLATING 2~4μm。(NON LUSTER)
 TIME : Au PLATING 0.05~0.13μm。(COMMON TERMINAL)
 SHELL : Cu 0.5μm.MIN. Sn PLATING(PRE-TIN REFLOW) 1μm.MIN.

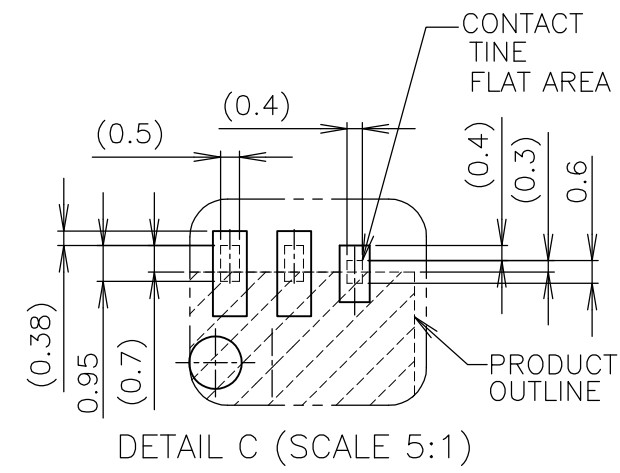
THIS DRAWING IS A CONTROLLED DOCUMENT.		DWN	STE TE Connectivity		
DIMENSIONS: 単位: 耗 mm		CHK			
TOLERANCES UNLESS OTHERWISE SPECIFIED: 一般公差		APVD	NAME 名称 SD MEMORY CARD CONNECTOR PUSH PUSH TYPE REVERSE H0		
0 PLC ± 0.3		PRODUCT SPEC 製品規格	SIZE	CAGE CODE	DRAWING NO 番号
1 PLC ± 0.3		APPLICATION SPEC 取付適用規格	A3	00779	G-1871916
2 PLC ± 0.3		WEIGHT	RESTRICTED TO		
3 PLC ± 0.3		CUSTOMER DRAWING			
4 PLC ± 0.3		SCALE 尺度 NTS		SHEET 2 OF 4	REV G1
ANGLES ± 3'					
MATERIAL 材料	FINISH 仕上				

THIS DRAWING IS UNPUBLISHED. RELEASED FOR PUBLICATION
 © COPYRIGHT - By - ALL RIGHTS RESERVED.

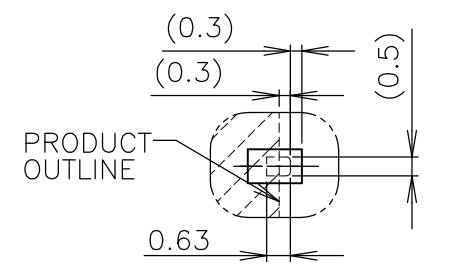
LOC	DIST	REVISIONS			DATE	DWN	APVD
J	-	P	LTR	DESCRIPTION			
		-	-	SEE SHEET 1	-	-	-



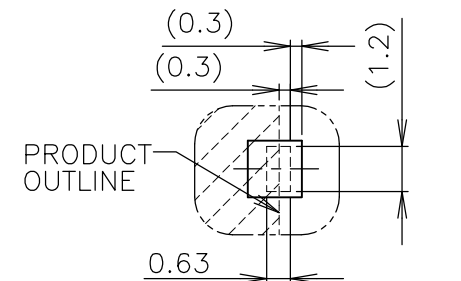
PCB PATTERN LAYOUT(REFERENCE)
 (VIEW FROM CONNECTOR MOUNT SIDE)



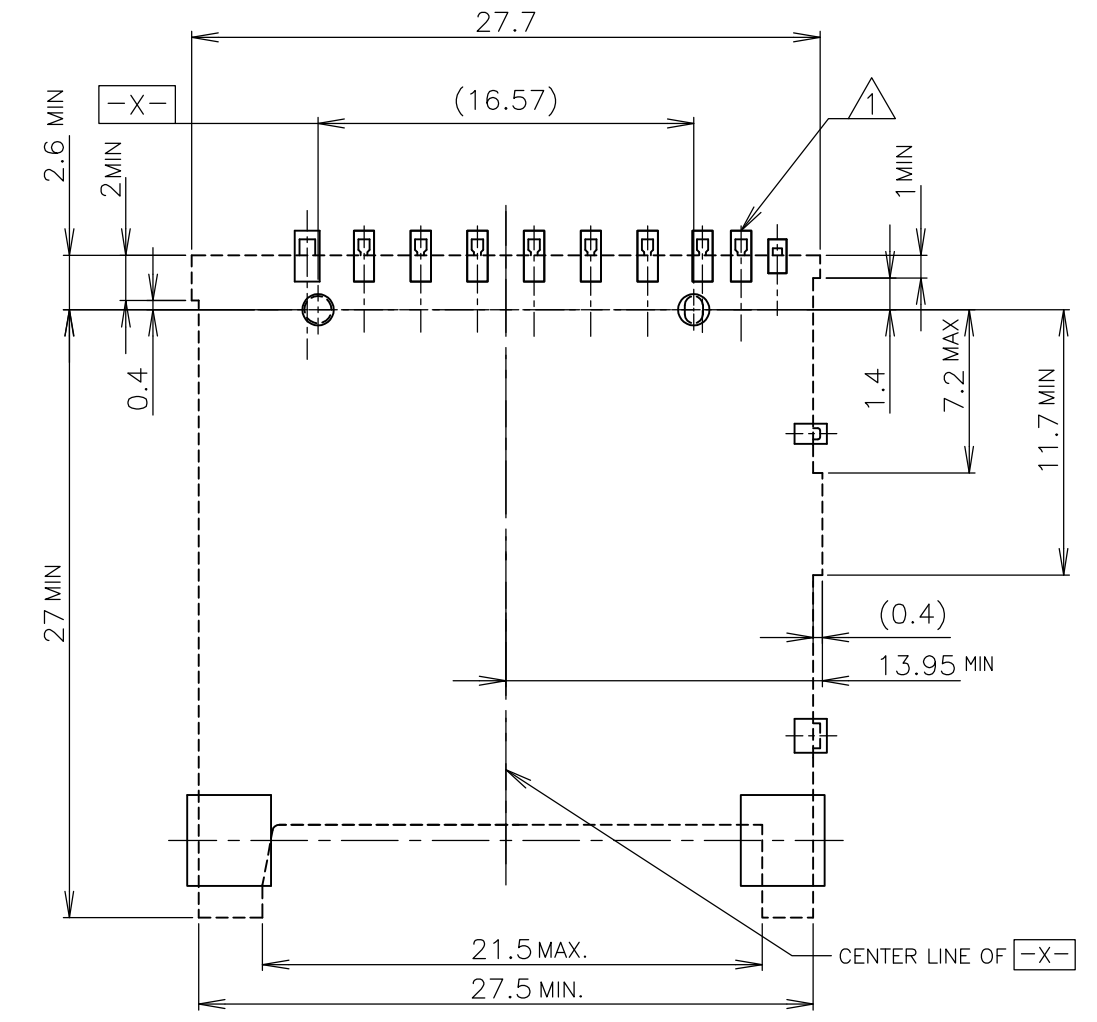
DETAIL C (SCALE 5:1)



DETAIL D (SCALE 5:1)

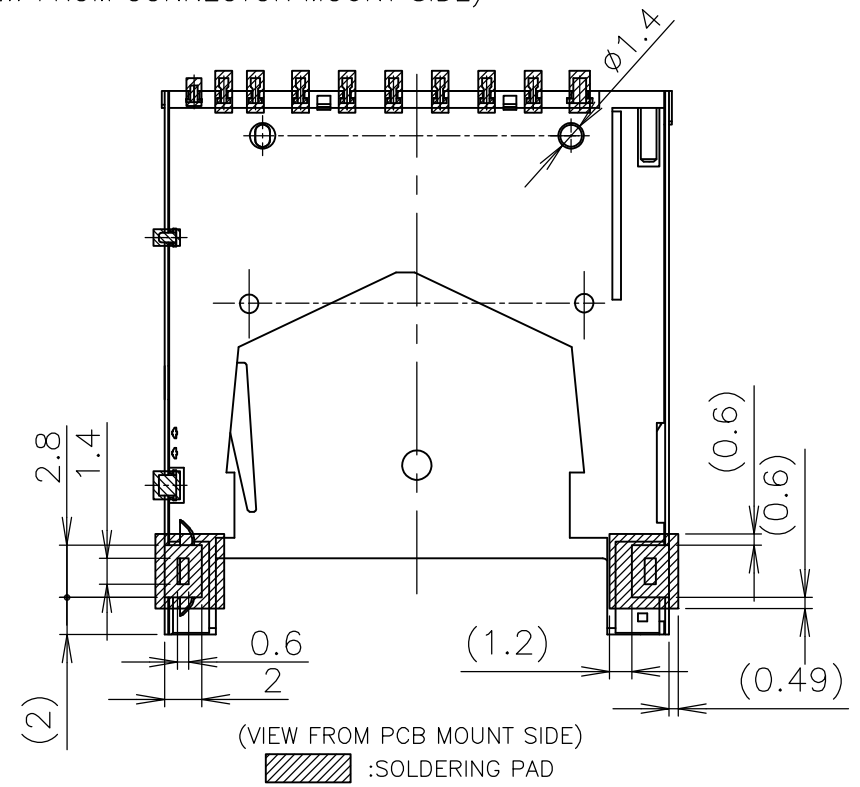


DETAIL E (SCALE 5:1)



(VIEW FROM CONNECTOR MOUNT SIDE)

▨ : COMPONENT PROHIBITION AREA
 □ : SOLDERING PAD

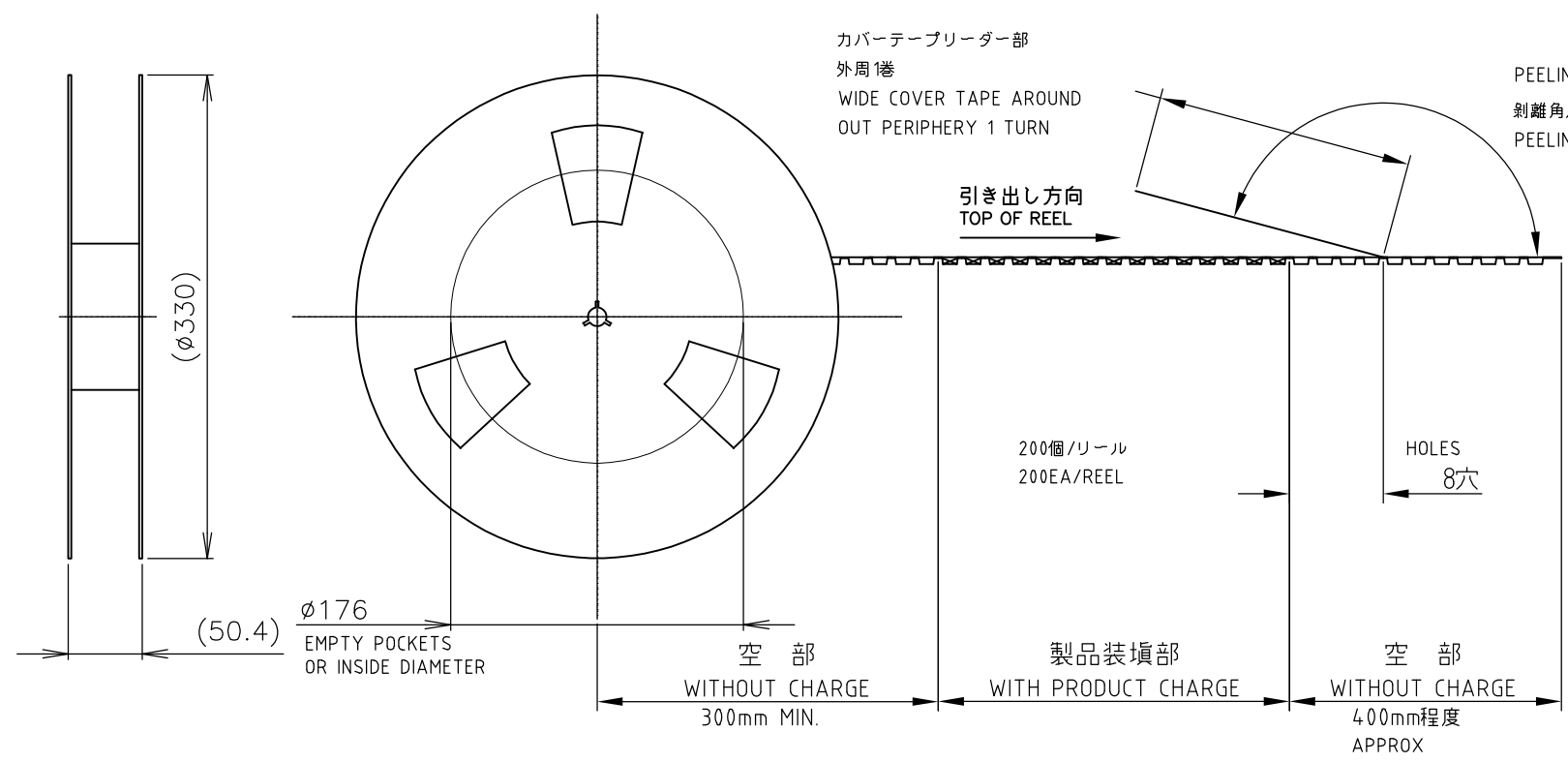
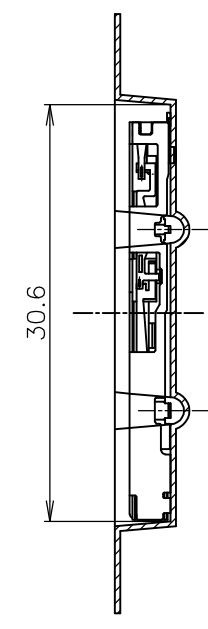
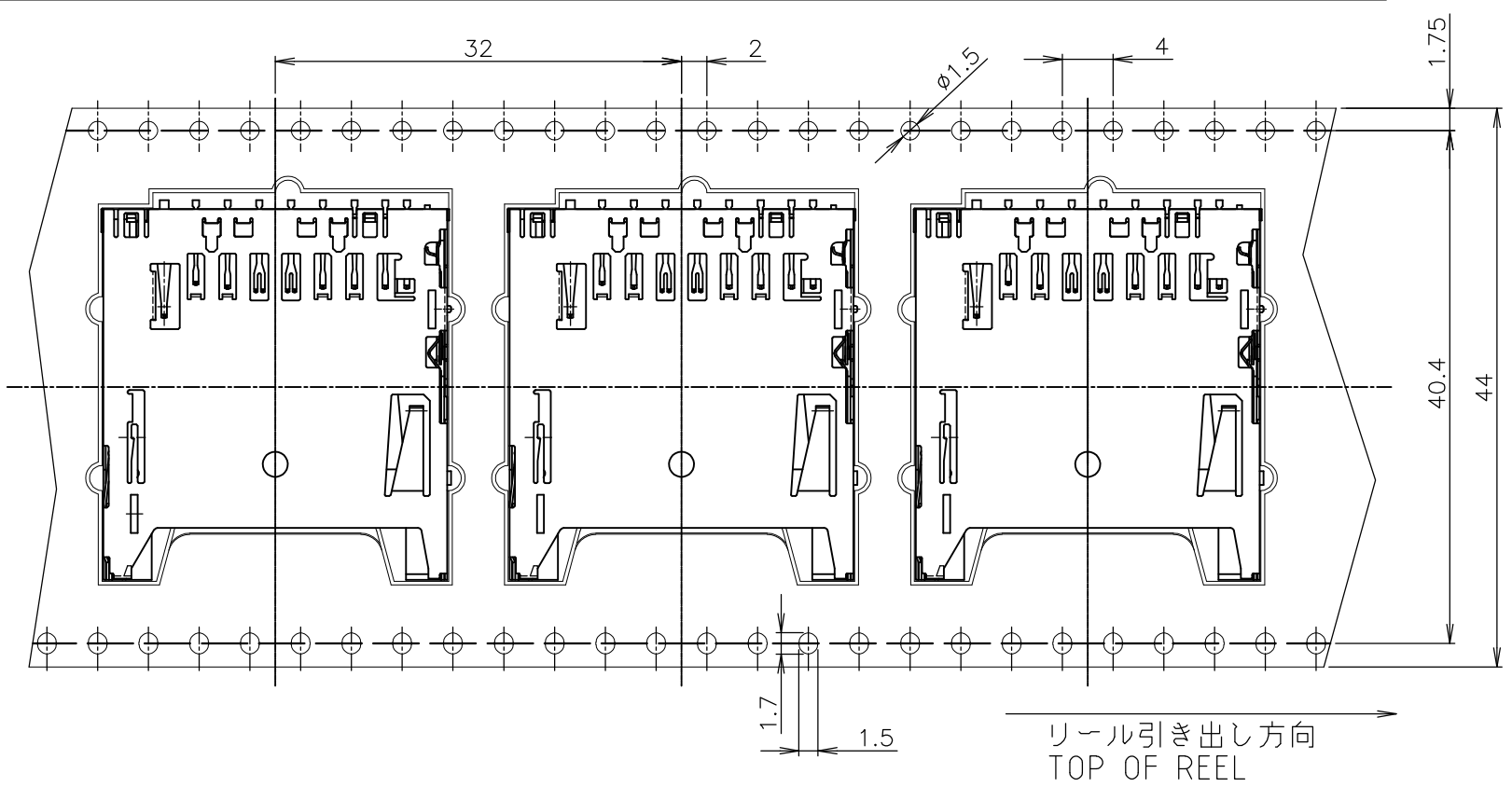


(VIEW FROM PCB MOUNT SIDE)
 ▨ : SOLDERING PAD

THIS DRAWING IS A CONTROLLED DOCUMENT.		DWN	TE Connectivity SD MEMORY CARD CONNECTOR PUSH PUSH TYPE REVERSE H0			NAME		
DIMENSIONS: 單位: 耗 mm		CHK				PRODUCT SPEC	製品規格	名称
TOLERANCES UNLESS OTHERWISE SPECIFIED: 一般公差		APVD				APPLICATION SPEC	取付適用規格	名称
0 PLC ± 0.3 1 PLC ± 0.3 2 PLC ± 0.3 3 PLC ± 0.3 4 PLC ± 0.3 ANGLES ± 3°		WEIGHT				SIZE	CAGE CODE	DRAWING NO
MATERIAL	FINISH	CUSTOMER DRAWING			SCALE	SHEET	REV	
材料	仕上				尺度	NTS	3 OF 4	G1

THIS DRAWING IS UNPUBLISHED. RELEASED FOR PUBLICATION
 © COPYRIGHT - By - ALL RIGHTS RESERVED.

LOC	DIST	REVISIONS					
		P	LTR	DESCRIPTION	DATE	DWN	APVD
J	-	-	-	SEE SHEET 1	-	-	-



THIS DRAWING IS A CONTROLLED DOCUMENT.		DWN	STE TE Connectivity	
DIMENSIONS: 単位: 耗 mm		CHK		
TOLERANCES UNLESS OTHERWISE SPECIFIED: 一般公差		APVD	NAME 名称	
0 PLC ± 0.3		PRODUCT SPEC	SD MEMORY CARD CONNECTOR	
1 PLC ± 0.3		製品規格	PUSH PUSH TYPE	
2 PLC ± 0.3		APPLICATION SPEC	REVERSE H0	
3 PLC ± 0.3		取付適用規格	SIZE	CAGE CODE
4 PLC ± 0.3		WEIGHT	A3	00779
ANGLES ± 3°		DRAWING NO		RESTRICTED TO
FINISH 仕上		G-1871916		-
MATERIAL 材料		CUSTOMER DRAWING		SCALE 尺度 NTS
		SHEET 4 OF 4		REV G1

单击下面可查看定价，库存，交付和生命周期等信息

[>>TE Connectivity\(泰科\)](#)