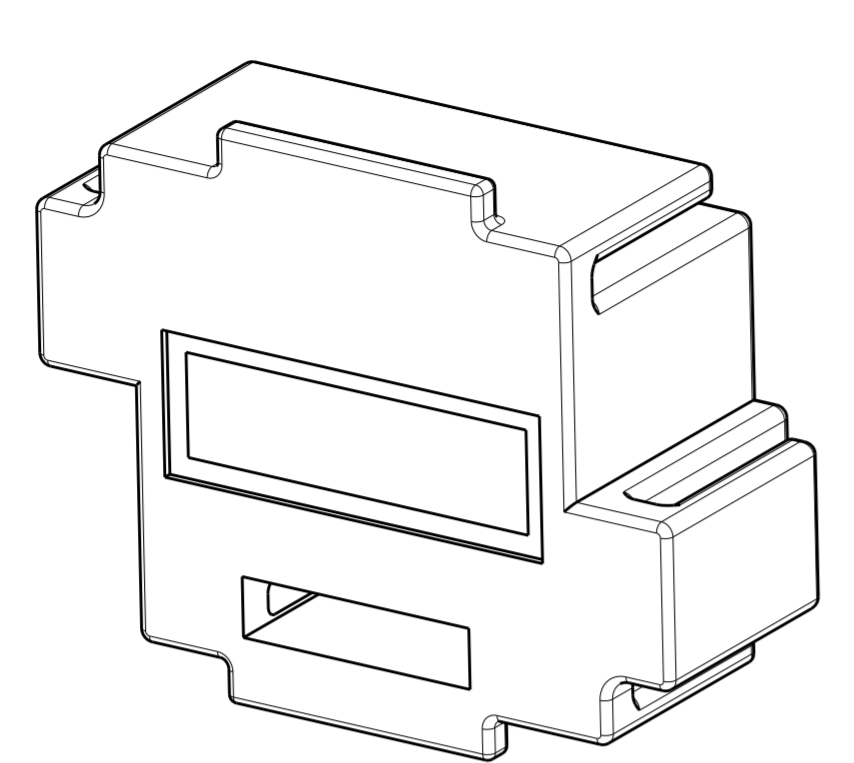
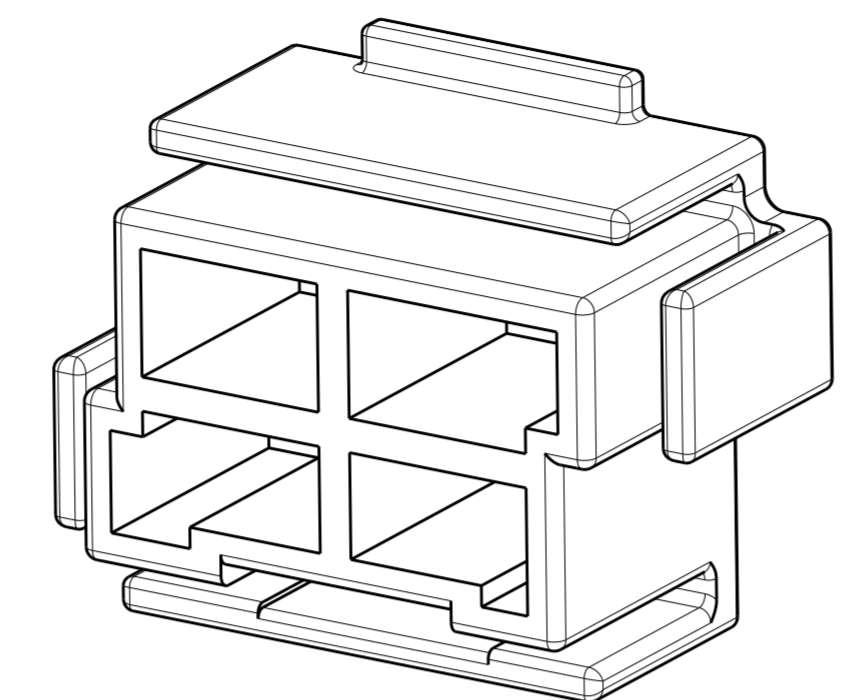


THIS DRAWING IS UNPUBLISHED. RELEASED FOR PUBLICATION 20
 © COPYRIGHT 20 BY TYCO ELECTRONICS CORPORATION. ALL RIGHTS RESERVED.

LOC	DIST	REVISIONS					
GP	00	P	LTR	DESCRIPTION	DATE	DWN	APVD
		B		ECO-10-015550	02AUG10	HMR	JP
		BI		OBSOLETE PER ECO-20-000293	08JAN2020	IT	SH

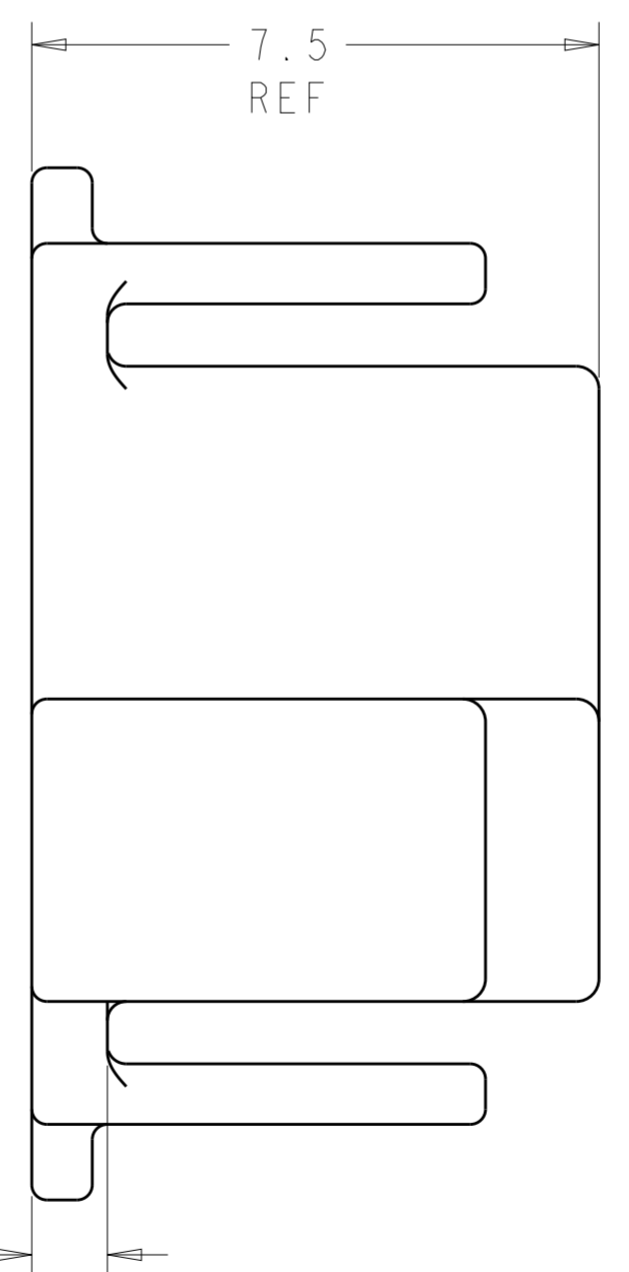
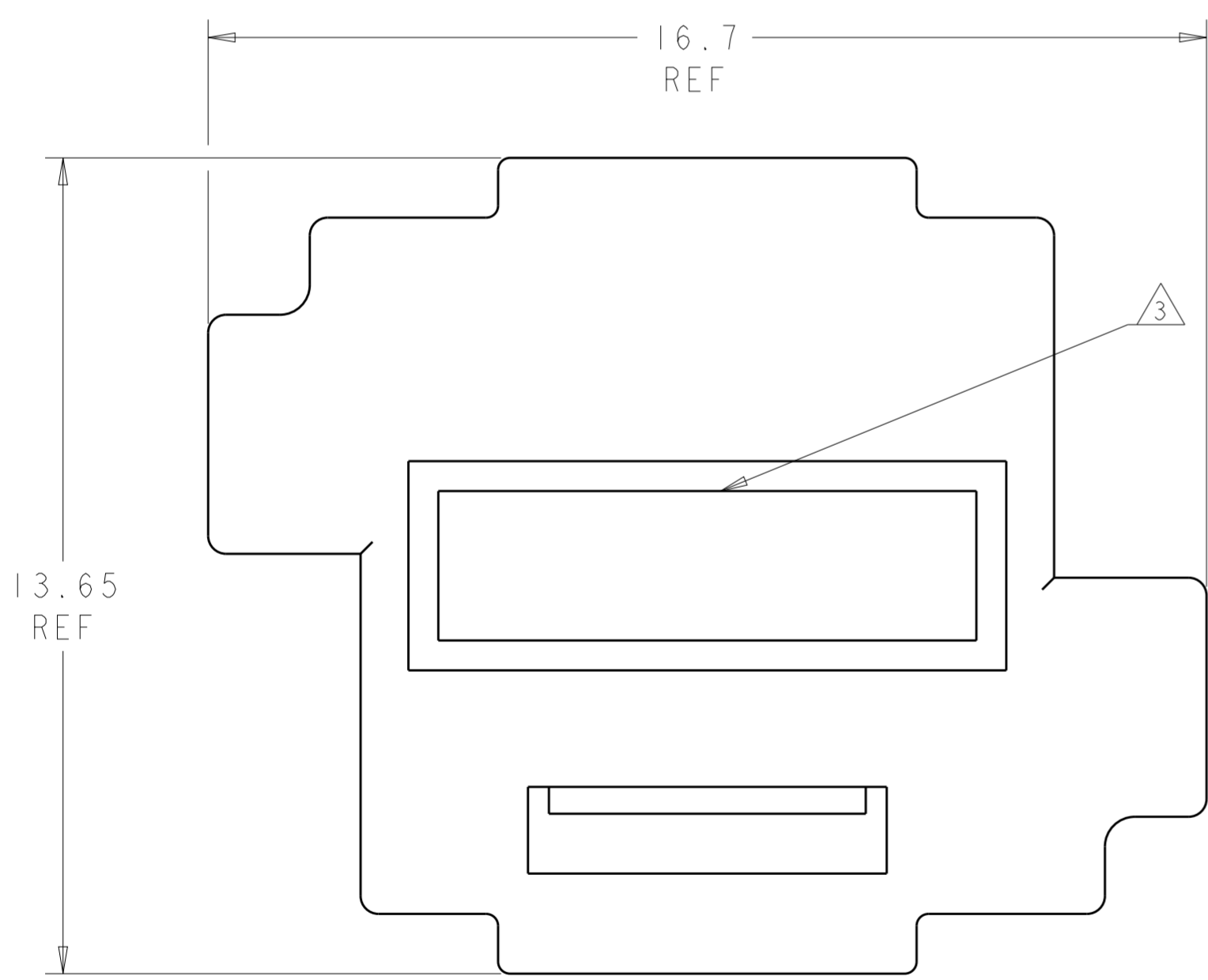


SCALE 6:1



SCALE 6:1

- 1. MATERIAL: PBT
- 2. MUST BE REMOVED FROM PORT OPENING PRIOR TO THE CAGE INSERTION TO THE BEZEL.
- 3. COMPANY LOGO IN APPROXIMATE AREA SHOWN



OBSOLETE 1888402-1
 PART NUMBER

<small>THIS DRAWING IS A CONTROLLED DOCUMENT FOR TYCO ELECTRONICS CORPORATION. IT IS SUBJECT TO CHANGE AND THE CONTROLLING ENGINEERING ORGANIZATION SHOULD BE CONTACTED FOR THE LATEST REVISION.</small>		DWN B. MCMASTER 15AUG07 CHK J. KOPPENHEFFER 15AUG07 APVD J. KOPPENHEFFER 15AUG07	Tyco Electronics Harrisburg, PA 17105-3608
DIMENSIONS: mm 	TOLERANCES UNLESS OTHERWISE SPECIFIED: 0 PLC ± 1 PLC ± 2 PLC ± 3 PLC ± 4 PLC ± ANGLES ± FINISH	PRODUCT SPEC APPLICATION SPEC WEIGHT	NAME PROTECTIVE CAP, SFP+, ENHANCED EMI SIZE CAGE CODE DRAWING NO RESTRICTED TO A200779 C-1888402
MATERIAL 		CUSTOMER DRAWING	SCALE 10:1 SHEET 1 OF 1 REV BI

单击下面可查看定价，库存，交付和生命周期等信息

[>>TE Connectivity\(泰科\)](#)