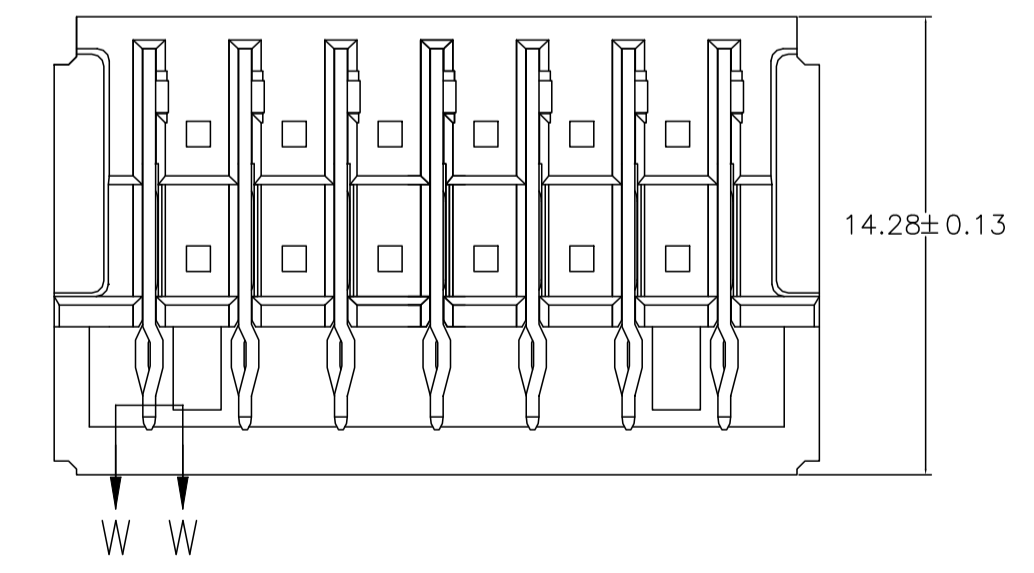
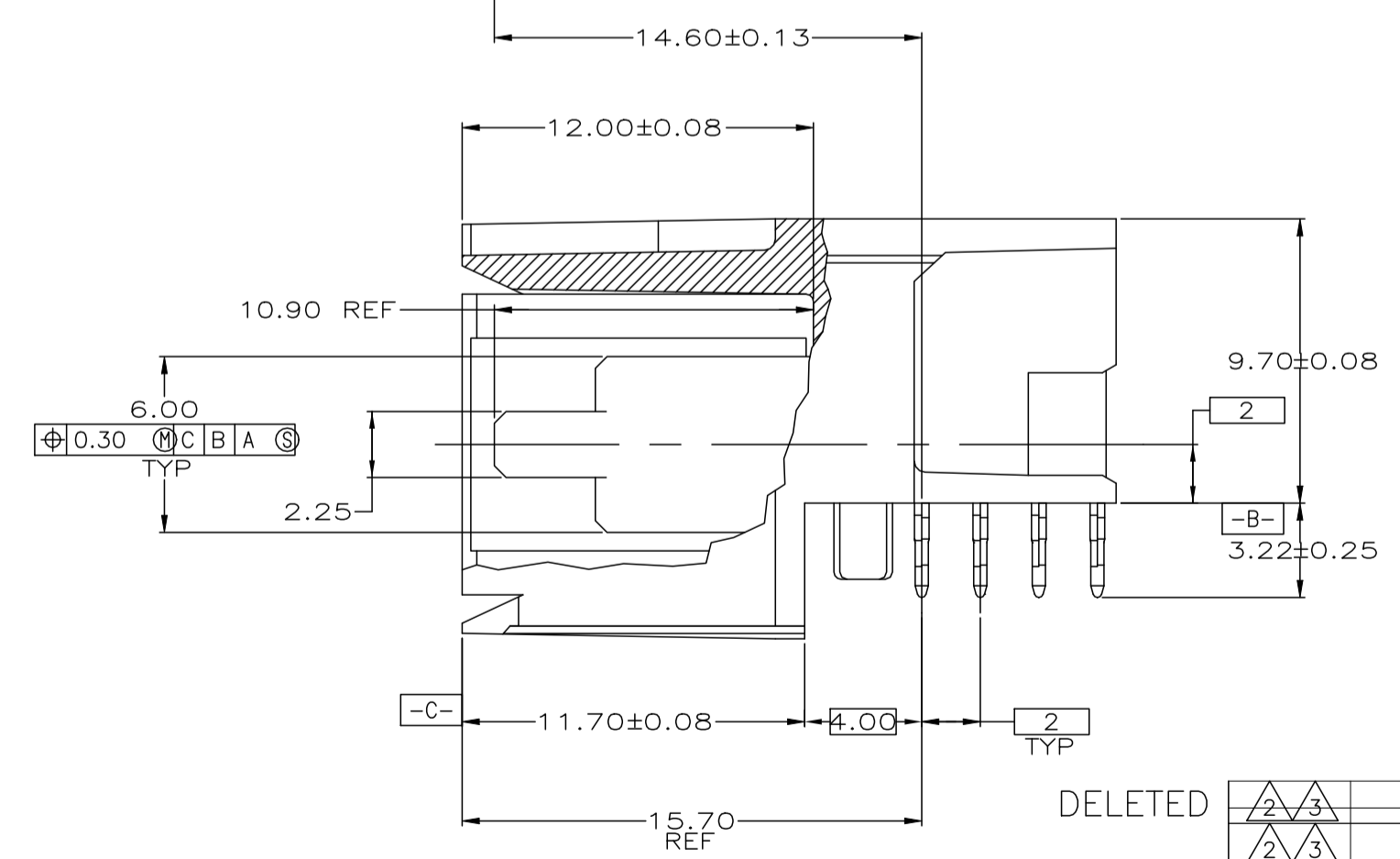
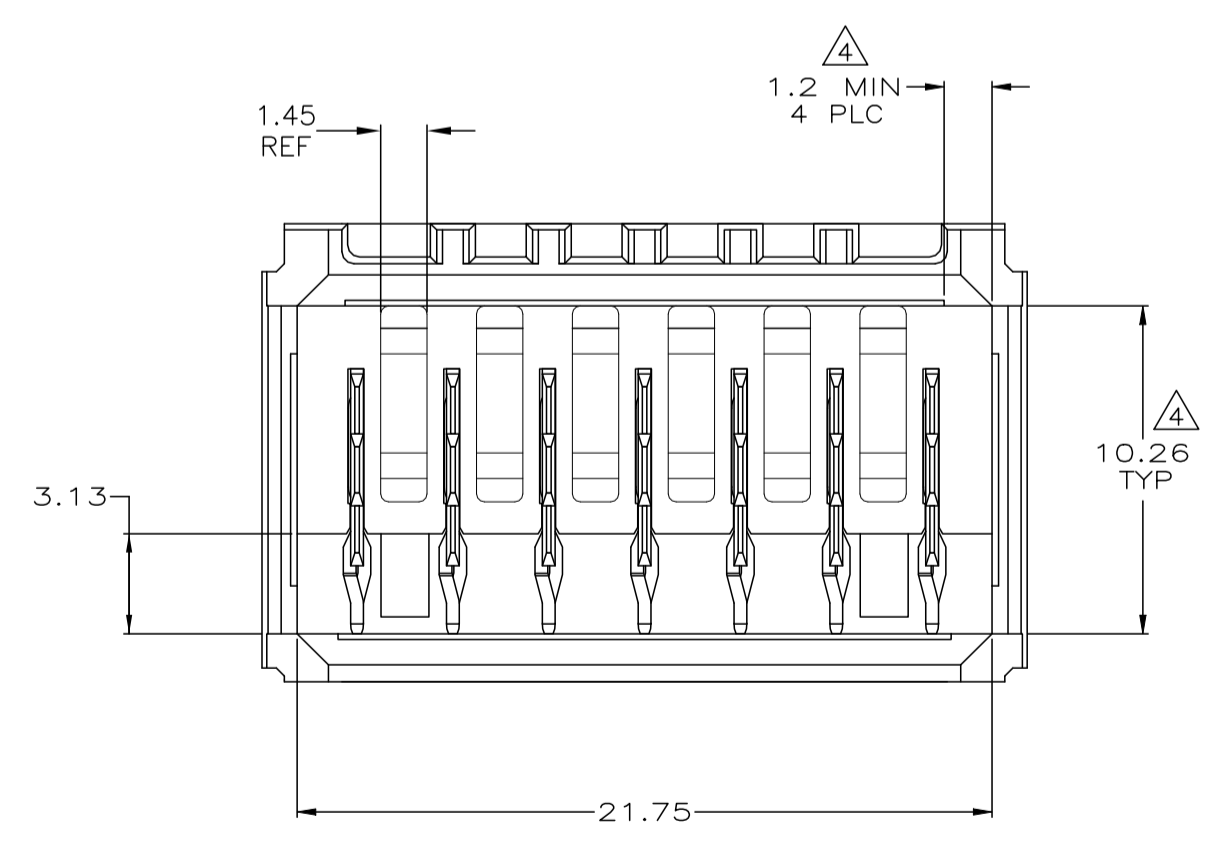
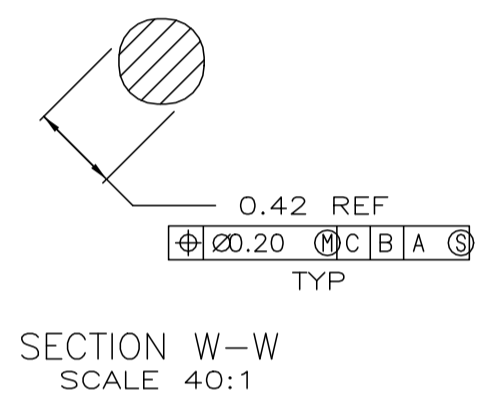


- 1 MATERIAL: HOUSING: POLYESTER. COLOR: GRAY. UL 94V-0. CONTACT: COPPER ALLOY.
- 2 FINISH: IN ACCORDANCE WITH PRODUCT SPECIFICATION 108-1651, GOLD PLATING OR EQUIVALENT PLATING ON PRODUCT CONTACT MATING AREA, AND MATTE TIN PLATING ON COMPLIANT PIN AREA, ALL OVER MATTE NICKEL UNDERPLATED. DETAIL PLEASE REFER TO PRODUCT SPECIFICATION 108-1651.
- 3 FINISH: CONTACT LUBRICATION WITH BELLCORE APPROVED LUBRICANT. TECHNICAL REFERENCE: GR-1217-CORE, ISSUE 1, NOVEMBER 1995.
- 4 THE 10.26±0.13 DIMENSION APPLIES IN THIS AREA.
- 5 REFERENCE APPLICATION SPEC 114-1103 FOR RECOMMENDED PLATED THRU HOLE DIAMETER AND PLATING THICKNESS.
- 6 CURRENT RATING 10A/CONTACT PER PRODUCT SPEC 108-1651.



FINISH	2 3	A	B	C,D,E,F,G	7	5646957-2
	2 3	A,B,C,D,E,F,G	-	-	7	5646957-1
		POSITIONS LOADED WITH 10.90 REF CONTACTS	POSITIONS LOADED WITH 9.30 REF CONTACTS	POSITIONS LOADED WITH 7.68 REF CONTACTS	NO OF LOADED POSITIONS	PART NUMBER

THIS DRAWING IS A CONTROLLED DOCUMENT.

DWG: B.CARBO	150EC04	Tyco Electronics Corporation Harrisburg, Pa 17105-3608
CHK: R.PATTERSON	150EC04	
APP'D: R.PATTERSON	150EC04	NAME: R.PATTERSON
DIMENSIONS: mm		PRODUCT SPEC: 108-1651
TOLERANCES UNLESS OTHERWISE SPECIFIED:		APPLICATION SPEC: 114-1103
0 PLC ± -	1 PLC ± -	SIZE: A1
2 PLC ± 0.13	3 PLC ± -	CAGE CODE: 00779
4 PLC ± -	ANGLES ± -	DRAWING NO: 5646957
MATERIAL: 1	FINISH: 2 3	RESTRICTED TO: -
CUSTOMER DRAWING		SCALE: 6:1
		SHEET: 1 OF 1
		REV: D2

单击下面可查看定价，库存，交付和生命周期等信息

[>>TE Connectivity\(泰科\)](#)