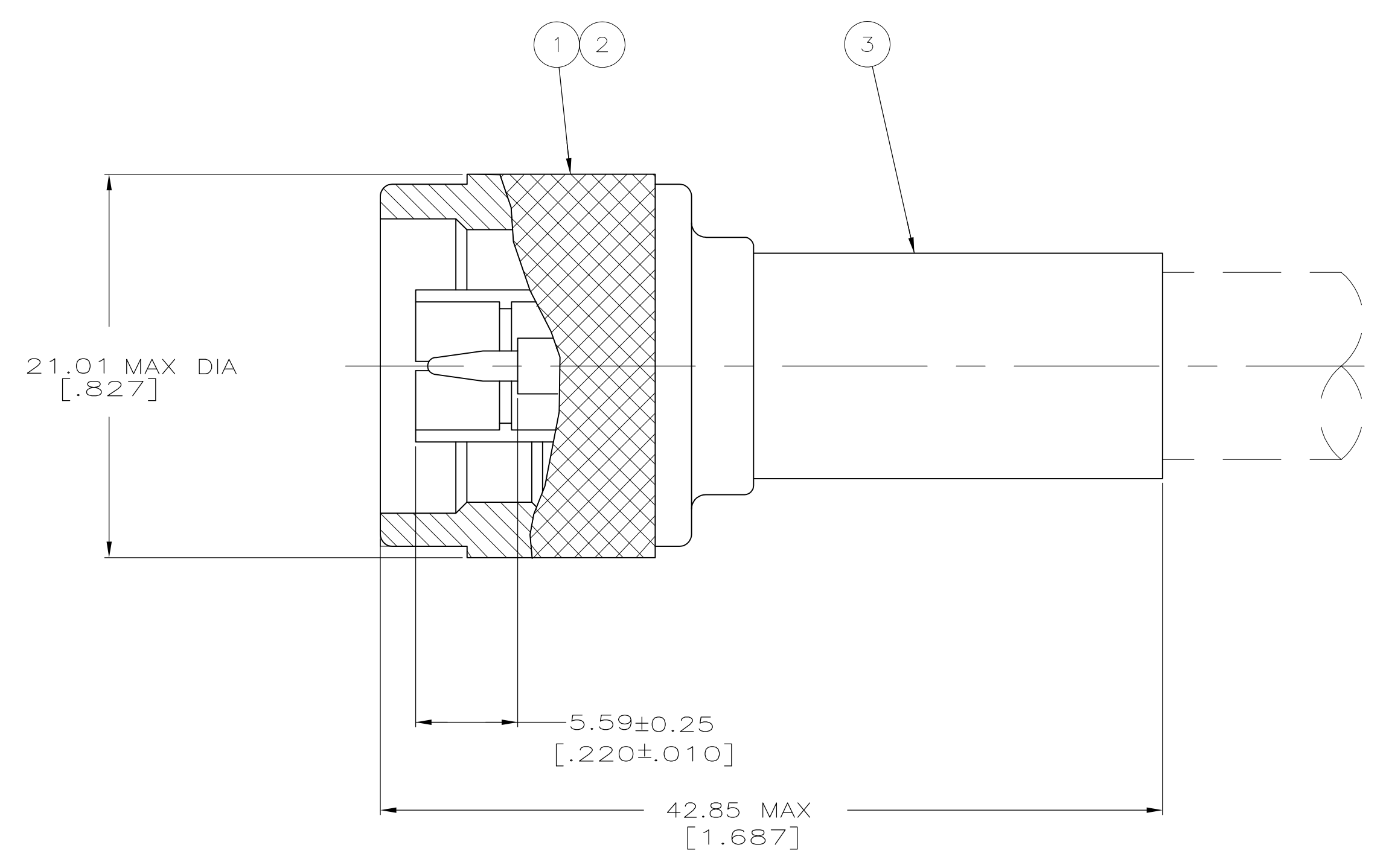
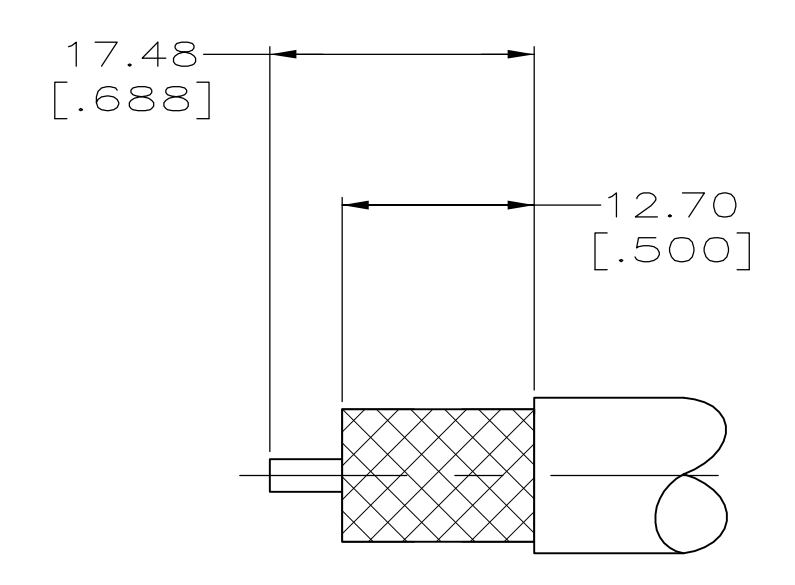


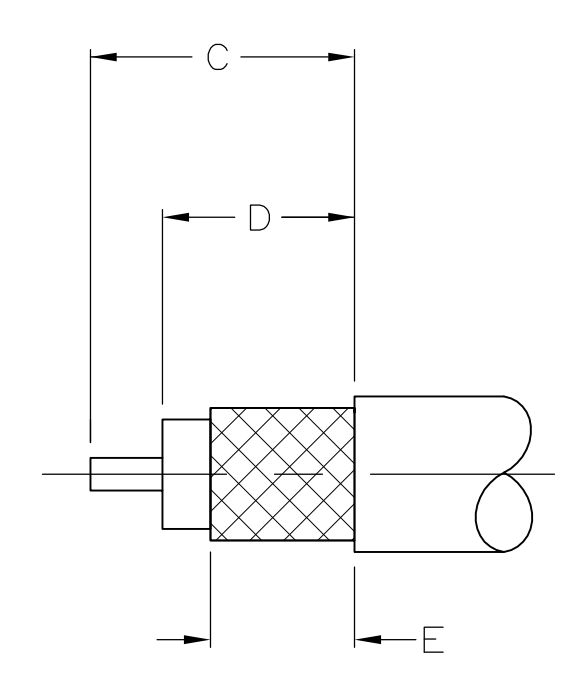
REVISIONS					
P	LTR	DESCRIPTION	DATE	DMN	APVO
A		REVISED PER ECR-17-009545	08AUG2017	AS	RS
O1		REVISED PER ECO-09-024606	31OCT09	KK	AEG



- 1. SEE I.S. 2028-1
- 2. SEE SEPERATE RESTRICTED CUSTOMER DRAWING
- 3. OBSOLETE PARTS: OBSOLETE CIS STREAMLINING PER D.RENAUD/D.SINISI



DETAIL A  
SCALE 2:1



DETAIL B  
SCALE 2:1

RECOMMENDED STRIP LENGTH

OBsolete	CABLE	CRIMPING TOOL	E	D	C	DETAIL	3 FERRULE QTY=1	2 CONTACT QTY=1	1 PLUG ASSY QTY=1	PART NUMBER
OBsolete	BELDEN 8214	220015-1	9.53 [.375]	12.70 [.500]	17.45 [.687]	B	9-51713-0	1-51695-2	51701-6	1-5225661-8
OBsolete	RG-55A & 223	220045-2	8.71 [.343]	10.31 [.406]	15.09 [.594]	B	9-225382-0	225343-2	225342-3	1-5225661-3
OBsolete	RG-58A/U & 58C/U	220045-2	8.71 [.343]	10.31 [.406]	15.09 [.594]	B	9-225381-0	225343-2	225342-3	1-5225661-2
OBsolete	RG-213/U	220015-1	9.53 [.375]	12.70 [.500]	17.45 [.687]	B	9-51713-0	2-51695-1	51701-6	5225661-2
OBsolete	RG-9/U & 214/U	220015-1	-	-	-	A	9-51713-0	2-51695-1	51701-6	5225661-1

THIS DRAWING IS A CONTROLLED DOCUMENT.

DIMENSIONS: mm [INCHES]	TOLERANCES UNLESS OTHERWISE SPECIFIED: 0. PLC ± - 1. PLC ± - 2. PLC ± 0.41 [.016] 3. PLC ± - 4. PLC ± - ANGLES ± -	DMN A. FERNANDEZ-DUCKS 31JAN2005 CHK J. HAVENER 31JAN2005 APVO G. MICHAEL 31JAN2005 NAME	TE Connectivity
MATERIAL	FINISH	PRODUCT SPEC	PLUG, SERIES N
WEIGHT	0.000000	APPLICATION SPEC	RESTRICTED TO
CUSTOMER DRAWING	SCALE 4:1	SIZE A1	SHEET 1 OF 1 REV A

单击下面可查看定价，库存，交付和生命周期等信息

[>>TE Connectivity\(泰科\)](#)