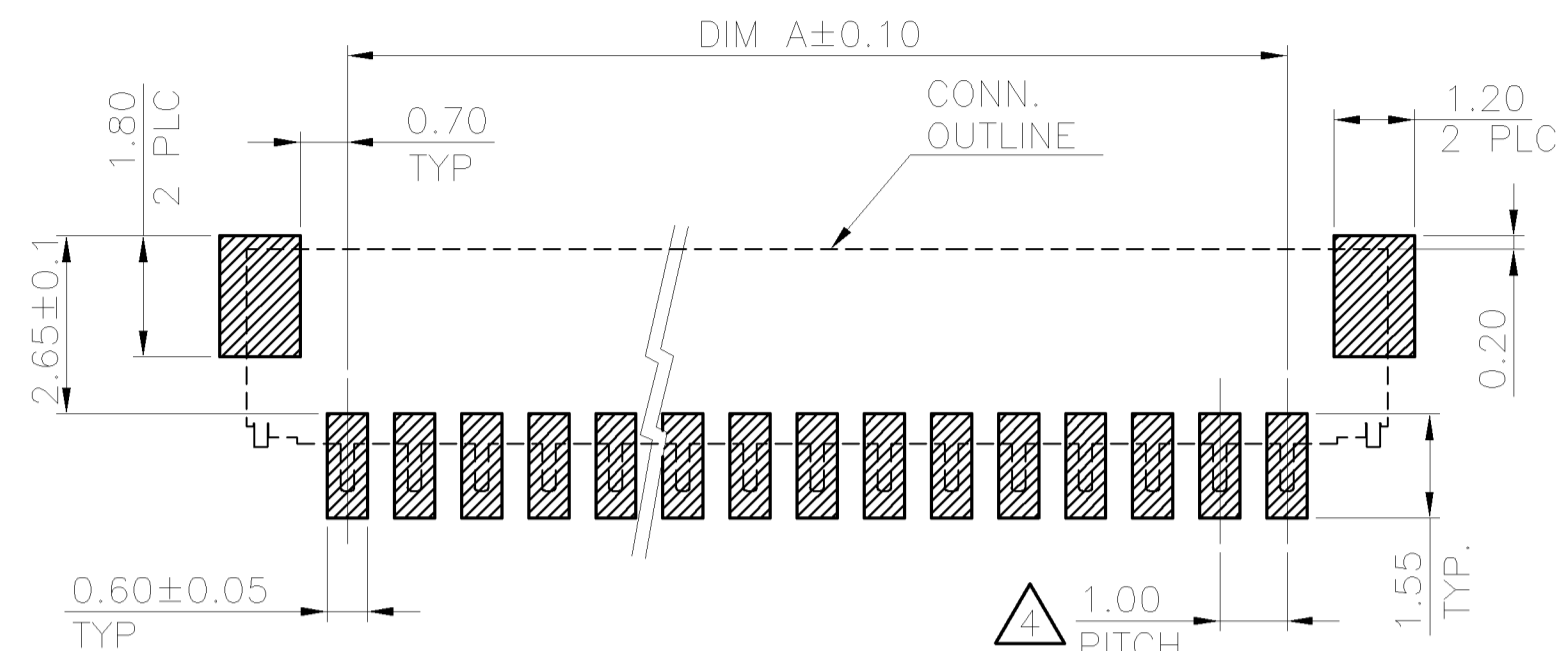
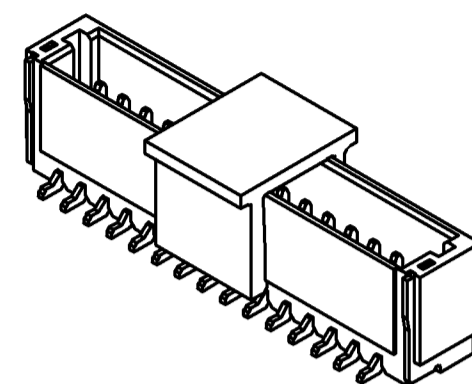
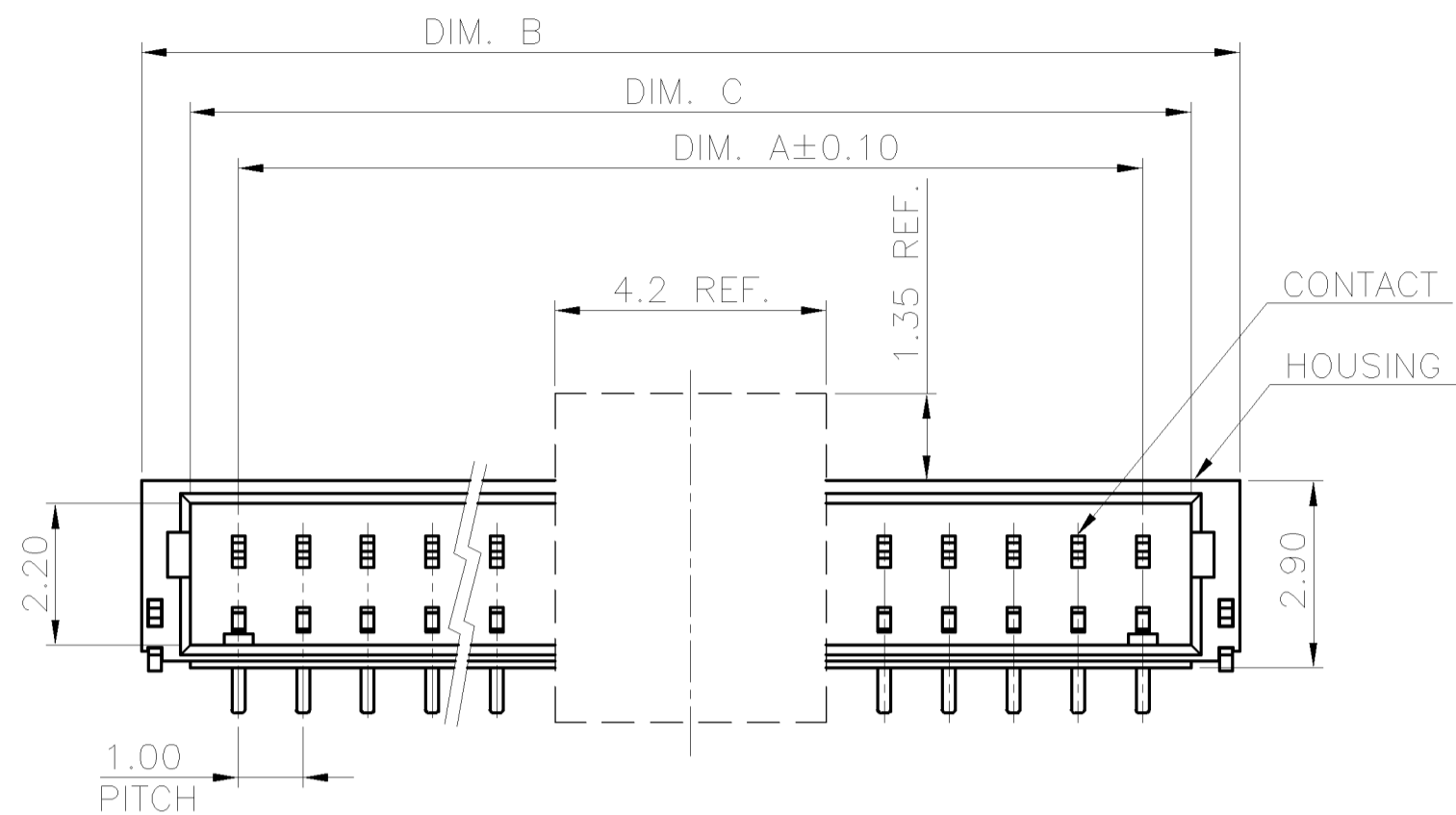
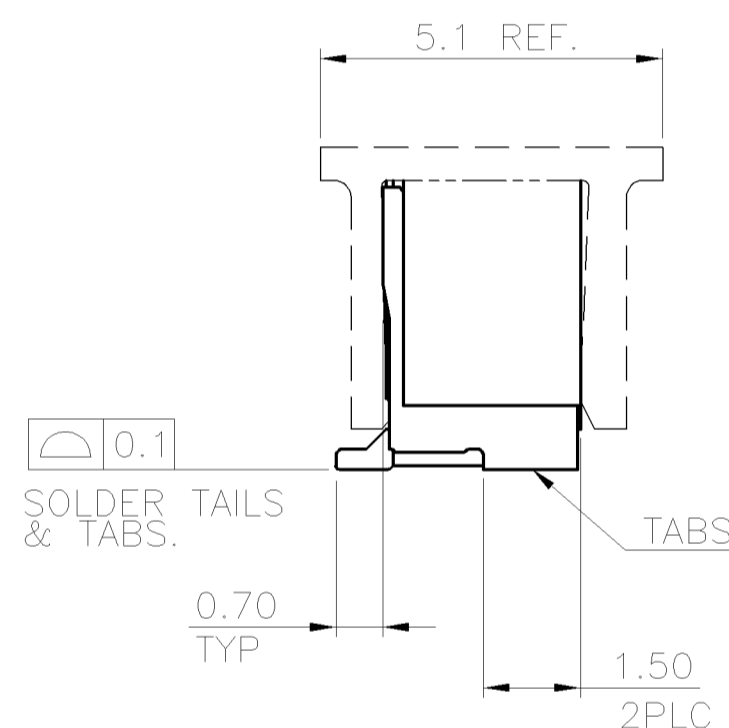
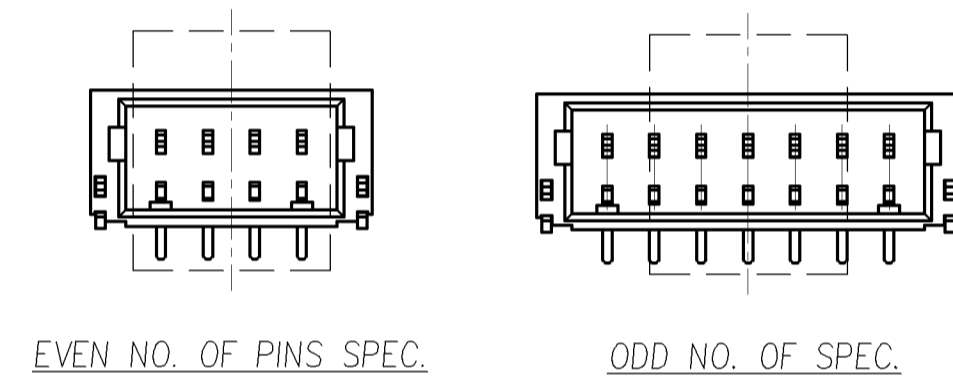


LOC		DIST		REVISIONS					
DW				P	LTR	DESCRIPTION	DATE	DWN	APVD
				A2		REVISED (ECR-11-004106)	23FEB11	JC	WK



RECOMMENDED PCB LAYOUT TOLERANCE: ±0.05



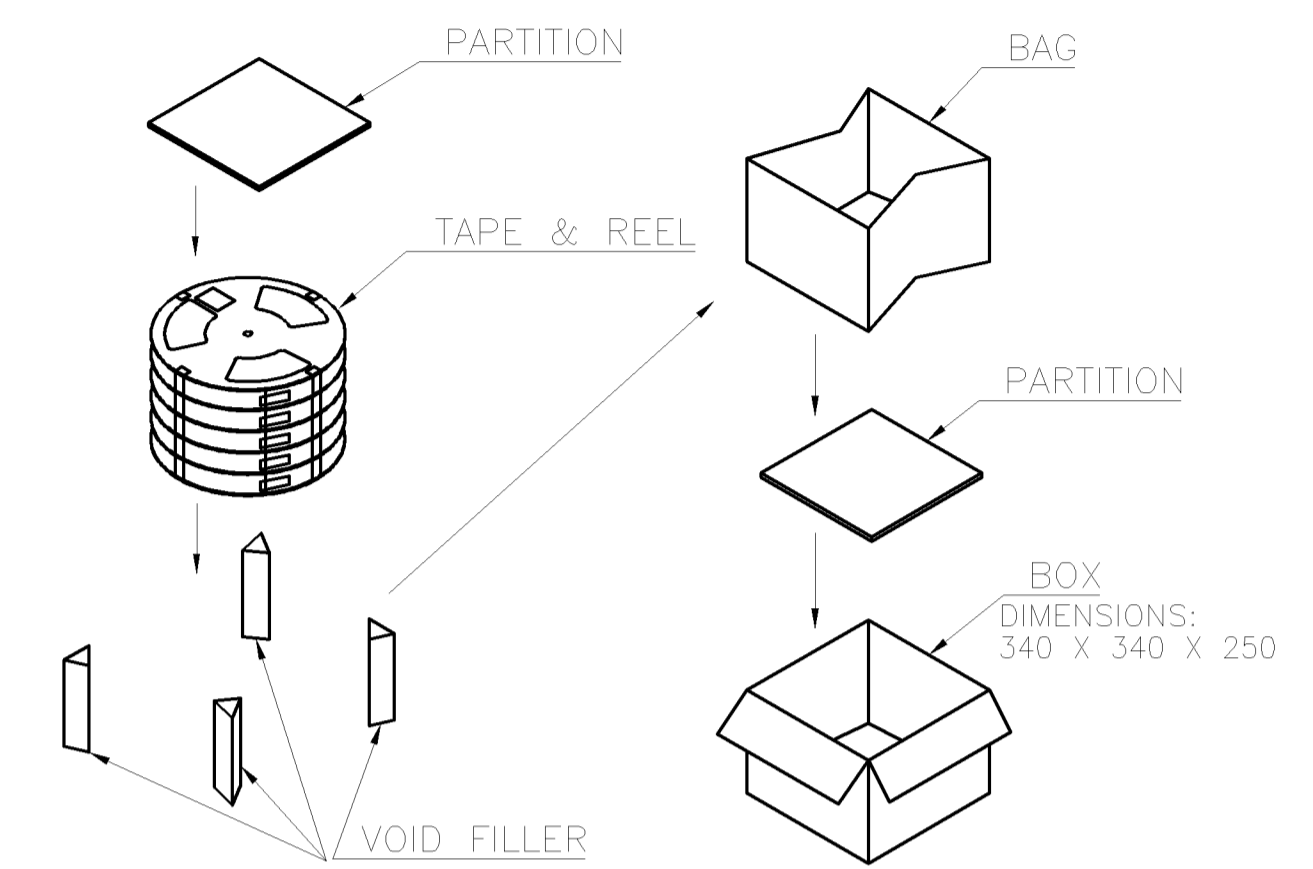
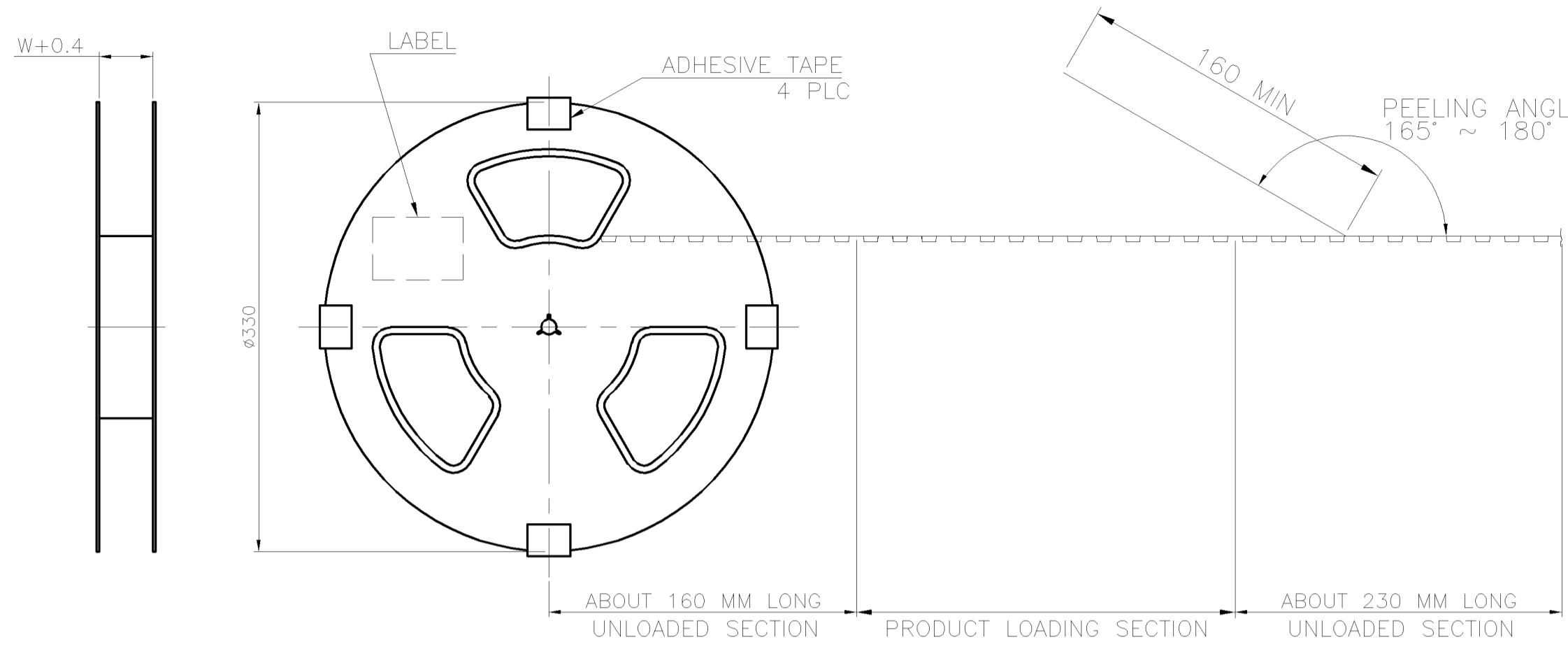
- NOTE:
- MATERIAL:
HOUSING: LCP WITH 30% GF, UL 94V-0, NATURAL COLOR.
CAP: LCP WITH 30% GF, UL 94V-0, BLACK COLOR.
CONTACTS: PHOSPHOR BRONZE, 0.2±0.05mm THICKNESS.
TABS: BRASS, 0.2±0.05mm THICKNESS.
 - FINISH:
CONTACTS: 2.54µm [100µ"] MIN. MATTE-TIN OVER
1.27µm [50µ"] MIN. NICKEL PLATED.
TABS: 2.54µm [100µ"] MIN. MATTE-TIN OVER
1.27µm [50µ"] MIN. NICKEL PLATED.
 - REFLOW SOLDER CAPABLE TO 260°C PER TE TEST SPEC. 109-201, CONDITION B.
 - NO ACCUMULATE TOLERANCE.
 - NO TE LOGO AND DATE CODE ON THE PRODUCT.
 - LOW HALOGEN SPEC:
CHLORINE(Cl): 900ppm MAX.
BROMIN(Br): 900ppm MAX.
CHLORINE(Cl) & BROMIN(Br): 1500ppm MAX.

0.28g	16.6	15.5	17.3	14.00	15	1-2041190-5
0.20g	9.6	8.5	10.3	7.00	8	2041190-8
0.18g	7.6	6.5	8.3	5.00	6	2041190-6
0.15g	5.6	4.5	6.3	3.00	4	2041190-4
WEIGHT	DIMENSIONS				NO. OF CONTACTS	PART NUMBER

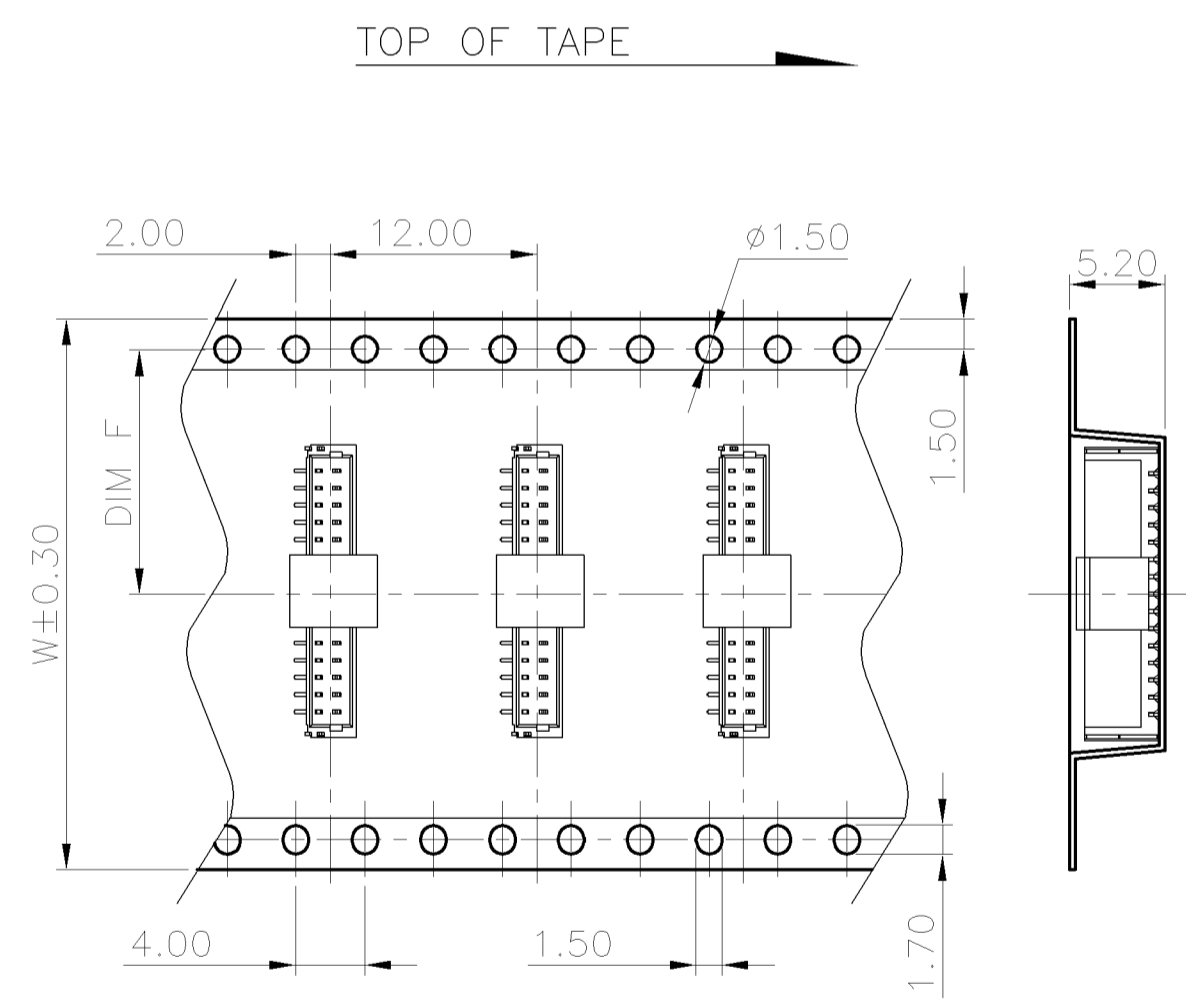
THIS DRAWING IS A CONTROLLED DOCUMENT.		DWN F. YANG 18SEP2009	Tyco Electronics Corporation Taipei, Taiwan			
DIMENSIONS: MM		CHK S. CHIEN 18SEP2009				
TOLERANCES UNLESS OTHERWISE SPECIFIED:		APVD W. KODAMA 18SEP2009	NAME			
		PRODUCT SPEC 108-57264	WIRE TO BOARD CONNECTOR, 1.0MM PITCH SINGLE ROW, HEADER, SMT, VERTICAL TYPE.			
MATERIAL SEE NOTE		FINISH SEE NOTE	APPLICATION SPEC	SIZE A3	CAGE CODE 00779	DRAWING NO C=2041190
		WEIGHT SEE TABLE	RESTRICTED TO			
		CUSTOMER DRAWING	SCALE	SHEET 1 OF 2	REV A2	

THIS DRAWING IS UNPUBLISHED. RELEASED FOR PUBLICATION AUG ,2006.
 © COPYRIGHT 2009 BY TYCO ELECTRONICS CORPORATION. ALL RIGHTS RESERVED.

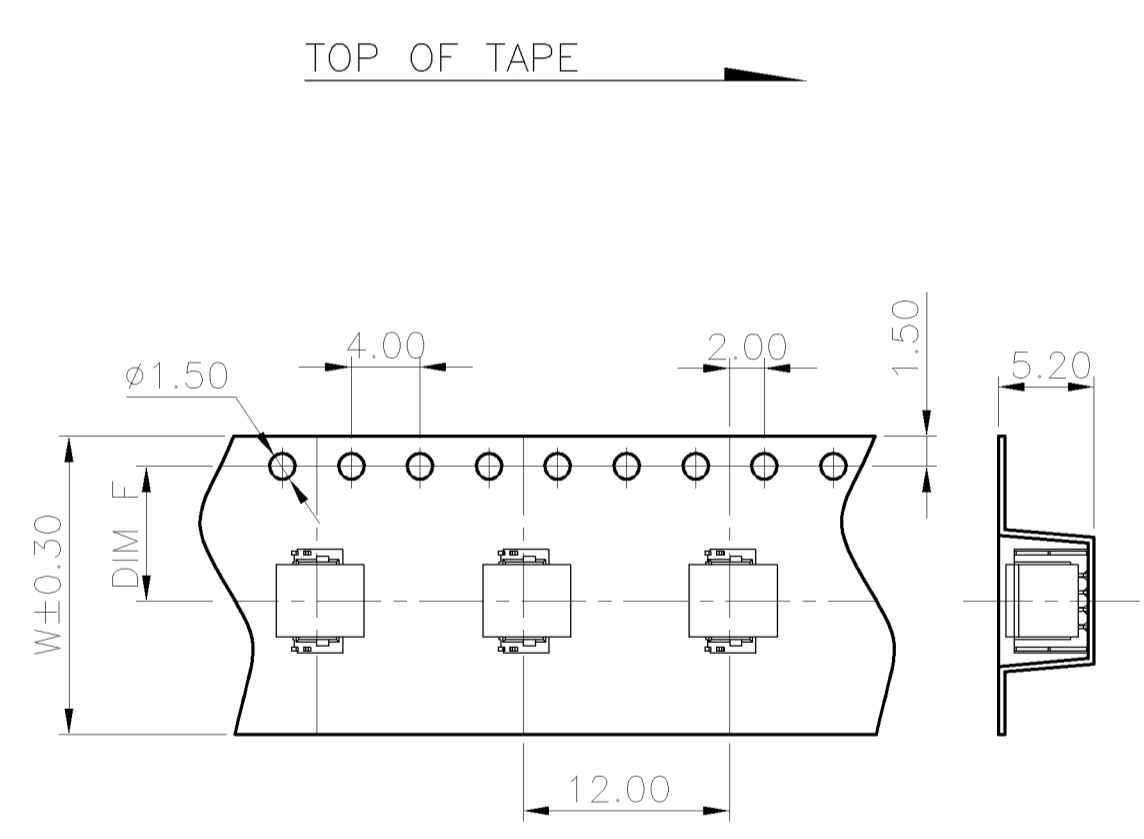
LOC		DIST		REVISIONS					
DW				P	LTR	DESCRIPTION	DATE	DWN	APVD
						SEE SHEET 1.			



NOTE:
 1. PEELING RESISTANCE: 10gf ~ 130gf.
 2. PEELING SPEED: 300mm/MINUTES.



CARRIER FOR 15 PIN



CARRIER FOR 4 & 6 & 8 PIN

DIM F	DIM W	PCS/ REEL	REELS/ BOX	QUANTITY (PCS)	G/W (Kg)	N/W (Kg)	NO. OF CONTACTS
14.20	32.0	1000	6	6000	5.29	1.70	15
11.50	24.0	1000	7	7000	4.87	1.39	8
7.50	16.0	1000	10	10000	6.16	1.76	6
7.50	16.0	1000	10	10000	5.90	1.50	4

THIS DRAWING IS A CONTROLLED DOCUMENT.		DWN		Tyco Electronics Corporation Taipei, Taiwan							
DIMENSIONS: MM		CHK						NAME			
TOLERANCES UNLESS OTHERWISE SPECIFIED:		APVD		WIRE TO BOARD CONNECTOR, 1.0MM PITCH SINGLE ROW, HEADER, SMT, VERTICAL TYPE.							
0 PLC ± - 1 PLC ± - 2 PLC ± - 3 PLC ± - 4 PLC ± - ANGLES ± -		PRODUCT SPEC						SIZE			
MATERIAL		FINISH		APPLICATION SPEC		CAGE CODE		DRAWING NO		RESTRICTED TO	
				WEIGHT		A3 00779		G=2041190			
CUSTOMER DRAWING				SCALE		SHEET		REV		A2	

单击下面可查看定价，库存，交付和生命周期等信息

[>>TE Connectivity\(泰科\)](#)