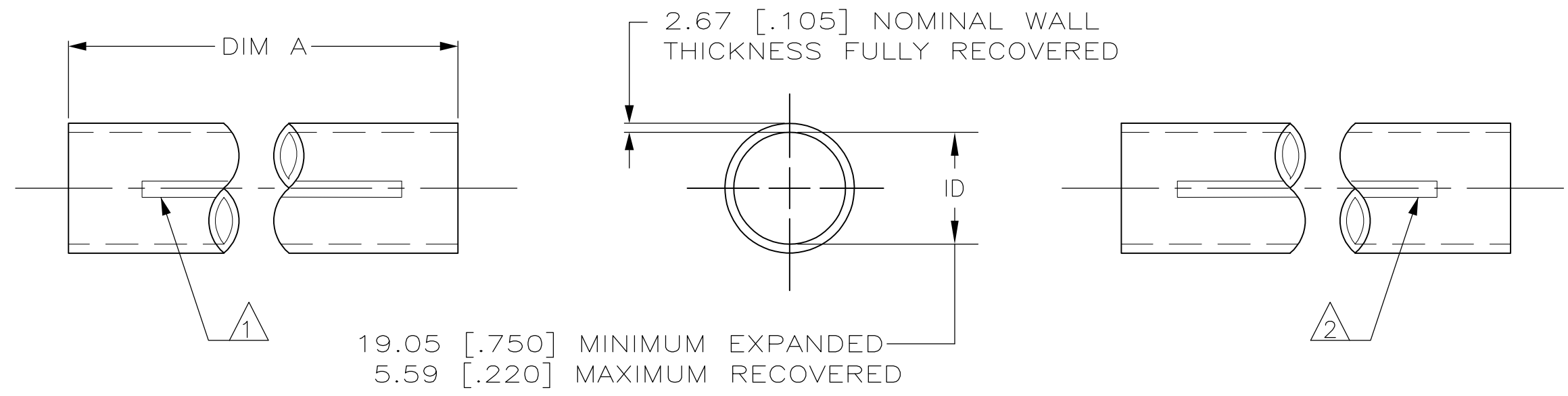


THIS DRAWING IS UNPUBLISHED. RELEASED FOR PUBLICATION .19 .  
 © COPYRIGHT 19 BY AMP INCORPORATED. ALL RIGHTS RESERVED.

LOC	DIST	REVISIONS					
AA	25	P	LTR	DESCRIPTION	DATE	DWN	APVD
			M	ADD: 8/4; NPR C99-007	03FEB99	GG	EH
			M1	REVISED PER ECO-09-020932	05SEP09	KK	AEG



- 1 PRODUCT MARKED WITH AMP, AND DATE CODE WITH 6.35 [.25] HIGH CHARACTERS USING WHITE INK LOCATED ALONG THIS SURFACE. REPEATED EVERY 203.2 [8.0].
- 2 PRODUCT MARKED .750 - .220/ 19mm - 5.6mm WITH 6.35 [.25] HIGH CHARACTERS USING WHITE INK LOCATED ALONG THIS SURFACE. REPEATED EVERY 203.2 [8.0].
- 3 SEALANT APPLIED TO TUBING THROUGHOUT LENGTH.
- 4 DIMENSIONS SPECIFIED WITHOUT SEALANT.
- 5 KIT CONSISTING OF 1-53711-4, 25 PIECES.
- 6 WEIGHT PER LINEAR FOOT: 31.7 GRAMS/.07 POUND.
- 7 KIT CONSISTING OF 53711-3, 2 PIECES.
- 8 KIT CONSISTING OF 53711-1, 1000 PIECES.
- 9 OBSOLETE PARTS: OBSOLETE CIS STREAMLINING PER D.RENAUD/D.SINISI

		8	9	8-53711-4
		7	9	8-53711-3
304.8 ±4.8	[12.00 ±.19]			1-53711-4
1244.6 - 1219.2	[49.00 - 48.00]		9	1-53711-0
50.8 ±3.3	[2.00 ± .13]			53711-9
38.1 ±3.3	[1.50 ±.13]		9	53711-8
		5		53711-5
228.6 ±4.8	[9.00 ±.19]			53711-4
152.4 ±4.8	[6.00 ±.19]			53711-3
101.6 ±4.8	[4.00 ±.19]			53711-2
76.2 ±4.8	[3.00 ±.19]			53711-1

THIS DRAWING IS A CONTROLLED DOCUMENT.		DWN	W CHANDLER	11FEB99	<b>AMP</b> AMP Incorporated Harrisburg PA 17105-3608
DIMENSIONS: mm [INCHES]		CHK	N JONES	3-31-94	
TOLERANCES UNLESS OTHERWISE SPECIFIED:		APVD	D. KAAT	3-31-94	NAME
0 PLC ± -		PRODUCT SPEC		AMPSULATION HWP31, HST, WITH SEALANT, .750 INCHES DIAMETER	
1 PLC ± -		APPLICATION SPEC		SIZE	A3
2 PLC ± -		WEIGHT		CAGE CODE	00779
3 PLC ± -		CUSTOMER DRAWING		DRAWING NO	C-53711
4 PLC ± -		SCALE		SHEET	1 OF 1
ANGLES ± -		RESTRICTED TO		REV	M1
FINISH		SCALE		NTS	

单击下面可查看定价，库存，交付和生命周期等信息

[>>TE Connectivity\(泰科\)](#)