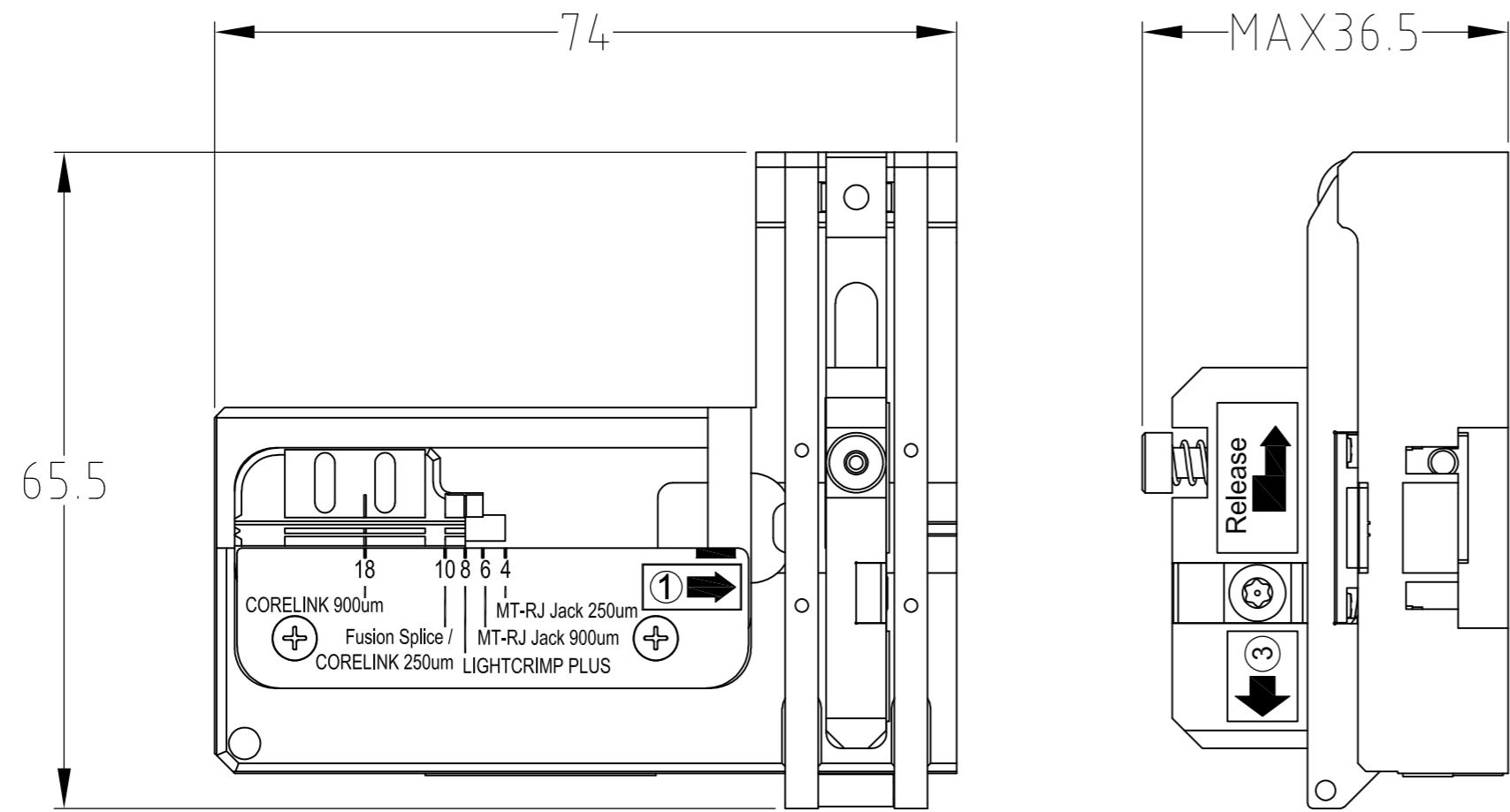
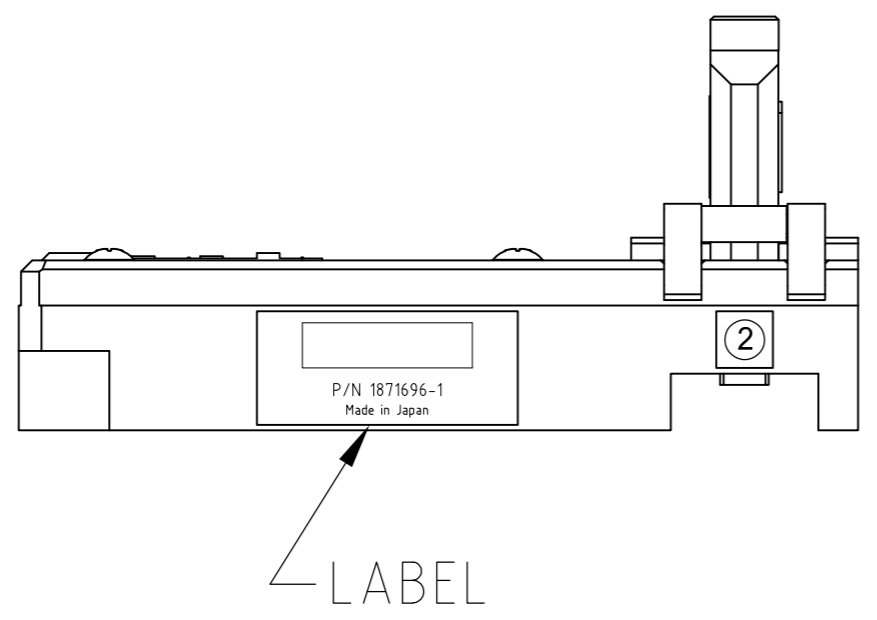
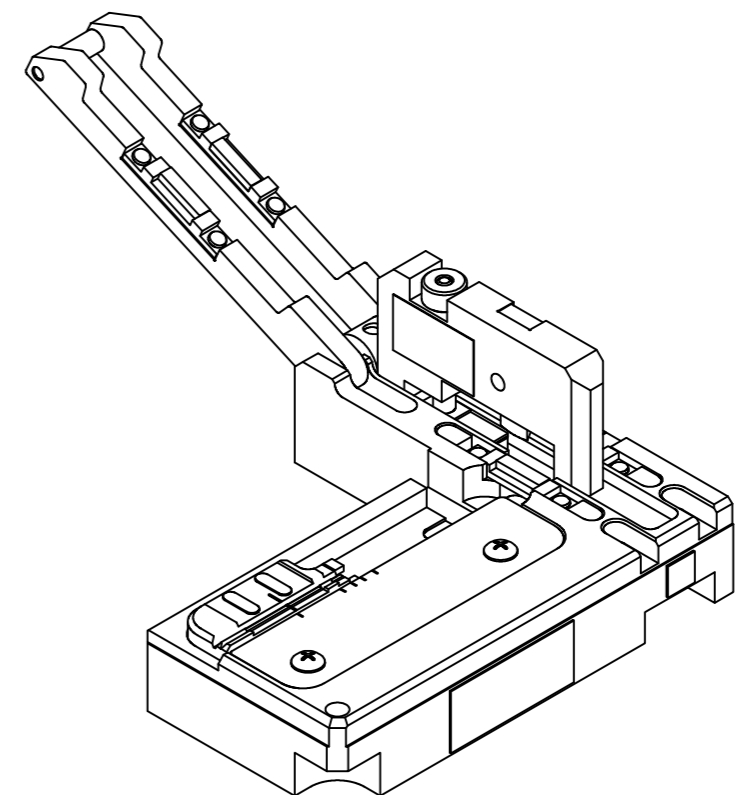


THIS DRAWING IS UNPUBLISHED. RELEASED FOR PUBLICATION JULY, 7 .
 © COPYRIGHT 2005 By - ALL RIGHTS RESERVED.

LOC	DIST	REVISIONS			
P	LTR	DESCRIPTION	DATE	DWN	APVD
	C	REVISE ECR-06-022150	26SEP06	S.K	T.H
	D	REVISE ECR-07-005111	8MAR07	S.K	T.H
	E	REVISE ECR-11-018726	11SEP11	S.K	T.H



SHOWN: -1



1. ATTACHED A FABRIC BAG AND A STRAP
2. WEIGHT OF -1: 152g

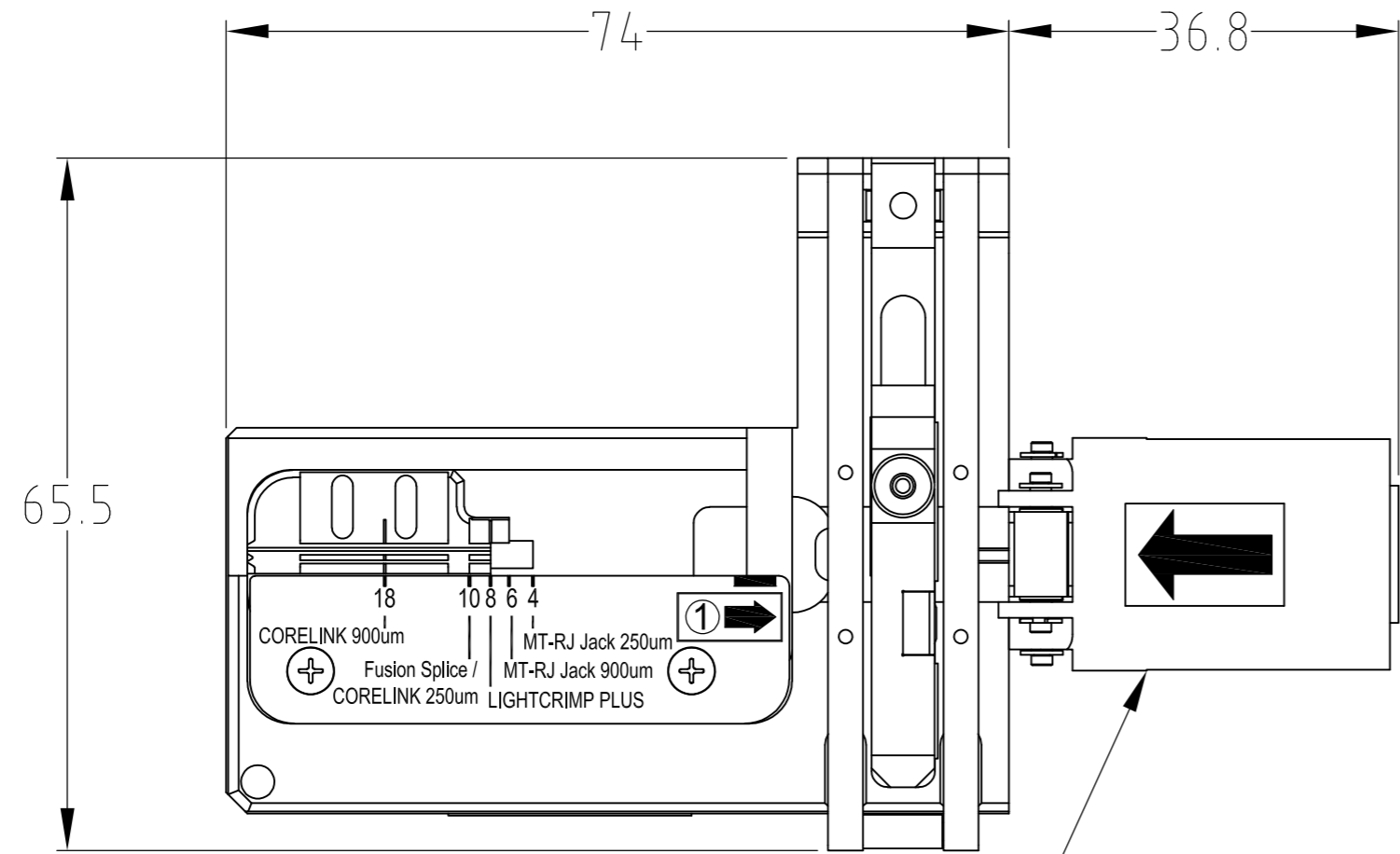
FIBER CLEAVER WITH JACKET HOLDER	1871696-5
FIBER CLEAVER, 8mm MARK	1871696-4
FIBER CLEAVER JACKETED CABLE	1871696-3
FIBER CLEAVER WITH FIBER SCRAP BOX	1871696-2
FIBER CLEAVER	1871696-1
DESCRIPTION	PART NO

THIS DRAWING IS A CONTROLLED DOCUMENT.		DWN	07JUL05	TE Connectivity	
DIMENSIONS: mm		CHK	07JUL05	NAME	
TOLERANCES UNLESS OTHERWISE SPECIFIED:		APVD	07JUL05	FIBER CLEAVER	
0 PLC	±	PRODUCT SPEC		SIZE	RESTRICTED TO
1 PLC	±	APPLICATION SPEC		CAGE CODE	
2 PLC	±	WEIGHT		DRAWING NO	
3 PLC	±	FINISH		SCALE	
4 PLC	±	CUSTOMER DRAWING		00779	
ANGLES	±			C=1871696	
				SHEET	
				1 of 5	
				REV	
				E	

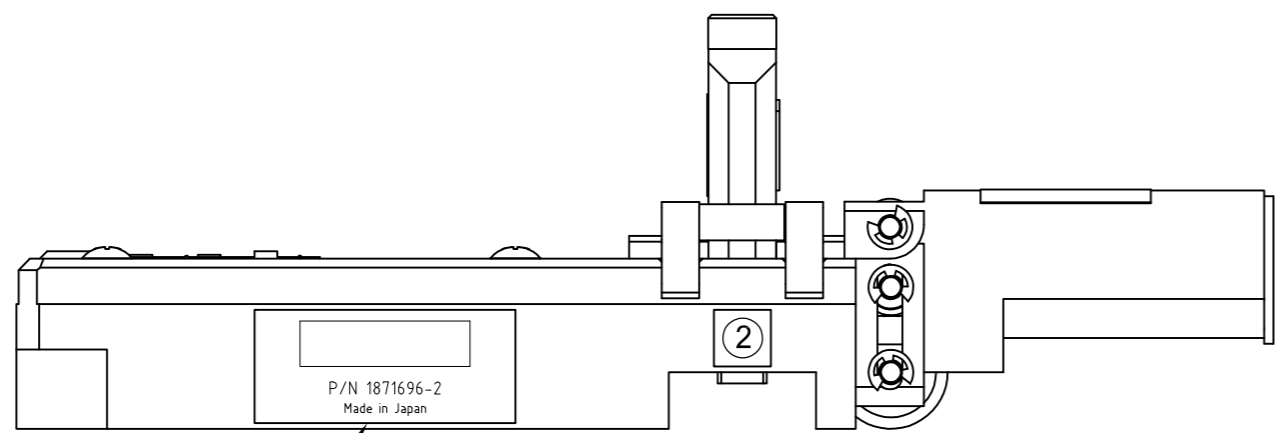
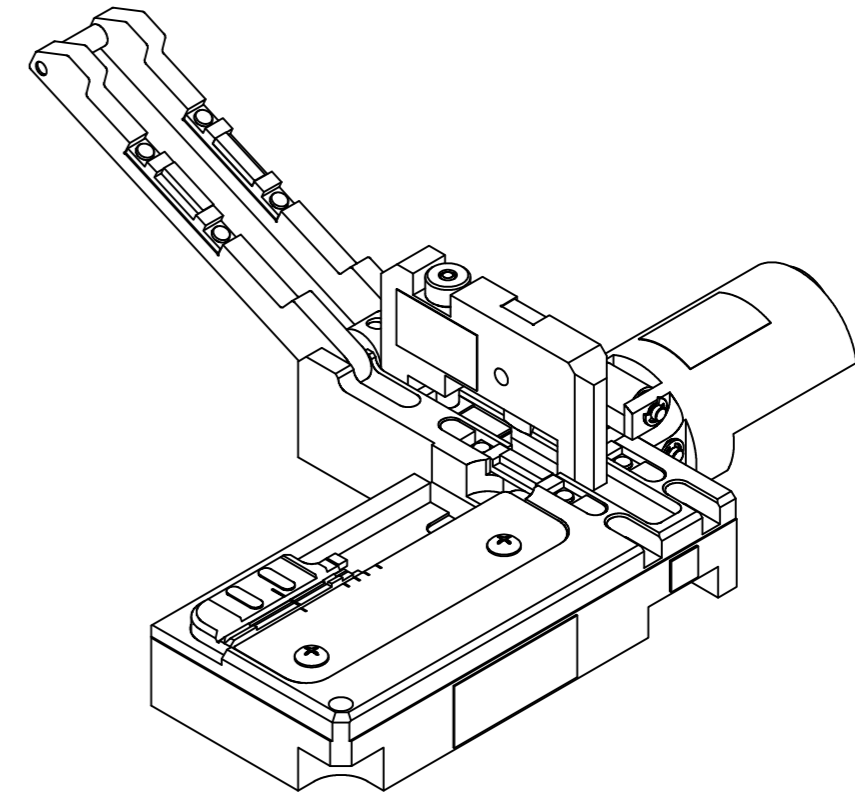
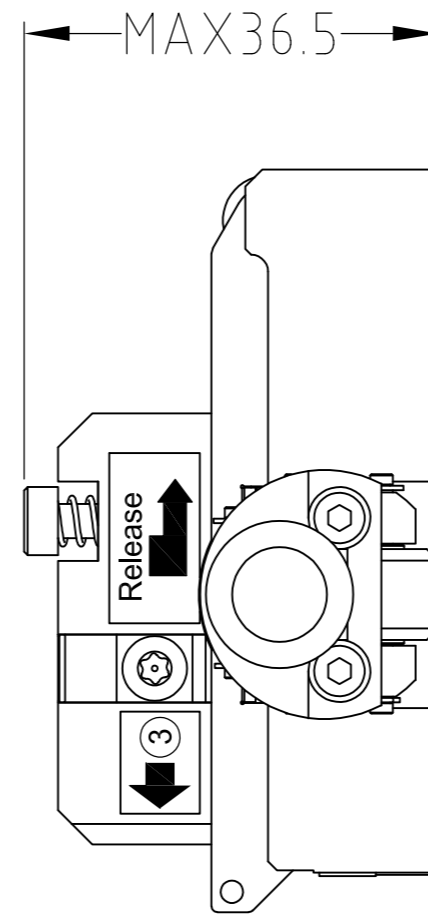
THIS DRAWING IS UNPUBLISHED. RELEASED FOR PUBLICATION JULY, 7 .
 © COPYRIGHT 2005 By - ALL RIGHTS RESERVED.

LOC	DIST	REVISIONS			
P	LTR	DESCRIPTION	DATE	DWN	APVD
J		SEE SHEET 1			

SHOWN: -2



FIBER SCRAP BOX



LABEL

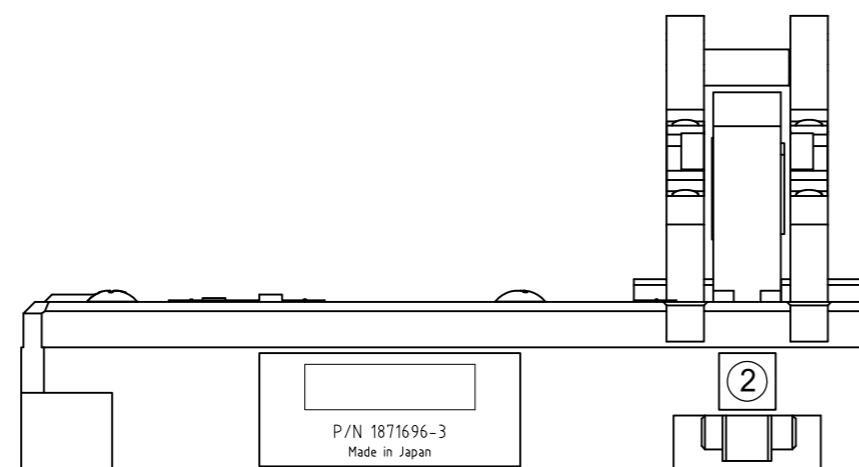
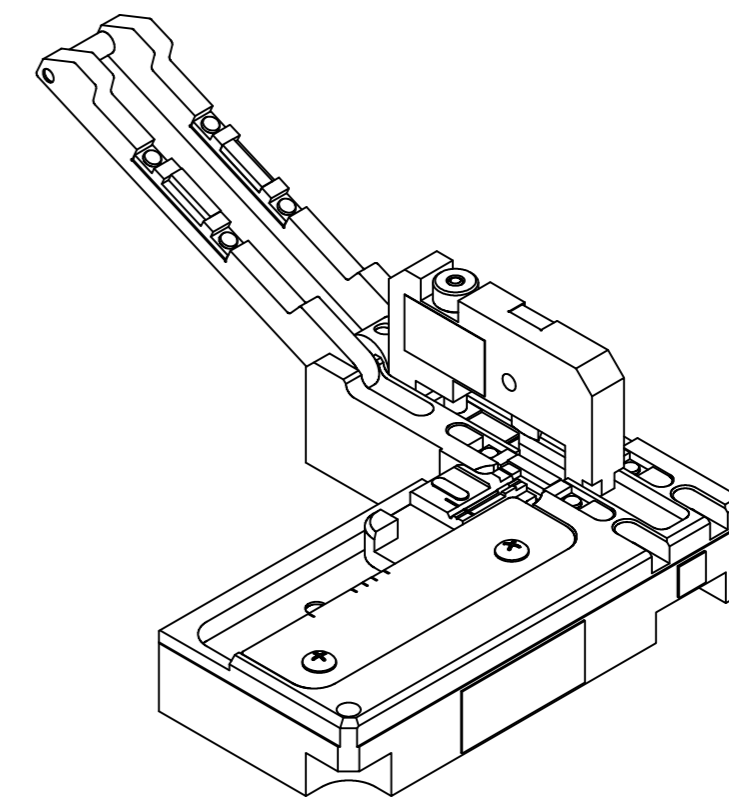
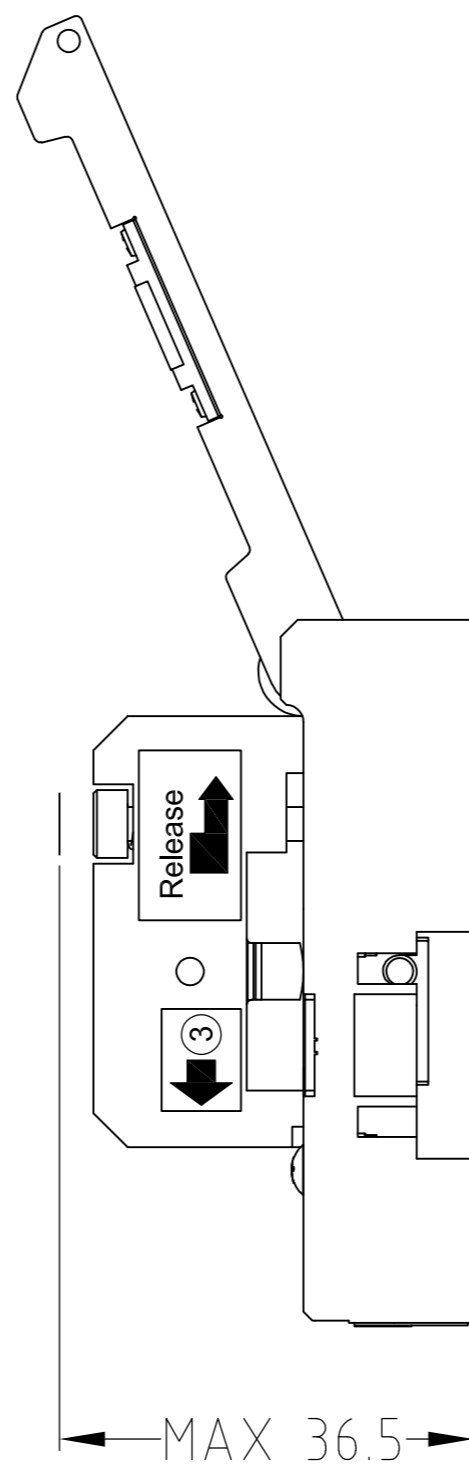
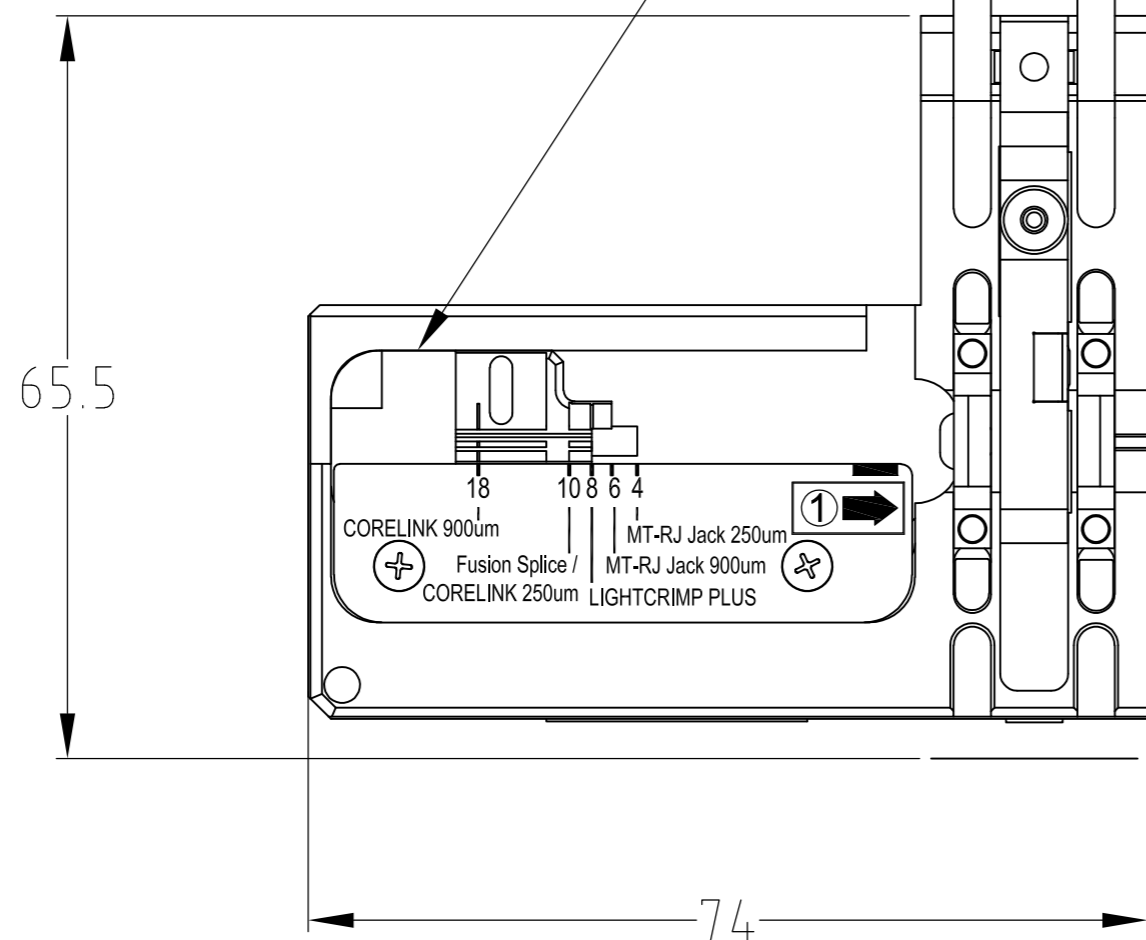
THIS DRAWING IS A CONTROLLED DOCUMENT.		DWN S.KOBAYASHI 07JUL05	TE TE Connectivity	
DIMENSIONS: mm		CHK T.HAYASHI 07JUL05		
TOLERANCES UNLESS OTHERWISE SPECIFIED		APVD T.HAYASHI 07JUL05	NAME FIBER CLEAVER	
0 PLC ±		PRODUCT SPEC	SIZE A2	
1 PLC ±		APPLICATION SPEC	CAGE CODE 00779	DRAWING NO C=1871696
2 PLC ±		WEIGHT	RESTRICTED TO	
3 PLC ±		FINISH	SCALE NTS	SHEET 2 OF 5
4 PLC ±			REV E	
ANGLES ±				
CUSTOMER DRAWING				

THIS DRAWING IS UNPUBLISHED. RELEASED FOR PUBLICATION JULY, 7 .
 © COPYRIGHT 2005 By - ALL RIGHTS RESERVED.

LOC	DIST	REVISIONS			
P	LTR	DESCRIPTION	DATE	DWN	APVD
J		SEE SHEET 1			

SHOWN: -3

FIBER CART FOR JACKETED CABLE



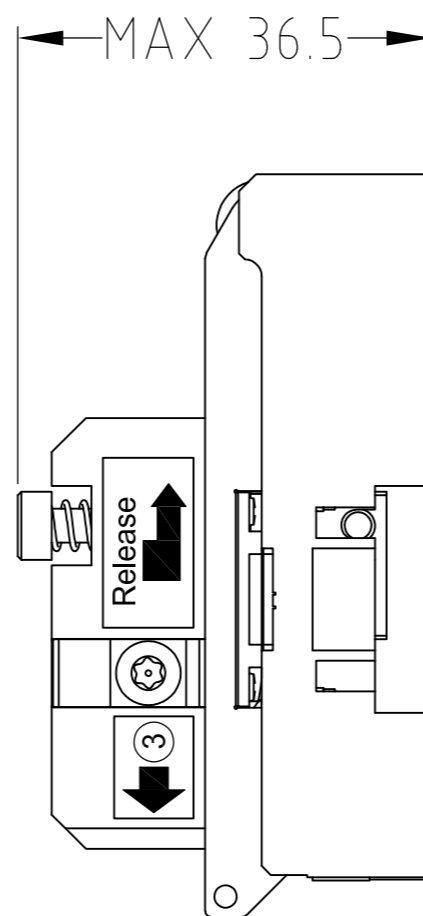
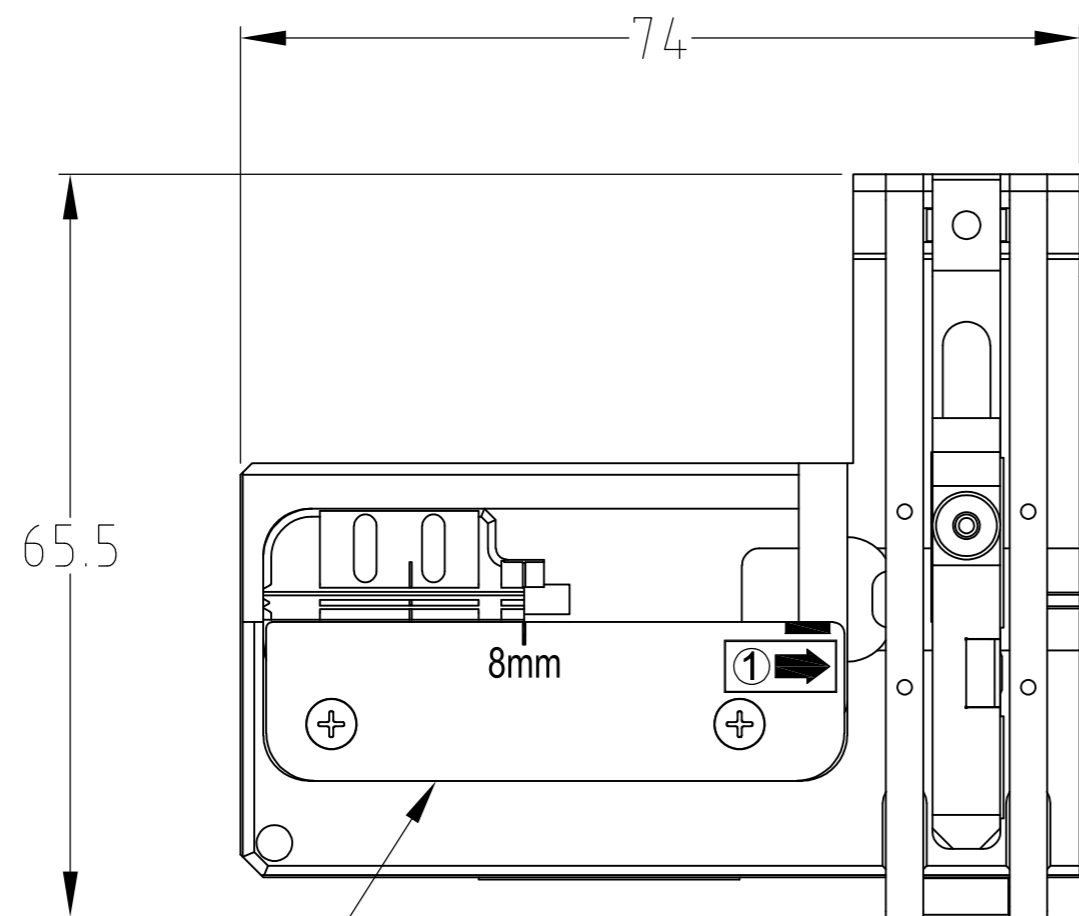
LABEL

THIS DRAWING IS A CONTROLLED DOCUMENT.		DWN S.KOBAYASHI 07JUL05	TE TE Connectivity	
DIMENSIONS: mm		CHK T.HAYASHI 07JUL05		
TOLERANCES UNLESS OTHERWISE SPECIFIED		APVD T.HAYASHI 07JUL05	NAME FIBER CLEAVER	
0 PLC ±		PRODUCT SPEC	SIZE A2	
1 PLC ±		APPLICATION SPEC	CAGE CODE 00779	DRAWING NO C-1871696
2 PLC ±		WEIGHT	RESTRICTED TO	
3 PLC ±		FINISH	SCALE NTS	SHEET 3 OF 5
4 PLC ±			REV E	
ANGLES ±				
CUSTOMER DRAWING				

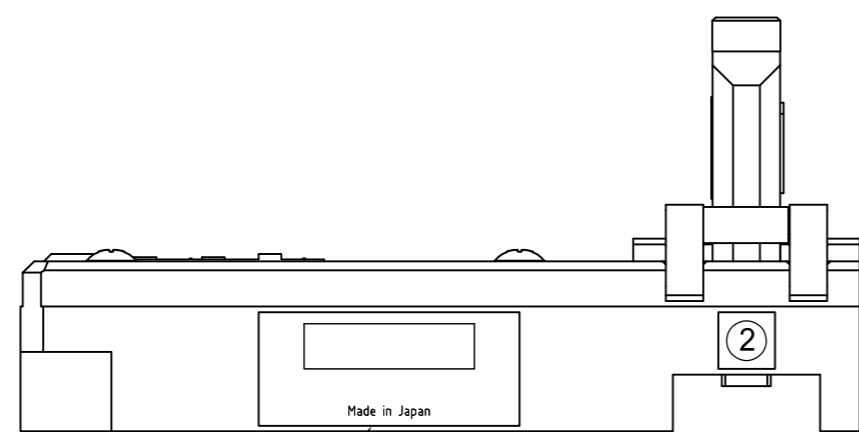
THIS DRAWING IS UNPUBLISHED. RELEASED FOR PUBLICATION JULY, 7 .
 © COPYRIGHT 2005 By - ALL RIGHTS RESERVED.

LOC		DIST		REVISIONS			
P	LTR	DESCRIPTION	DATE	DWN	APVD		
		SEE SHEET 1					

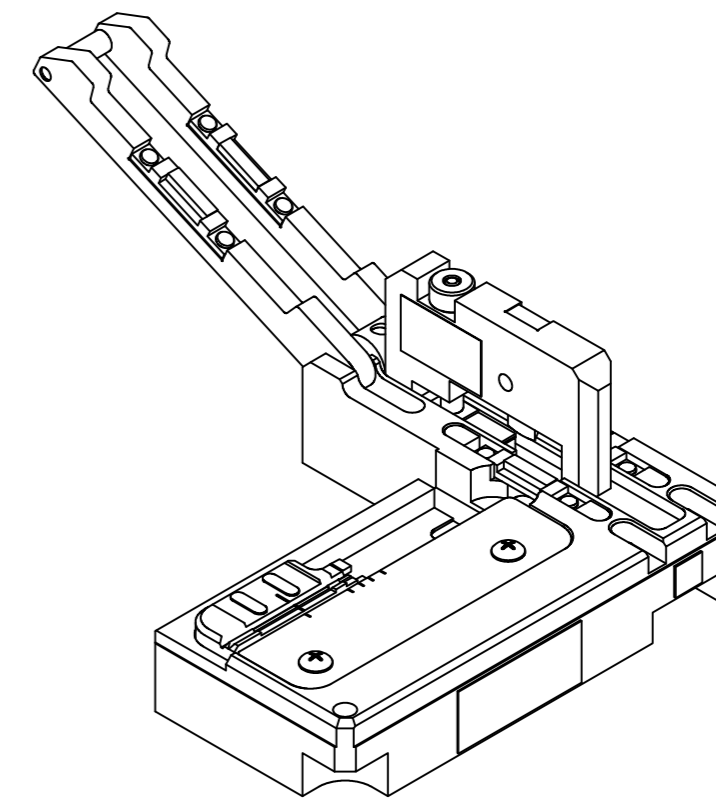
SHOWN: -4



8mm MARK SCALE PLATE



LABEL

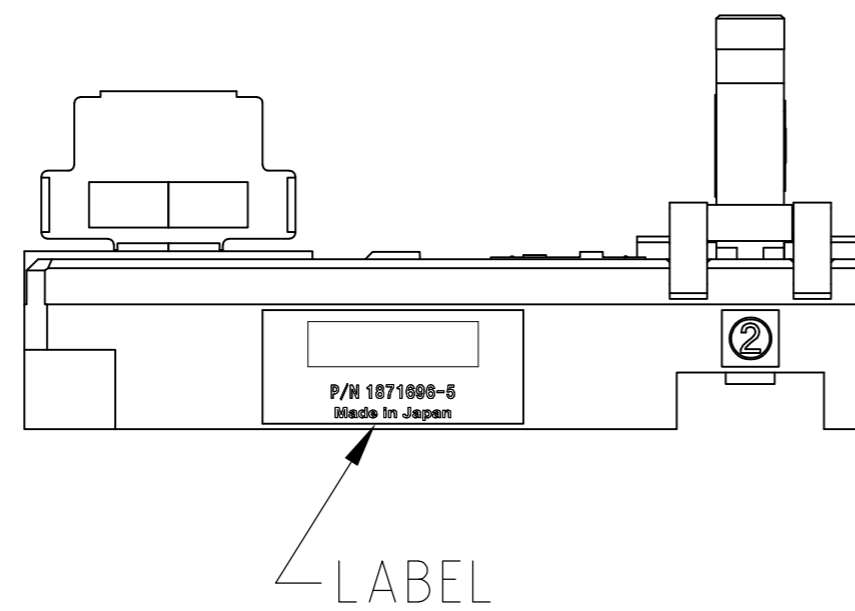
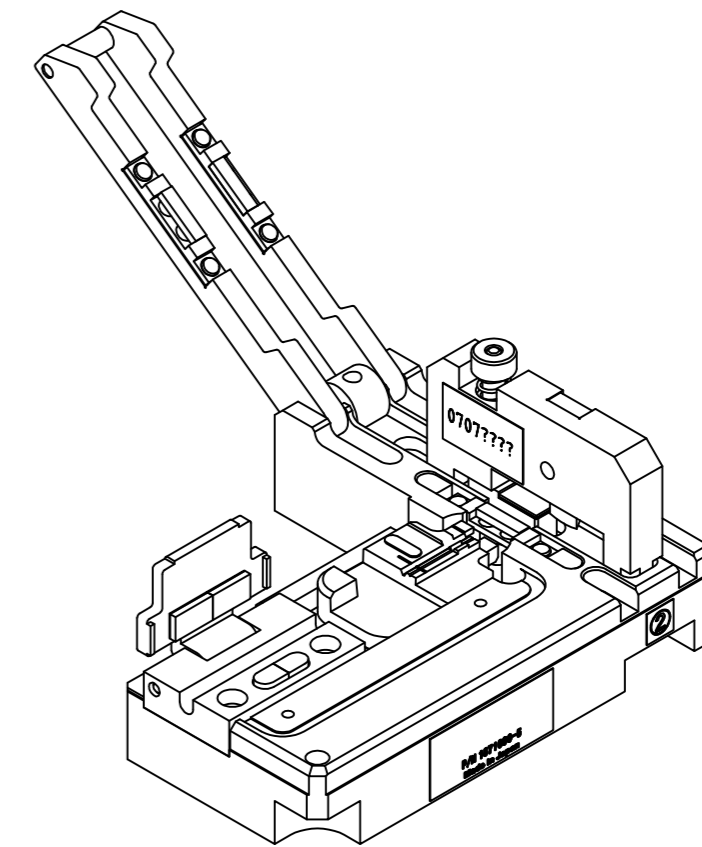
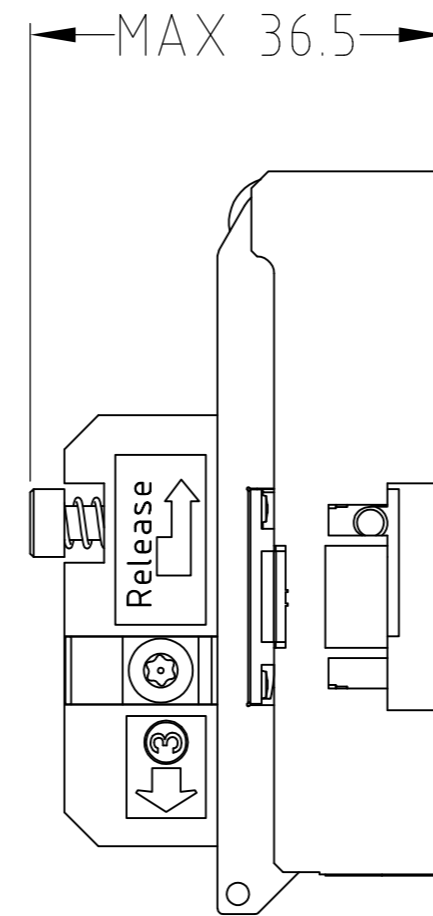
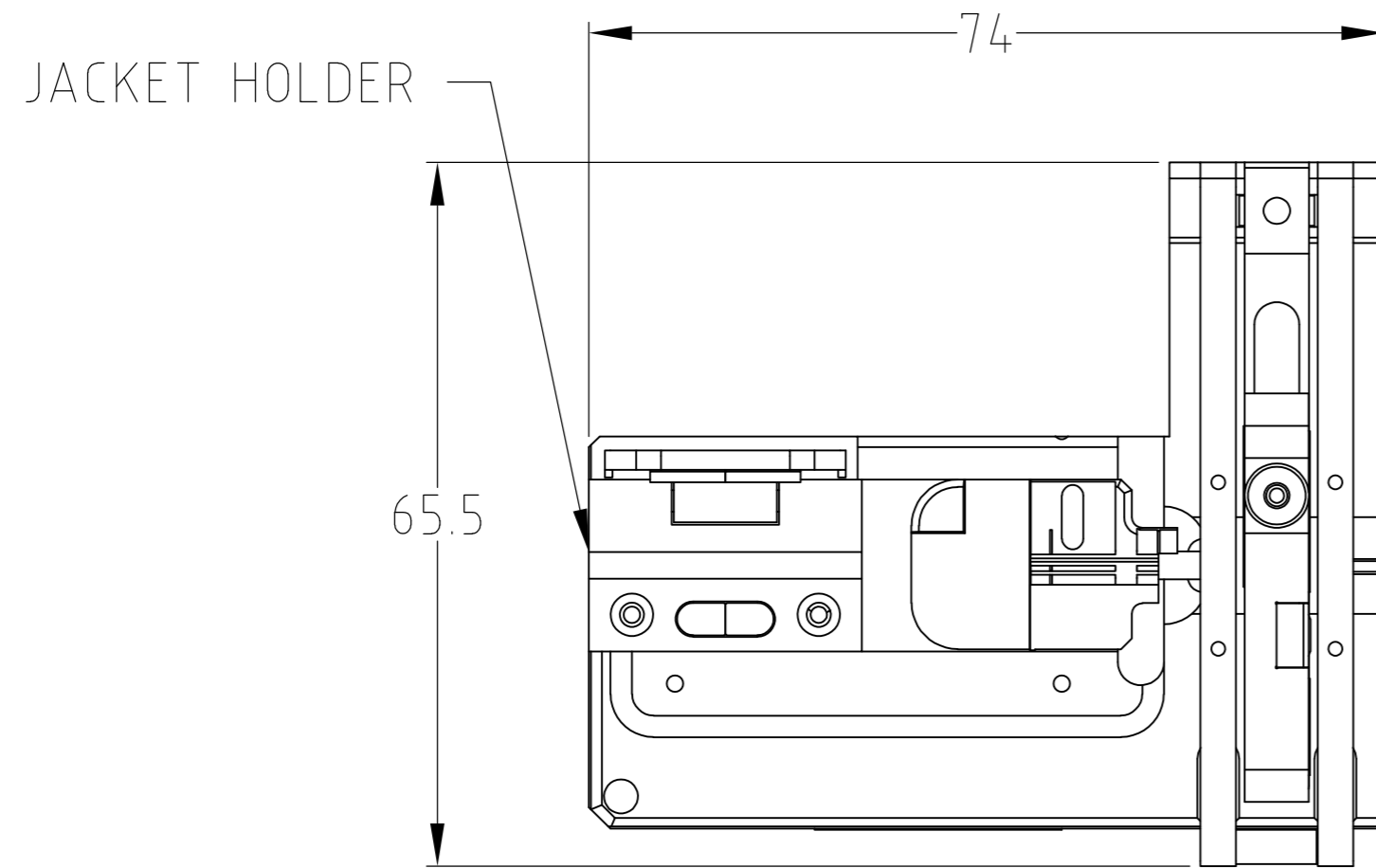


THIS DRAWING IS A CONTROLLED DOCUMENT.		DWN S.KOBAYASHI 07JUL05	TE TE Connectivity	
DIMENSIONS: mm		CHK T.HAYASHI 07JUL05		
TOLERANCES UNLESS OTHERWISE SPECIFIED		APVD T.HAYASHI 07JUL05	NAME FIBER CLEAVER	
0 PLC ±		PRODUCT SPEC	SIZE A2 CAGE CODE 00779 DRAWING NO C=1871696 RESTRICTED TO	
1 PLC ±		APPLICATION SPEC	SCALE NTS SHEET 4 OF 5 REV E	
2 PLC ±		WEIGHT		
3 PLC ±		CUSTOMER DRAWING		
4 PLC ±				
ANGLES ±				
FINISH				

THIS DRAWING IS UNPUBLISHED. RELEASED FOR PUBLICATION JULY, 7 .
 © COPYRIGHT 2005 By - ALL RIGHTS RESERVED.

LOC	DIST	REVISIONS			
P	LTR	DESCRIPTION	DATE	DWN	APVD
J		SEE SHEET 1			

SHOWN: -5



THIS DRAWING IS A CONTROLLED DOCUMENT.		DWN S.KOBAYASHI 07JUL05	TE TE Connectivity	
DIMENSIONS: mm		CHK T.HAYASHI 07JUL05		
TOLERANCES UNLESS OTHERWISE SPECIFIED		APVD T.HAYASHI 07JUL05	NAME FIBER CLEAVER	
0 PLC ±		PRODUCT SPEC	SIZE A2	
1 PLC ±		APPLICATION SPEC	CAGE CODE 00779	DRAWING NO C=1871696
2 PLC ±		WEIGHT	RESTRICTED TO	
3 PLC ±		FINISH	SCALE NTS	SHEET 5 OF 5
4 PLC ±			REV E	
ANGLES ±				
MATERIAL				
CUSTOMER DRAWING				

单击下面可查看定价，库存，交付和生命周期等信息

[>>TE Connectivity\(泰科\)](#)