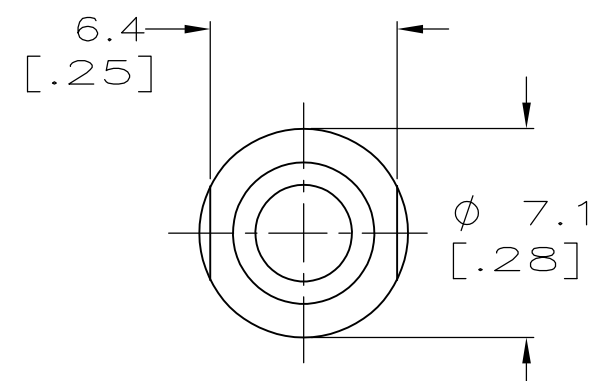
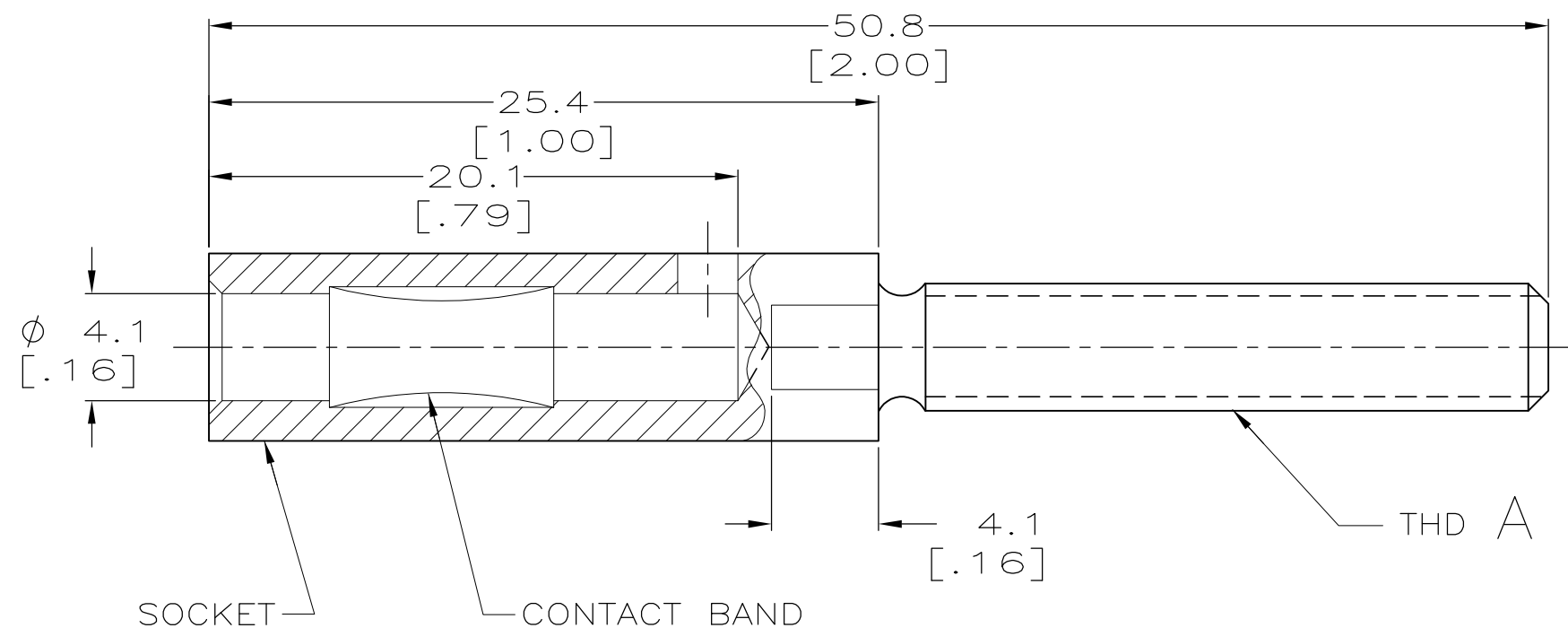


THIS DRAWING IS UNPUBLISHED. RELEASED FOR PUBLICATION ,19 .
 © COPYRIGHT 19 BY AMP INCORPORATED. ALL INTERNATIONAL RIGHTS RESERVED.

LOC	DIST	P	F	REVISIONS				
				ZONE	LTR	DESCRIPTION	DATE	APPD
CH	11				A	ECN96022902	01/MAR/96	-
					A1	REVISED PER ECO-09-020935	08SEP09	AEG

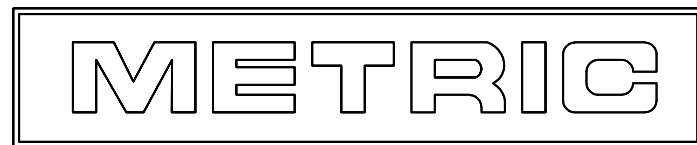


NOTE:

1 OBSOLETE PARTS: OBSOLETE CIS STREAMLINING PER D.RENAUD/D.SINISI

1 OBSOLETE	M5 X 0.8	09025	192129-2
	10-32 UNF-2A	09110	192129-1

DO NOT SCALE PRINT. UNLESS SPECIFIED DIMENSIONS IN mm [INCHES] TOLERANCES ON:		DR RA JAYNE 11-07-91	AMP AMP Incorporated Harrisburg, PA 17105-3608	
1 PLC DEC ± 0.25		CHK S.SIEGRIST 02-06-92	NAME SOCKET, 4mm	
3 PLC DEC ± -		APPD S.SIEGRIST 02-06-92		
ANGLES ± -		APPD P.GLASER 02-06-92	SIZE B	CAGE CODE 00779
MATERIAL BRASS	FINISH SILVER PLATE	PRODUCT SPEC -	DRAWING NO 192129	
		APPLICATION SPEC -	SCALE 4:1	SHEET 1 OF 1
		WEIGHT -		



单击下面可查看定价，库存，交付和生命周期等信息

[>>TE Connectivity\(泰科\)](#)