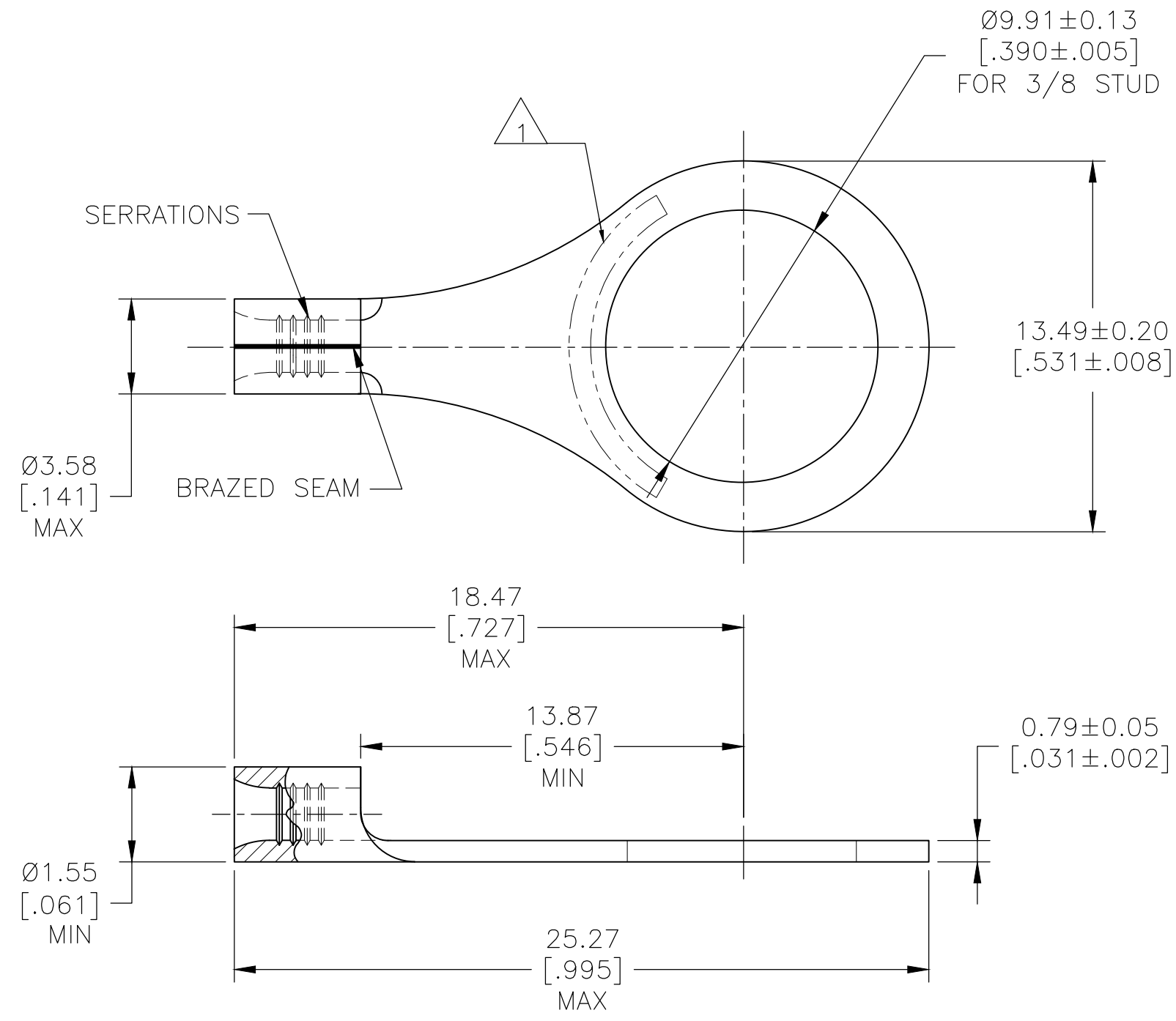


THIS DRAWING IS UNPUBLISHED. RELEASED FOR PUBLICATION  
 © COPYRIGHT - By - ALL RIGHTS RESERVED.

| P | LTR | DESCRIPTION               | DATE      | DWN | APVD |
|---|-----|---------------------------|-----------|-----|------|
|   | G   | REV PER 0G3A-0031-04      | 29JAN04   | -   | JR   |
|   | G1  | REVISED PER ECO-17-003799 | 20MAR2017 | BDA | DR   |



|                                |   |
|--------------------------------|---|
| <b>AMP</b><br>WIRE RANGE       | E13288<br>Listed                                |
| 22-16 AWG<br>SOLID OR STRANDED | 22-16 AWG<br>SOLID OR STRANDED                  |
| LR7189<br>Certified            | MILITARY P/N<br>AND CLASS                       |
| 22-16 AWG<br>SOLID OR STRANDED | M7928/7-6 CLASS 2<br>P/N 34115 & 2-34115-2 ONLY |

- 1 STAMP AMP 22-18\* APPROX AS SHOWN  
22-16 TERMINALS ARE STAMPED 22-18 IN  
ACCORDANCE WITH MILITARY SPECIFICATION  
SAE AS7928 COMMERCIAL WIRE RANGE IS 22-16
- 2 TIN PLATE 0.00254[.000100] MIN THK PER ASTM B-545
- 3 NICKEL PLATE 0.00762[.000300] MIN THK PER  
SAE AMS QQ-N-290
- 4 P/N 34115-1 IS NOT UL OR CSA APPROVED

| FINISH | QTY. | PACKAGE TYPE     | PART NUMBER |
|--------|------|------------------|-------------|
| 3      | 1000 | LOOSE PIECE      | 4 34115-1   |
| 2      | 100  | LOOSE PIECE, BOX | 8-34115-1   |
| 2      | 5000 | ON TAPE          | 2-34115-2   |
| 2      | 1000 | LOOSE PIECE      | 34115       |

AMP INCORPORATED  
CUSTOMER SERVICE SYSTEMS

|   |  |
|---|--|
| FOR ADDITIONAL<br>PRODUCT INFORMATION OR<br>COPIES OF DRAWINGS<br>AND TECHNICAL DOCUMENTS | PRODUCT INFORMATION CENTER<br>1-800-522-6752 |
| FOR APPLICATION<br>TOOLING INFORMATION  | TOOLING ASSISTANCE CENTER<br>1-800-722-1111  |
| FOR ORDER ENTRY   | 1-800-526-5142                               |

|  |
|--|
| MAX RECOMMENDED OPERATING<br>TEMPERATURE:<br>170°C [338°F] MAX   |
| VOLTAGE RATING:<br>NOT APPLICABLE  |
| WIRE CROSS SECTIONAL AREA RANGE,<br>0.26-1.65mm <sup>2</sup> [509-3,260] CIR MILS<br>SOLID OR STRANDED |

THIS DRAWING IS A CONTROLLED DOCUMENT.

|  |   |
|--|---|
| DIMENSIONS:<br>mm [INCHES]                       | TOLERANCES UNLESS<br>OTHERWISE SPECIFIED: |
|  | 0 PLC ± -                                 |
|  | 1 PLC ± -                                 |
|  | 2 PLC ± -                                 |
|  | 3 PLC ± -                                 |
|  | 4 PLC ± -                                 |
|  | ANGLES ± -                                |
| MATERIAL<br>COPPER PER<br>ASTM B-152<br>ANNEALED | FINISH<br>SEE TABLE                       |

|                                |   |
|--------------------------------|---|
| DWN<br>TA BRINKMAN<br>3-10-93  | NAME<br>TERMINAL, RING<br>TONGUE, SOLISTRAND<br>22-16 AWG |
| CHK<br>DA PATTERSON<br>3-10-93 |   |
| APVD<br>DE MILLER<br>3-10-93   |   |
| PRODUCT SPEC                   |   |
| APPLICATION SPEC               | SIZE<br>A3  |
| WEIGHT<br>-                    | CAGE CODE<br>00779  |
| CUSTOMER DRAWING               | DRAWING NO<br>C-34115                                     |



|               |              |                 |           |
|---------------|--------------|-----------------|-----------|
| RESTRICTED TO | SCALE<br>8:1 | SHEET<br>1 OF 1 | REV<br>G1 |
|---------------|--------------|-----------------|-----------|

单击下面可查看定价，库存，交付和生命周期等信息

[>>TE Connectivity\(泰科\)](#)