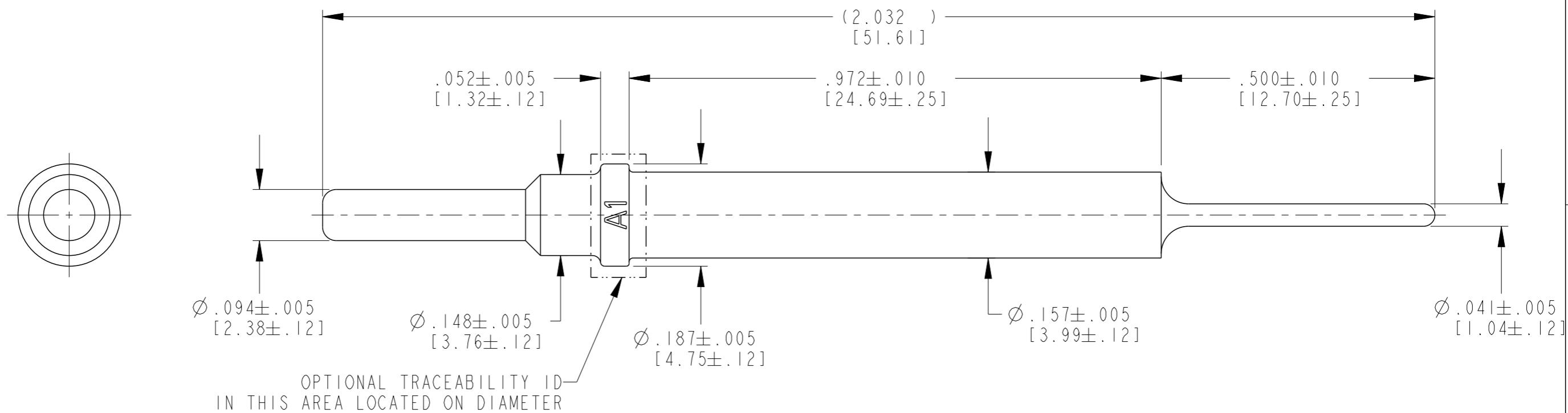


REVISIONS

P	LTR	DESCRIPTION	DATE	DWN	APVD
	NC	NEW RELEASE PER E.O. P19398	17NOV2006	JA	RR
	A	REVISED PER PCN-20-014698	11NOV2020	CL	IG



TE INTERNAL PN	DEUTSCH PN	PLATING
0460-244-1231	0460-244-1231	GOLD
0460-244-1290	0460-244-12309	TIN

1. FOR CONTACT APPLICATION, SEE INSTRUCTION SHEET 408-151078.

NOTES:

THIS DRAWING IS A CONTROLLED DOCUMENT.		DWN J. APOSTOL 25OUCT2006	TE TE Connectivity	
DIMENSIONS: INCHES [mm]		CHK B. BYFORD 2NOV2006		
TOLERANCES UNLESS OTHERWISE SPECIFIED:		APVD R. REED 17NOV2006	NAME CONTACT PIN SIZE 12 EXTENSION	
0 PLC ±		PRODUCT SPEC -	SIZE A3	
1 PLC ±		APPLICATION SPEC 1	CAGE CODE 4AFU8	DRAWING NO C-0460-245-12XX
2 PLC ±		WEIGHT 3.6g	RESTRICTED TO -	
3 PLC ±		CUSTOMER DRAWING	SCALE 5:1	SHEET 1 OF 1
4 PLC ±			REV A	
ANGLES ±				
FINISH SEE TABLE				

单击下面可查看定价，库存，交付和生命周期等信息

[>>TE Connectivity\(泰科\)](#)