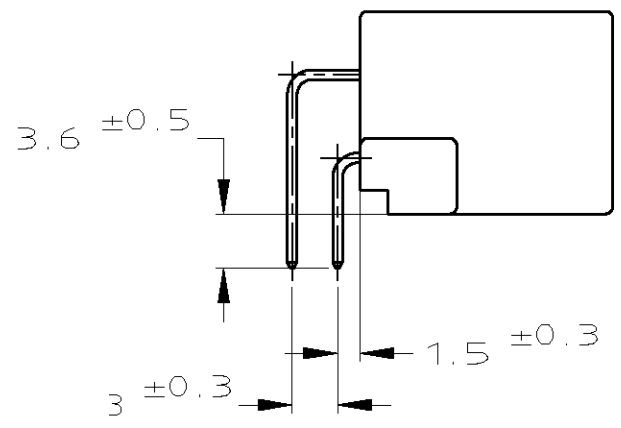
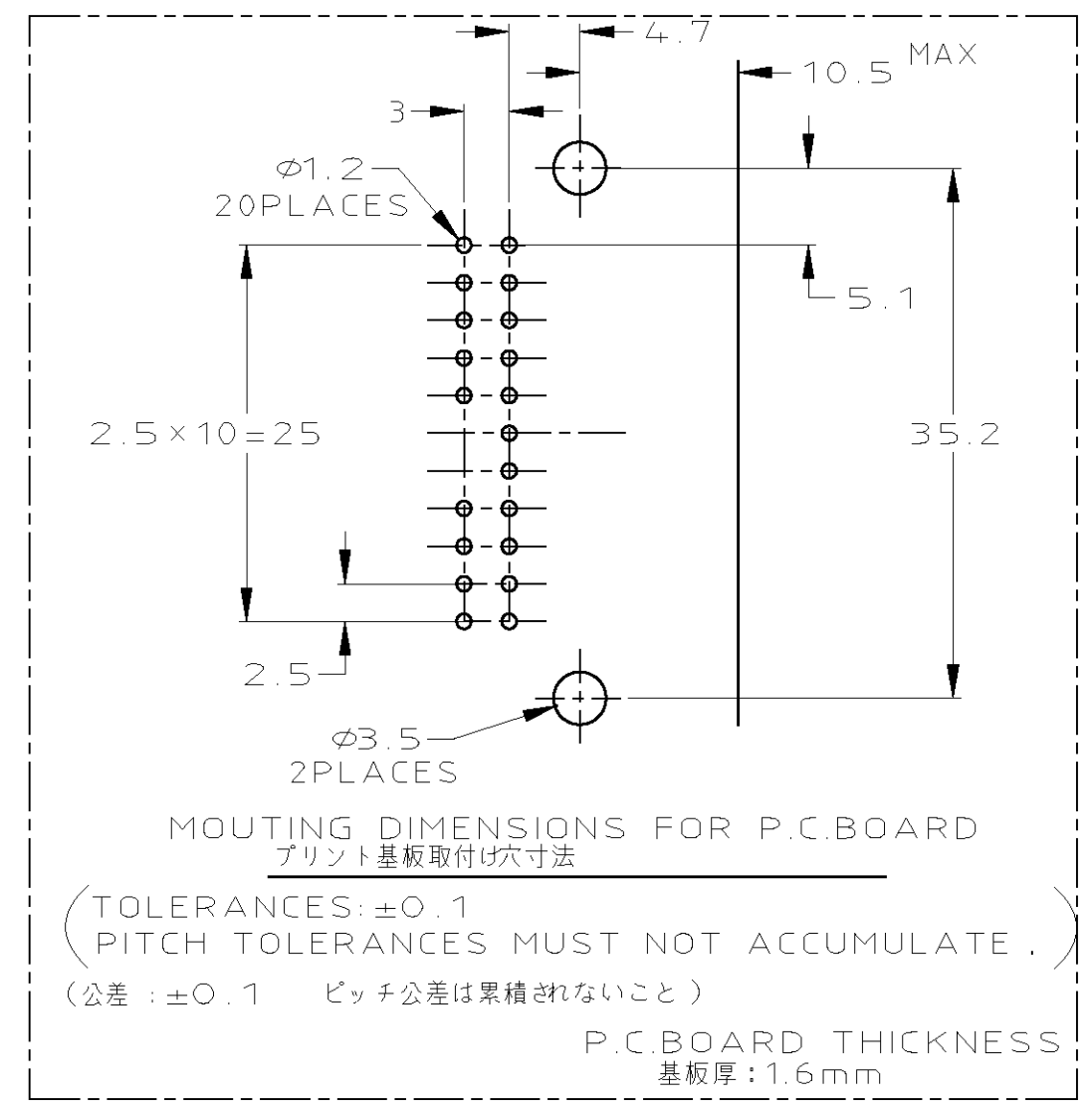
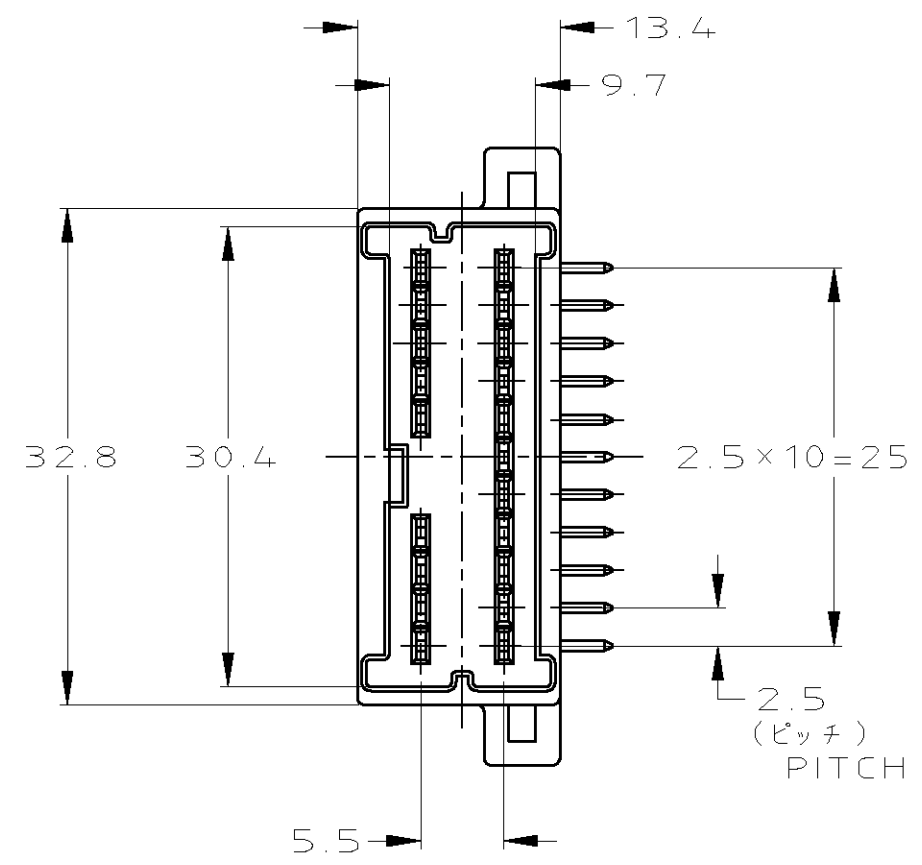
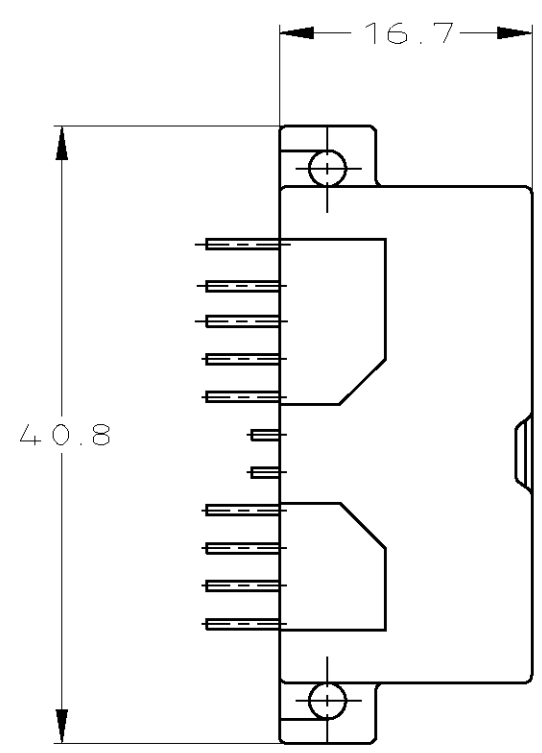


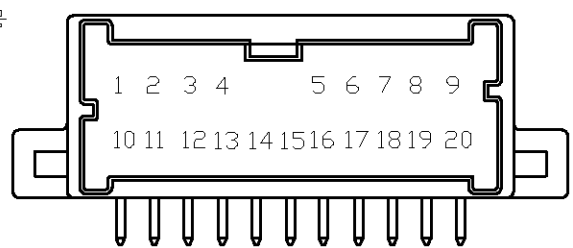
THIS DRAWING IS UNPUBLISHED. RELEASED FOR PUBLICATION  
 © COPYRIGHT - By Tyco Electronics Japan G.K. ALL RIGHTS RESERVED.

| LOC | DIST | REVISIONS |     |             |               |     |      |
|-----|------|-----------|-----|-------------|---------------|-----|------|
| J   | -    | P         | LTR | DESCRIPTION | DATE          | DWN | APVD |
|     |      | C         |     | REVISED     | ECR-11-008701 | TS  | KB   |



1. RECOMMENDED MOUNTING SCREW :  
 PAN-HEADED, TYPE 2 TAPPING SCREW OF  
 3DIA × 6LENGTH (JIS B1115, B1122) ,  
 TIGHTENING TORQUE : 0.39N・m MAX.  
 2. CIRCUIT NUMBER

1. 推奨取付ネジ : JIS B1115, B1112  
 タッピングネジ, なべ2種, 呼び径3, 長さ6,  
 締め付けトルク ; 0.39N・m 以下  
 2. 回路番号



|          |  |  |  |                  |                   |
|----------|--|--|--|------------------|-------------------|
| OBSOLETE | 錫めっき(17) 金めっき(3)<br>PRE-TINNED(17) GOLD(3) | 16,18,20 $\triangle$                                     | 1123379-1                                    | 自然色<br>(NATURAL) | 1123425-2         |
|          | 錫めっき(20)<br>PRE-TINNED(20)                 | $\frac{+}{-}$  | 1123379-1                                    | 自然色<br>(NATURAL) | 1123425-1         |
|          | 端子仕上げ(本数)<br>FINISH OF CONTACT             | 金めっき端子使用回路番号<br>CIRCUIT NUMBER OF<br>GOLD PLATED CONTACT | 嵌合相手ハウジング型番<br>MATING HOUSING<br>PART NUMBER | 色<br>(COLOR)     | 型番<br>PART NUMBER |

TOLERANCES UNLESS OTHERWISE SPECIFIED:

|          |            |
|----------|------------|
| 一般公差     | 10% : ±0.2 |
| 30% > 10 | ±0.25      |
| 10% > 30 | ±0.3       |
| ANGLE    | ±0.3°      |

THIS DRAWING IS A CONTROLLED DOCUMENT.

|                            |  |
|----------------------------|--|
| DIMENSIONS:<br>単位: 概<br>mm | TOLERANCES UNLESS OTHERWISE SPECIFIED:<br>一般公差 |
|                            | 0 PLC ±-                                       |
|                            | 1 PLC ±-                                       |
|                            | 2 PLC ±-                                       |
|                            | 3 PLC ±-                                       |
|                            | 4 PLC ±-                                       |
|                            | ANGLES ±-                                      |
| MATERIAL<br>材料             | FINISH<br>仕上                                   |
| PBT                        | -  |

|                                  |   |               |
|----------------------------------|---|---------------|
| DWN<br>T.MINEMATSU<br>08APR98    | <b>STE</b> TE Connectivity  |               |
| CHK<br>E.SASAKI<br>08APR98       |   |               |
| APVD<br>M.TSUKAKOSHI<br>08APR98  | NAME<br>040III MULTILOCK CONNECTOR 20POS CAP<br>HOUSING ASSEMBLY WIRE TO BOARD (H) TYPE |               |
| PRODUCT SPEC<br>製品規格<br>108-5603 | SIZE  | CAGE CODE     |
| APPLICATION SPEC<br>取付適用規格       | A3  | 00779         |
| WEIGHT<br>5.6 g                  | DRAWING NO<br>番号  | RESTRICTED TO |
| CUSTOMER DRAWING                 | C-1123425   | -             |
| SCALE<br>尺度 2:1                  | SHEET<br>1 OF 1   | REV<br>C      |

单击下面可查看定价，库存，交付和生命周期等信息

[>>TE Connectivity\(泰科\)](#)