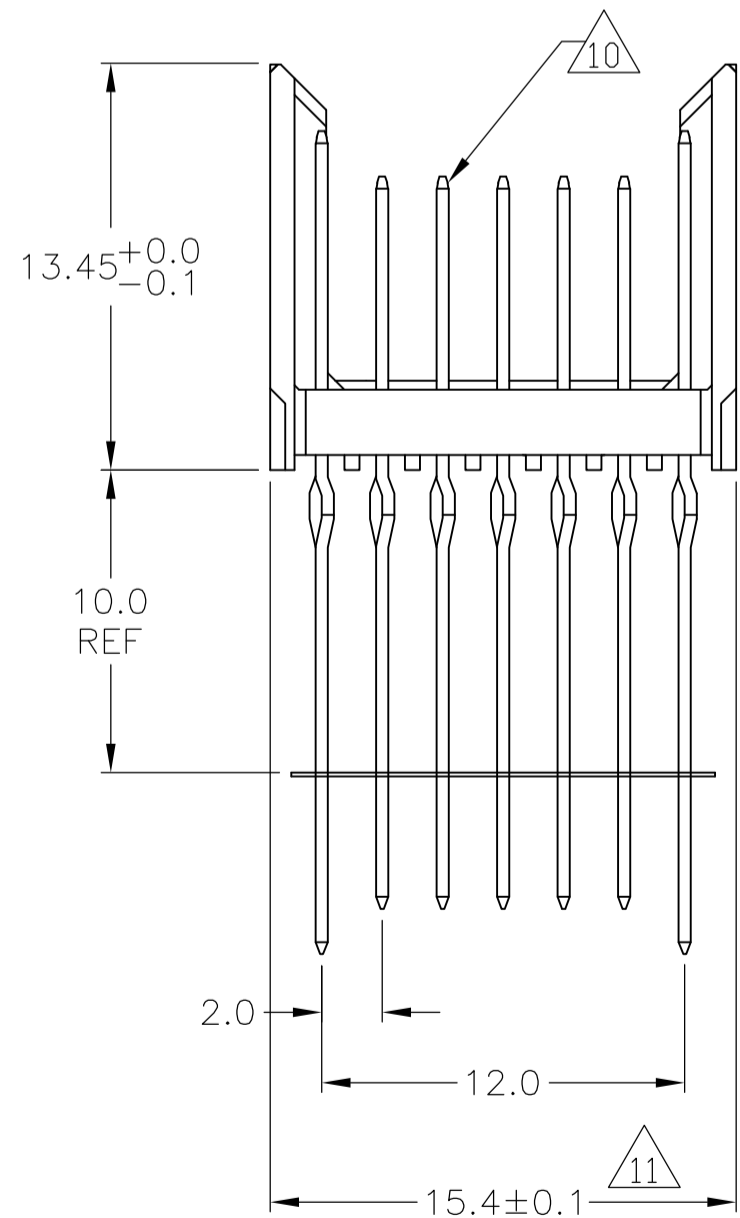
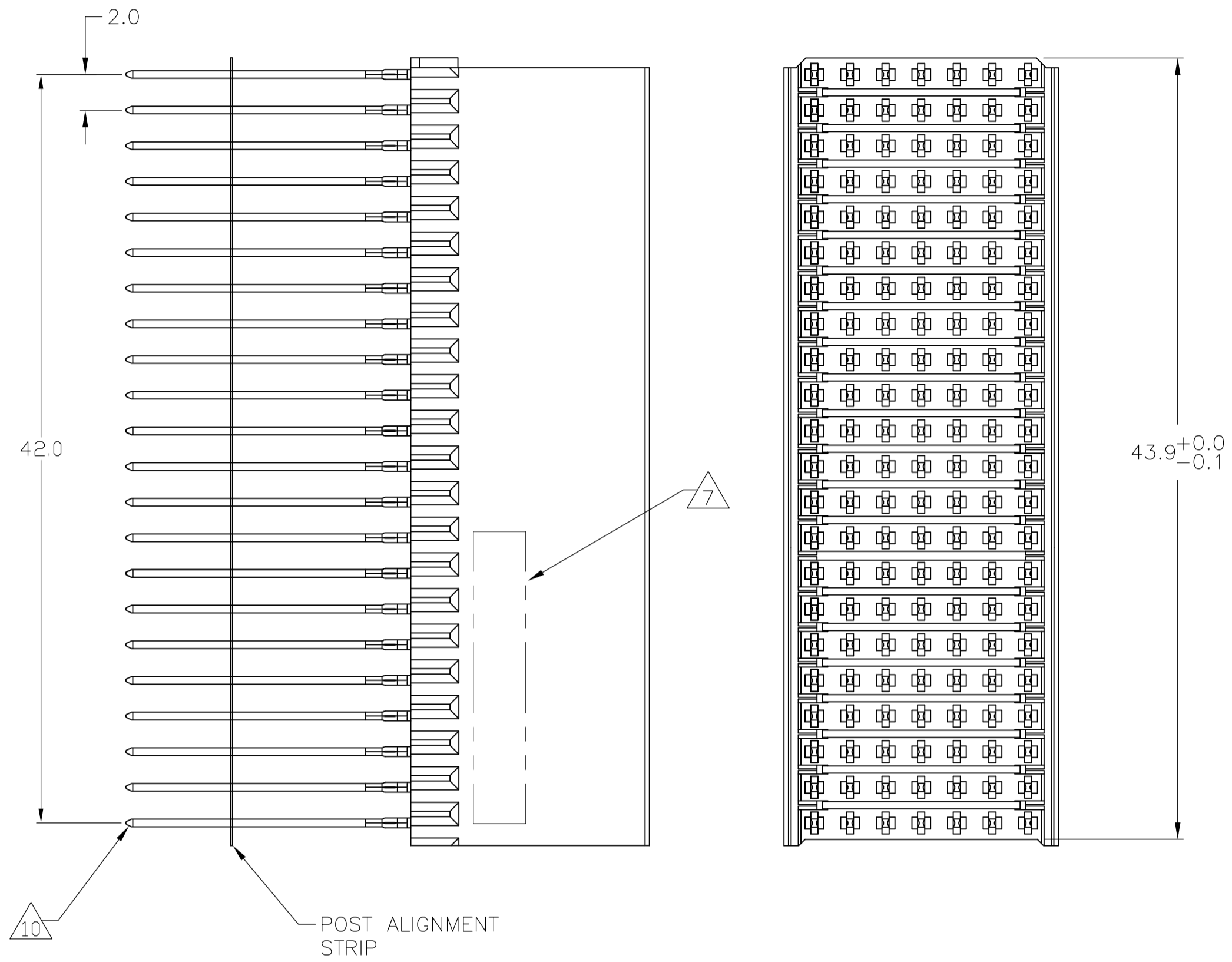
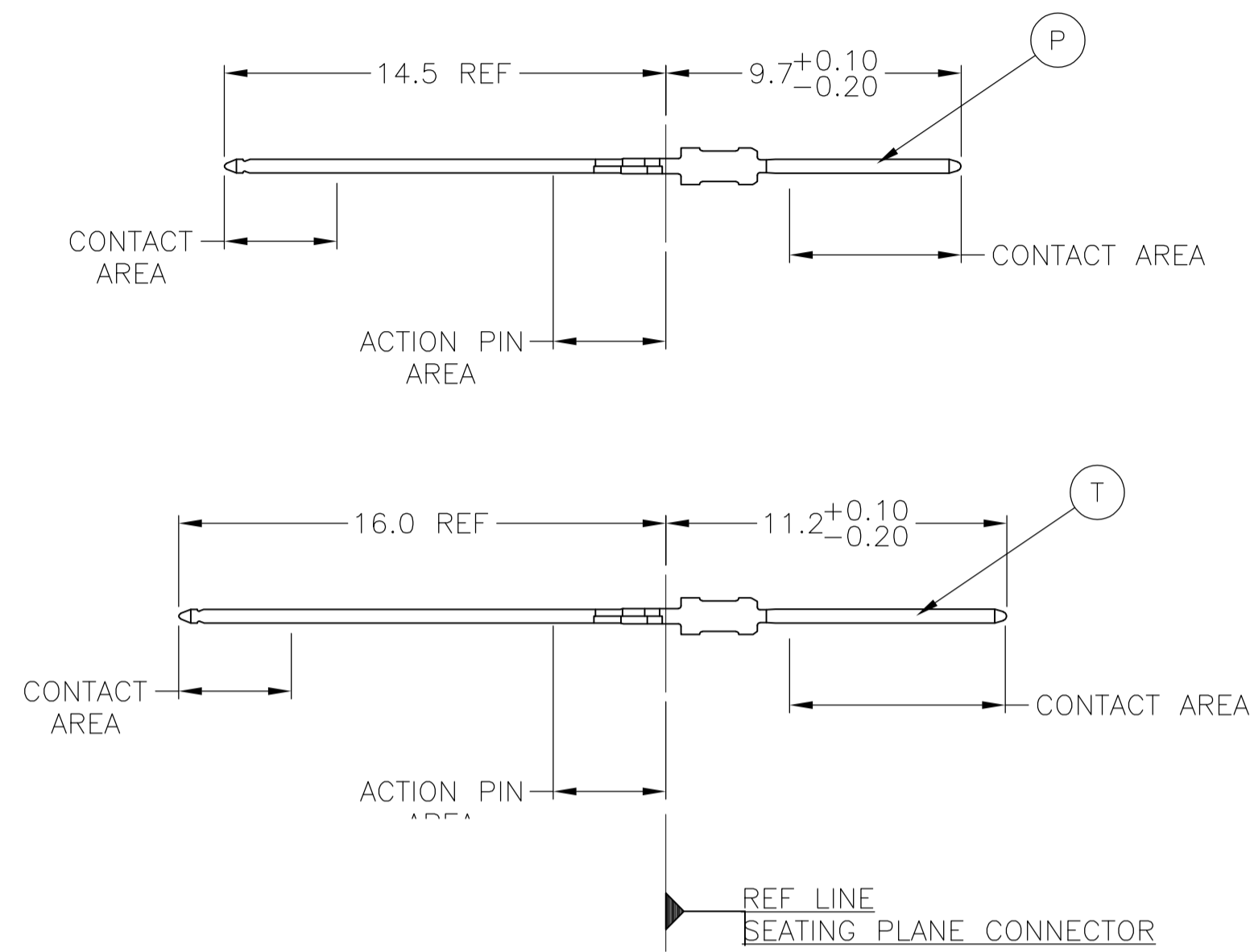


### CONNECTOR ASSEMBLY EXAMPLARY LOADED 9



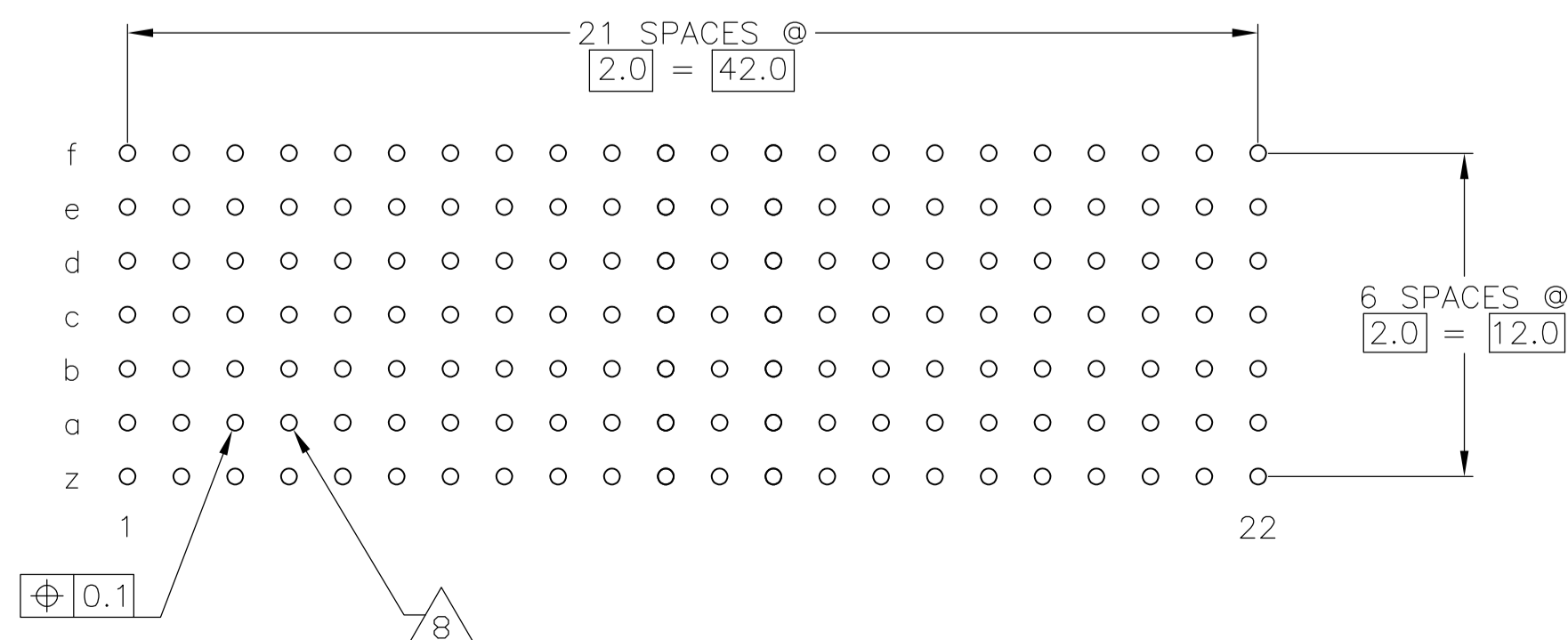
### CONTACT DIMENSIONS SCALE 5:1



### CONTACT LAYOUT

	z	a	b	c	d	e	f
1	T	P	P	P	P	P	T
2	T	P	P	P	P	P	T
3	T	P	P	P	P	P	T
4	T	P	P	P	P	P	T
5	T	P	P	P	P	P	T
6	T	P	P	P	P	P	T
7	T	P	P	P	P	P	T
8	T	P	P	P	P	P	T
9	T	P	P	P	P	P	T
10	T	P	P	P	P	P	T
11	T	P	P	P	P	P	T
12	T	P	P	P	P	P	T
13	T	P	P	P	P	P	T
14	T	P	P	P	P	P	T
15	T	P	P	P	P	P	T
16	T	P	P	P	P	P	T
17	T	P	P	P	P	P	T
18	T	P	P	P	P	P	T
19	T	P	P	P	P	P	T
20	T	P	P	P	P	P	T
21	T	P	P	P	P	P	T
22	T	P	P	P	P	P	T

### RECOMMENDED PCB-HOLE LAYOUT COMPONENT SIDE SHOWN



### PLATED THRU HOLES PARAMETERS

REFERENCE APPLICATION SPECIFICATION


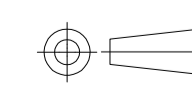
2 6 12	1-5352128-9
2 5 12	5352128-9
2 4 4	5352128-4
2 3 3	5352128-1
FINISH	PART NUMBER

THIS DRAWING IS A CONTROLLED DOCUMENT.

DIMENSIONS: mm	TOLERANCES UNLESS OTHERWISE SPECIFIED: ±0.2	DIN B CARBO 15JUL05	APVD G SKIPPER 15JUL05	NAME	MALE ASSEMBLY, Z-PACK 2mm HM, TYPE B
MATERIAL 1	FINISH SEE TABLE	108-19082	114-19029	SIZE A1	CAGE CODE 00779
CUSTOMER DRAWING		SCALE 4:1		SHEET 1 OF 2	

LOC		DIST		REVISIONS				
P	LTR	DESCRIPTION	DATE	DN	APVD			
-	-	SEE SHEET 1	-	-	-			

- 1 MATERIAL:  
CONTACT: PHOSPHOR BRONZE.  
HOUSING: GLASS-FILLED POLYESTER.
- 2 GENERAL PLATING SPECIFICATION: UNDERPLATING  
(ENTIRE CONTACT): 1.27µm MIN NICKEL AND ACTION  
PIN: 0.5µm MIN TIN.  
FOR PLATING OF MATING SURFACES SEE APPLICABLE  
SPECIFICATION REFERENCE FOR EACH DASH NUMBER.
- 3 CONFORMS TO ALL TESTING ACCORDING TO IEC 61076-4-101  
PERFORMANCE LEVEL 2.
- 4 CONFORMS TO ALL TESTING ACCORDING TO IEC 61076-4-101  
PERFORMANCE LEVEL 1.
- 5 CONNECTOR TESTED AND QUALIFIED AGAINST TELCORDIA GR-1217-CORE QUALITY LEVEL 3,  
CENTRAL OFFICE APPLICATIONS.
- 6 CONNECTOR TESTED AND QUALIFIED AGAINST TELCORDIA GR-1217-CORE QUALITY LEVEL 3,  
UNCONTROLLED ENVIROMENT APPLICATIONS.
- 7 CONNECTOR MARKED WITH PART NUMBER AND DATE CODE.  
ADDITIONAL CHARACTERS OR MARKINGS, AS WELL AS THE LOCATION OF THE MARKINGS,  
MAY BE ADDED FOR TRACEABILITY BASED UPON MANUFACTURERS DISCRETION.
- 8 PLATED-THROUGH HOLES AT 2x2mm SQUARE GRID  
PATTERN DEFINED BY CONTACT LAYOUT.
- 9 FOR ACTUAL PIN LOADING SEE "CONTACT LAYOUT".
- 10 FOR ACTUAL PIN DIMENSIONS SEE "CONTACT DIMENSIONS".
- 11 TO BE MEASURED AT BOTTOM OF SHROUD.
- 12 CONNECTOR LUBRICATED WITH BELCORE APPROVED LUBRICANT,  
TECHNICAL REFERENCE: TR-NWT-001217 ISSUE 1, SEP 1992.

THIS DRAWING IS A CONTROLLED DOCUMENT.		DIN B CARBO 15JUL05		 TE Connectivity	
DIMENSIONS: mm		GSKIPPER 15JUL05			
TOLERANCES UNLESS OTHERWISE SPECIFIED:		APVD GSKIPPER 15JUL05		NAME	
0-PLC ± 1-PLC ± 0.1 2-PLC ± 3-PLC ± 4-PLC ± ANGLES ±		PRODUCT SPEC		MALE ASSEMBLY, Z-PACK 2mm HM, TYPE B	
		108-19082		SIZE	
MATERIAL SEE SHEET 1		APPLICATION SPEC		CAGE CODE DRAWING NO	
FINISH SEE SHEET 1		114-19029		A1 00779 C=5352128	
WEIGHT		CUSTOMER DRAWING		RESTRICTED TO	
SCALE 4:1		SHEET 2 OF 2		REV C	

单击下面可查看定价，库存，交付和生命周期等信息

[>>TE Connectivity\(泰科\)](#)