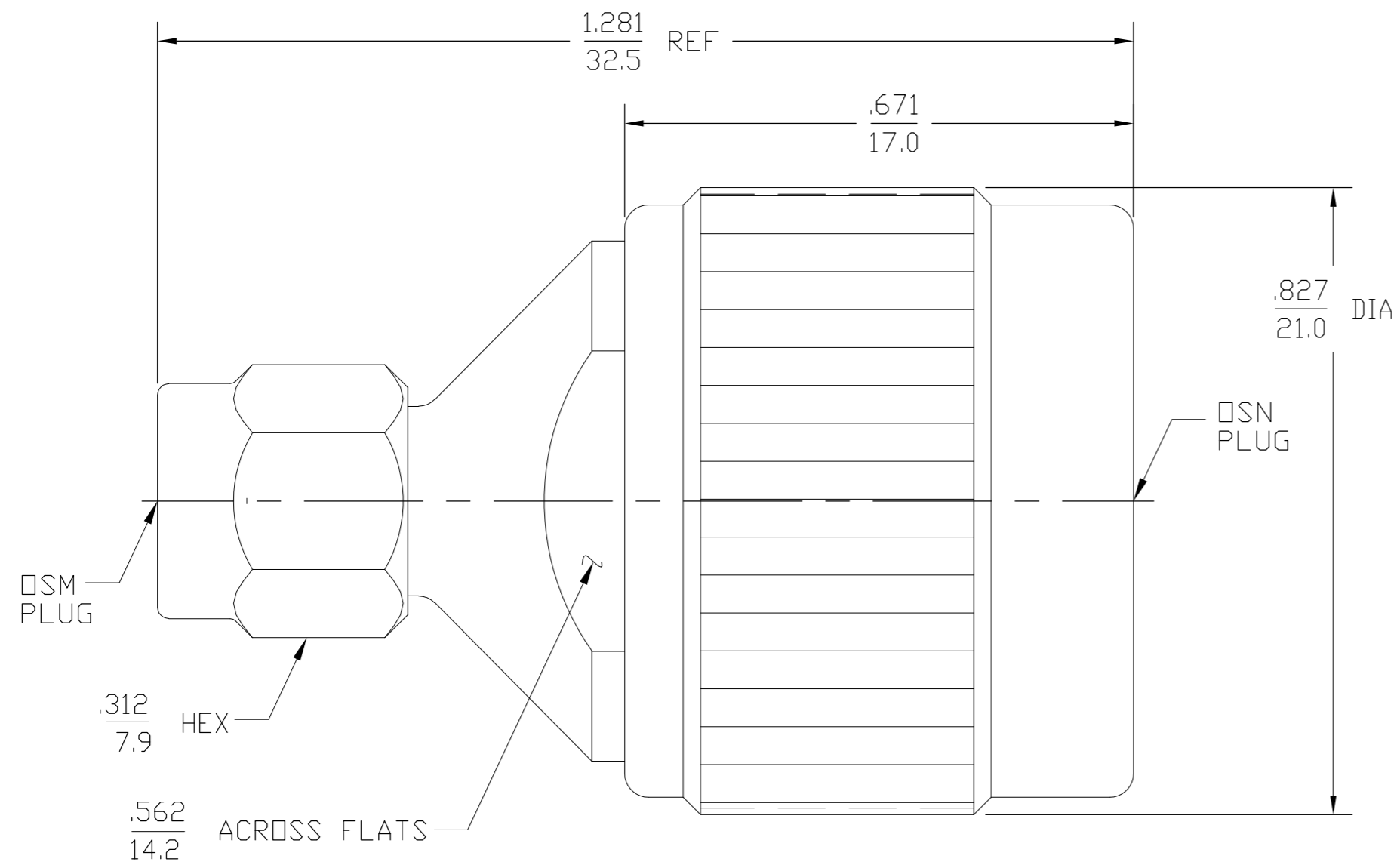


THIS DRAWING IS UNPUBLISHED. RELEASED FOR PUBLICATION
 © COPYRIGHT BY TYCO ELECTRONICS CORPORATION. ALL RIGHTS RESERVED.

LOC	DIST	REVISIONS					
AJ	00	P	LTR	DESCRIPTION	DATE	DWN	APVD
		B		REV PER ECO 07-004710	3/1/2007	DW	KW



1057367-1
 PART NUMBER

COMPONENT	MATERIAL	FINISH
HOUSING COUPLING NUT	STAINLESS STEEL PER ASTM-A484 AND ASTM-A582, TYPE 303	GOLD PLATE PER MIL-G-45204
DIELECTRIC	TFE FLUOROCARBON PER ASTM-D-1457	N/A
CENTER CONTACT	BERYLLIUM COPPER PER ASTM-B-196 OR ASTM-B-197, ALLOY C17300, CONDITION H OR BRASS PER ASTM-B-16	GOLD PLATE PER MIL-G-45204
RETAINING RING	BERYLLIUM COPPER PER ASTM-B-194, ALLOY C17200, CONDITION H	N/A
GASKET	SILICONE RUBBER PER ZZ-R-765	N/A

NOTES:
 1. CAPTURED CENTER CONTACT.

.XXX = in
 XX.X = mm

THIS DRAWING IS A CONTROLLED DOCUMENT.		DWN 2-24-77	tyco Tyco Electronics Corporation	
DIMENSIONS: INCHES		DRW 5-26-77	Harrisburg, PA 17105-3608	
TOLERANCES UNLESS OTHERWISE SPECIFIED:		CHK KWW	NAME OSM PLUG TO OSN PLUG ADAPTER	
0 PLC ± -		APVD RME 5-31-77	SIZE CAGE CODE DRAWING NO RESTRICTED TO	
1 PLC ± -		PRODUCT SPEC	A2 00779 C=1057367	
2 PLC ± -		APPLICATION SPEC	SCALE 4:1 SHEET 1 of 1 REV B	
3 PLC ± -		WEIGHT -		
4 PLC ± -		FINISH -		
ANGLES ± -		CUSTOMER DRAWING		

单击下面可查看定价，库存，交付和生命周期等信息

[>>TE Connectivity\(泰科\)](#)