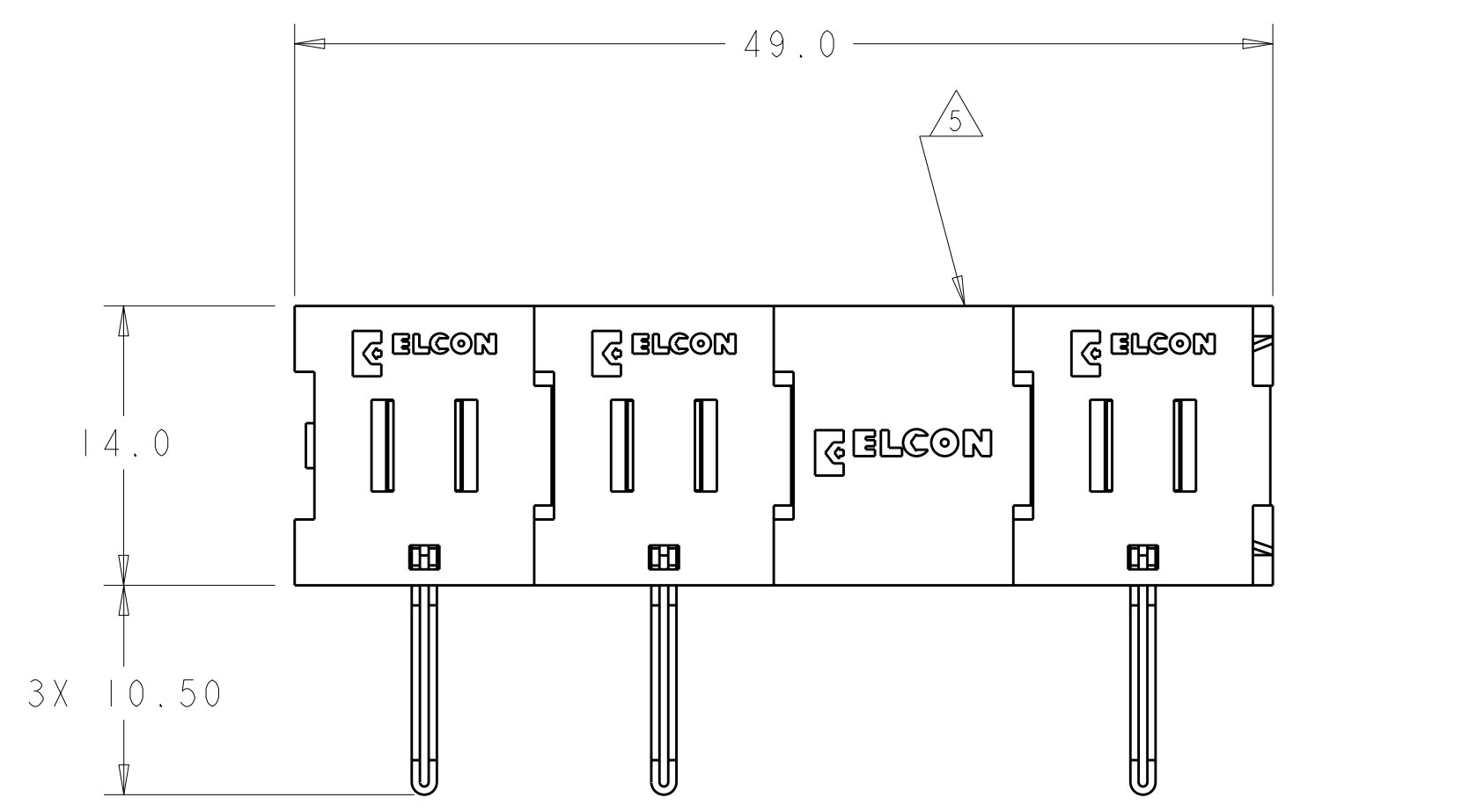


THIS DRAWING IS UNPUBLISHED. RELEASED FOR PUBLICATION 20  
 © COPYRIGHT 20 BY TYCO ELECTRONICS CORPORATION. ALL RIGHTS RESERVED.

LOC	DIST	REVISIONS			
P	LTR	DESCRIPTION	DATE	DWN	APVD
GP	00	A	RELEASED	11DEC2008	RG PD
		B	REV PER ECO-09-001437	29JAN2009	RG PD



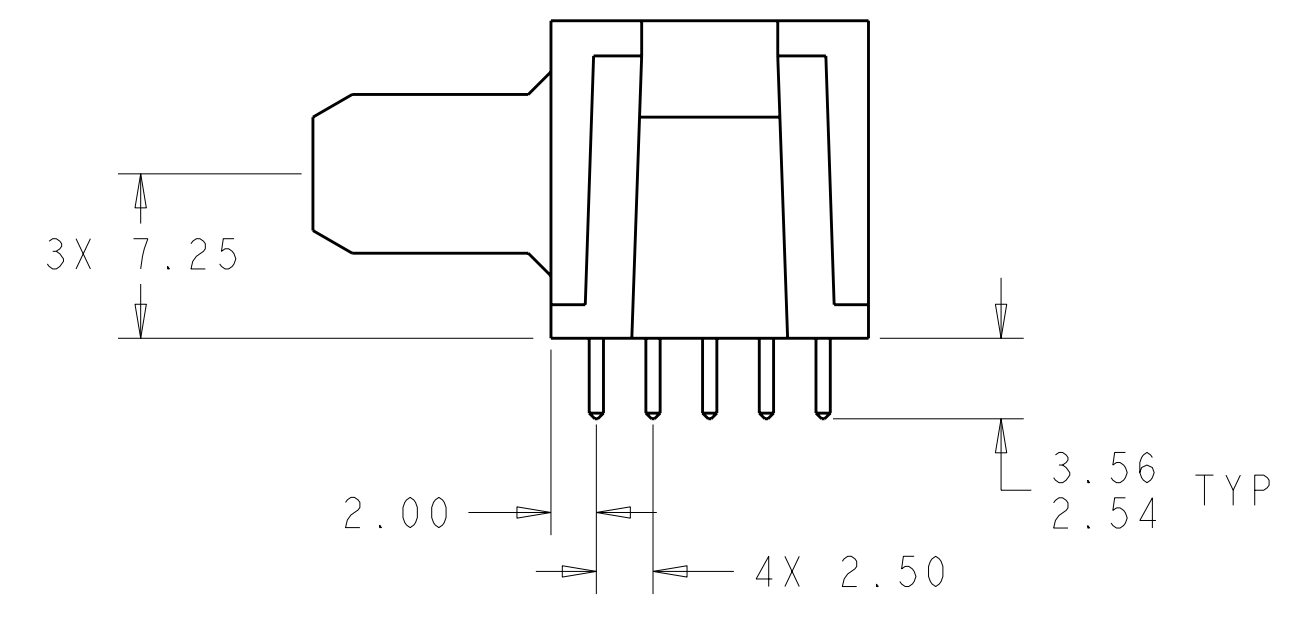
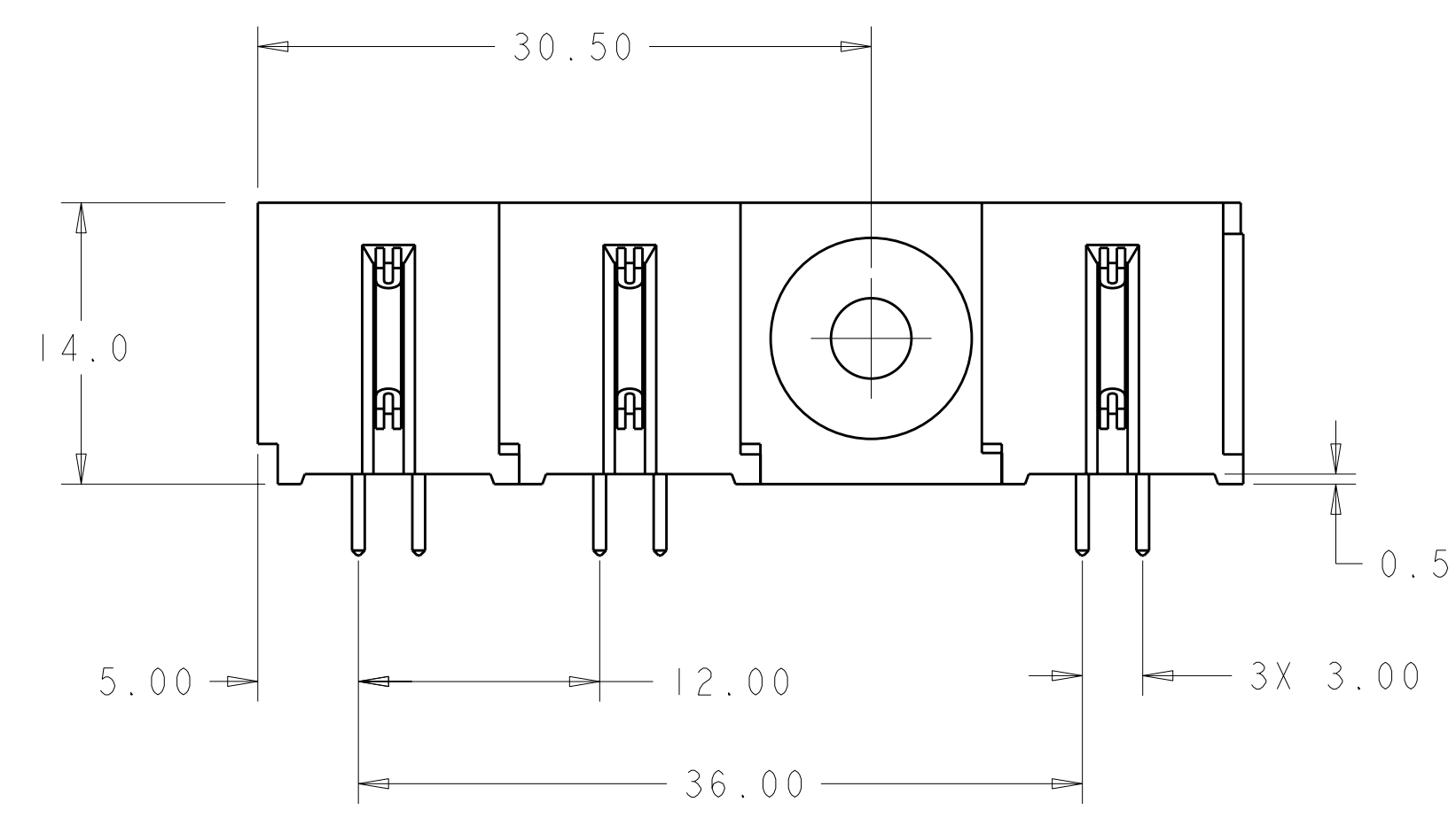
- PART NUMBER CHANGES AND OR DESIGN CHANGES AFFECTING ITEM INTERCHANGEABILITY REQUIRE PRIOR TYCO ELECTRONICS APPROVAL AND AUTHORIZATION BY REVISION TO THIS DRAWING.
- MATERIAL:  
 INSULATORS - THERMOPLASTIC, GLASS REINFORCED, COLOR: BLACK, UL94V-0 FLAMMABILITY RATED.  
 POWER CONTACTS - PHOSPHOR BRONZE ALLOY, COPPER ALLOY  
 CROWN BAND-BERYLLIUM COPPER ALLOY
- FINISH:  
 CONTACTS - GOLD PLATE .76µM MIN. THK., OVER NICKEL 1.27µM MIN. THK  
 SOLDER TAILS, TIN 3.05µM MIN. THK.  
 OVER NICKEL 1.27µM MIN THK

△ ITEMS PROVIDED TO THIS SPECIFICATION TO BE PERMANENTLY IDENTIFIED PER THE FOLLOWING IDENTIFIER LABEL

YEAR    WEEK   

TYCO ELECTRONICS P/N      DATE CODE (e.g. 0106)

XXXXXXX-X                      XXXX



5. CONNECTOR MATES WITH P/N 2085056-1.

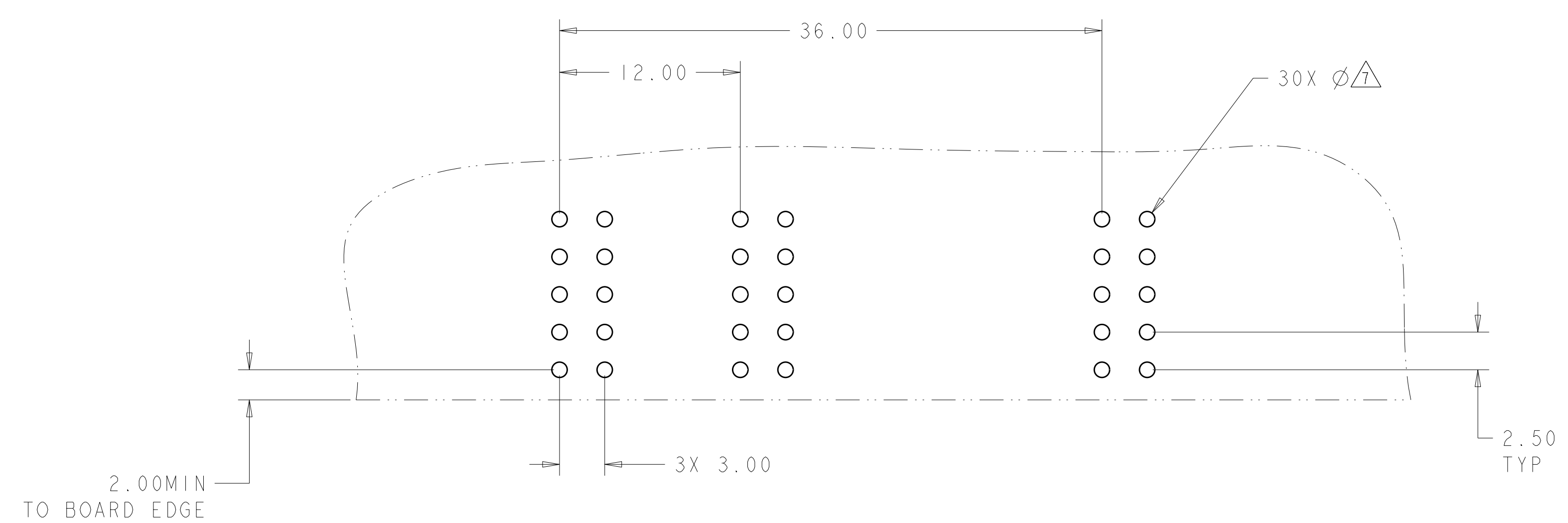
AS SHOWN	2085055-1
DESCRIPTION	PART NUMBER

**ELCON FLATPAQ**

THIS DRAWING IS A CONTROLLED DOCUMENT FOR TYCO ELECTRONICS CORPORATION. IT IS SUBJECT TO CHANGE AND THE CONTROLLING ENGINEERING ORGANIZATION SHOULD BE CONTACTED FOR THE LATEST REVISION.		DWN R. GRZYBOWSKI 25NOV08	Tyco Electronics Harrisburg, PA 17105-3608	
DIMENSIONS: mm		CHK P. DAMATO 25NOV08	NAME P. IN CONNECTOR ASSEMBLY RIGHT ANGLE, SOLDER TAILS FLATPAQ	
TOLERANCES UNLESS OTHERWISE SPECIFIED:		APVD M. PERCHERKE 25NOV08	SIZE A2 CAGE CODE C-2085055	
0 PLC ±-		PRODUCT SPEC -	RESTRICTED TO -	
1 PLC ±.5		APPLICATION SPEC -	SCALE 3:1 SHEET 1 OF 3 REV B	
2 PLC ±.25		WEIGHT -		
3 PLC ±-		CUSTOMER DRAWING		
4 PLC ±-				
ANGLES ±.5				
FINISH -				

THIS DRAWING IS UNPUBLISHED. RELEASED FOR PUBLICATION 20  
 © COPYRIGHT 20 BY TYCO ELECTRONICS CORPORATION. ALL RIGHTS RESERVED.

LOC	DIST	REVISIONS					
GP	00	P	LTR	DESCRIPTION	DATE	DWN	APVD
		-		SEE SHEET 1			



PRINTED CIRCUIT LAYOUT  
 COMPONENT SIDE

CONNECTOR	EQUIVALENT CATALOG MODULE #	MODULE QTY	CONTACT QTY	SIZE NO.	MATING PIN	MAX. CURRENT (PER CONTACT)	CONTACT SPACING	VOLTAGE RATING
PIN	FPI21	3	3	8	1.25 X 7.00	35 amps	12.00	600 VOLTS
	FP506	1	PASSIVE RIGHT ANGLE GUIDE SOCKET					

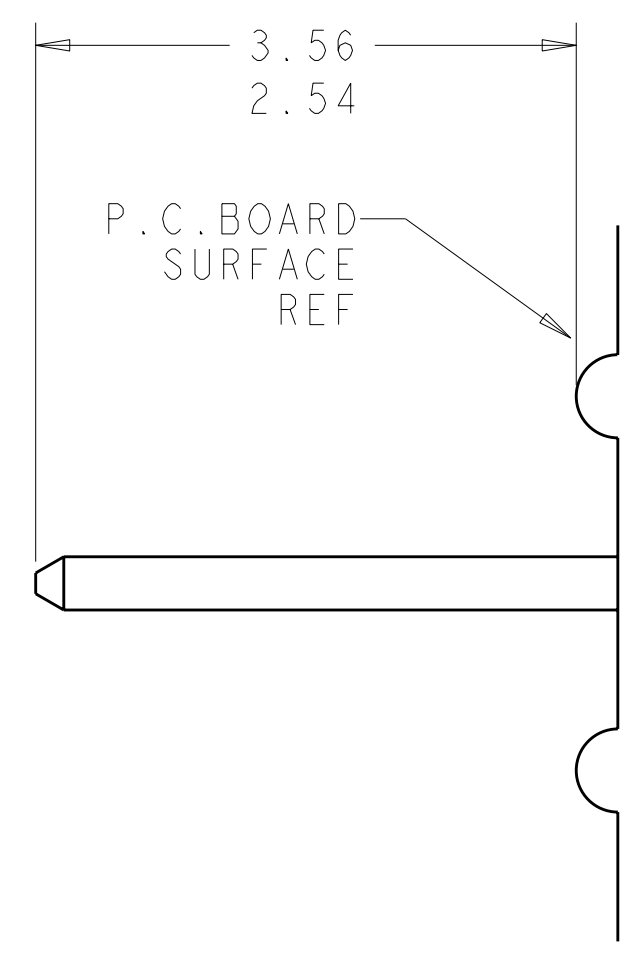
**ELCON** **FLATPAQ**

THIS DRAWING IS A CONTROLLED DOCUMENT FOR TYCO ELECTRONICS CORPORATION. IT IS SUBJECT TO CHANGE AND THE CONTROLLING ENGINEERING ORGANIZATION SHOULD BE CONTACTED FOR THE LATEST REVISION.

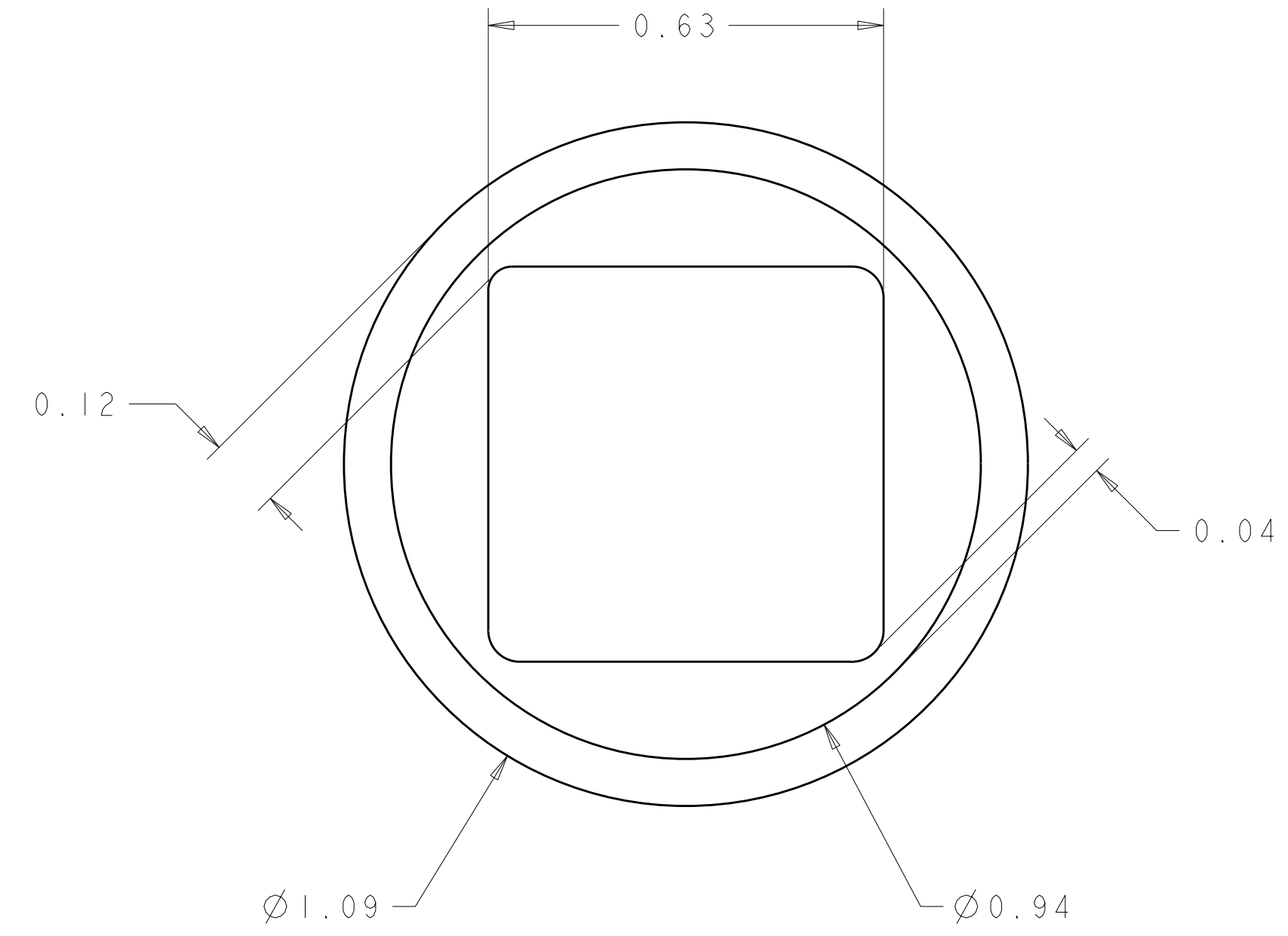
DWN	R. GRZYBOWSKI	25NOV08	Tyco Electronics Harrisburg, PA 17105-3608			
CHK	P. DAMATO	25NOV08				
APVD	M. PERCHERKE	25NOV08				
NAME	PIN CONNECTOR ASSEMBLY RIGHT ANGLE, SOLDER TAILS FLATPAQ					
DIMENSIONS:	mm	TOLERANCES UNLESS OTHERWISE SPECIFIED:	SIZE	CAGE CODE	DRAWING NO	RESTRICTED TO
		0 PLC ±-	A2	00779	C-2085055	-
		1 PLC ±.5	SCALE	3:1	SHEET	2 OF 3
		2 PLC ±.25			REV	B
		3 PLC ±-	CUSTOMER DRAWING			
		4 PLC ±-				
MATERIAL	-	ANGLES ±.5				
		FINISH -				

THIS DRAWING IS UNPUBLISHED. RELEASED FOR PUBLICATION 20  
 © COPYRIGHT 20 BY TYCO ELECTRONICS CORPORATION. ALL RIGHTS RESERVED.

LOC	DIST	REVISIONS			
P	LTR	DESCRIPTION	DATE	DWN	APVD
GP	00	-	SEE SHEET 1	-	-



6. SOLDER PIN DETAIL  
SCALE 10:1



7 SOLDER TERMINATION AREA  
SCALE 40:1  
RECOMMENDED PRINTED CIRCUIT SOLDER HOLE  
FINISHED HOLE: Ø1.02 ±.08  
DRILLED HOLE: Ø1.15 ±.013  
COPPER PLATE: .025 MIN.  
TIN PLATE: .008 MIN. (PER SURFACE)

ELCON FLATPAQ

THIS DRAWING IS A CONTROLLED DOCUMENT FOR TYCO ELECTRONICS CORPORATION. IT IS SUBJECT TO CHANGE AND THE CONTROLLING ENGINEERING ORGANIZATION SHOULD BE CONTACTED FOR THE LATEST REVISION.		DWN R. GRZYBOWSKI 25NOV08	Tyco Electronics Harrisburg, PA 17105-3608	
DIMENSIONS: mm		CHK P. DAMATO 25NOV08	NAME PIN CONNECTOR ASSEMBLY RIGHT ANGLE, SOLDER TAILS FLATPAQ	
TOLERANCES UNLESS OTHERWISE SPECIFIED: 0 PLC ±- 1 PLC ±.5 2 PLC ±.25 3 PLC ±- 4 PLC ±- ANGLES ±.5 FINISH		APVD M. PERCHERKE 25NOV08	SIZE A200779	DRAWING NO C-2085055
MATERIAL		PRODUCT SPEC - APPLICATION SPEC -	RESTRICTED TO -	
-		WEIGHT -	SCALE 3:1	SHEET 3 OF 3 REV B
		CUSTOMER DRAWING		

单击下面可查看定价，库存，交付和生命周期等信息

[>>TE Connectivity\(泰科\)](#)