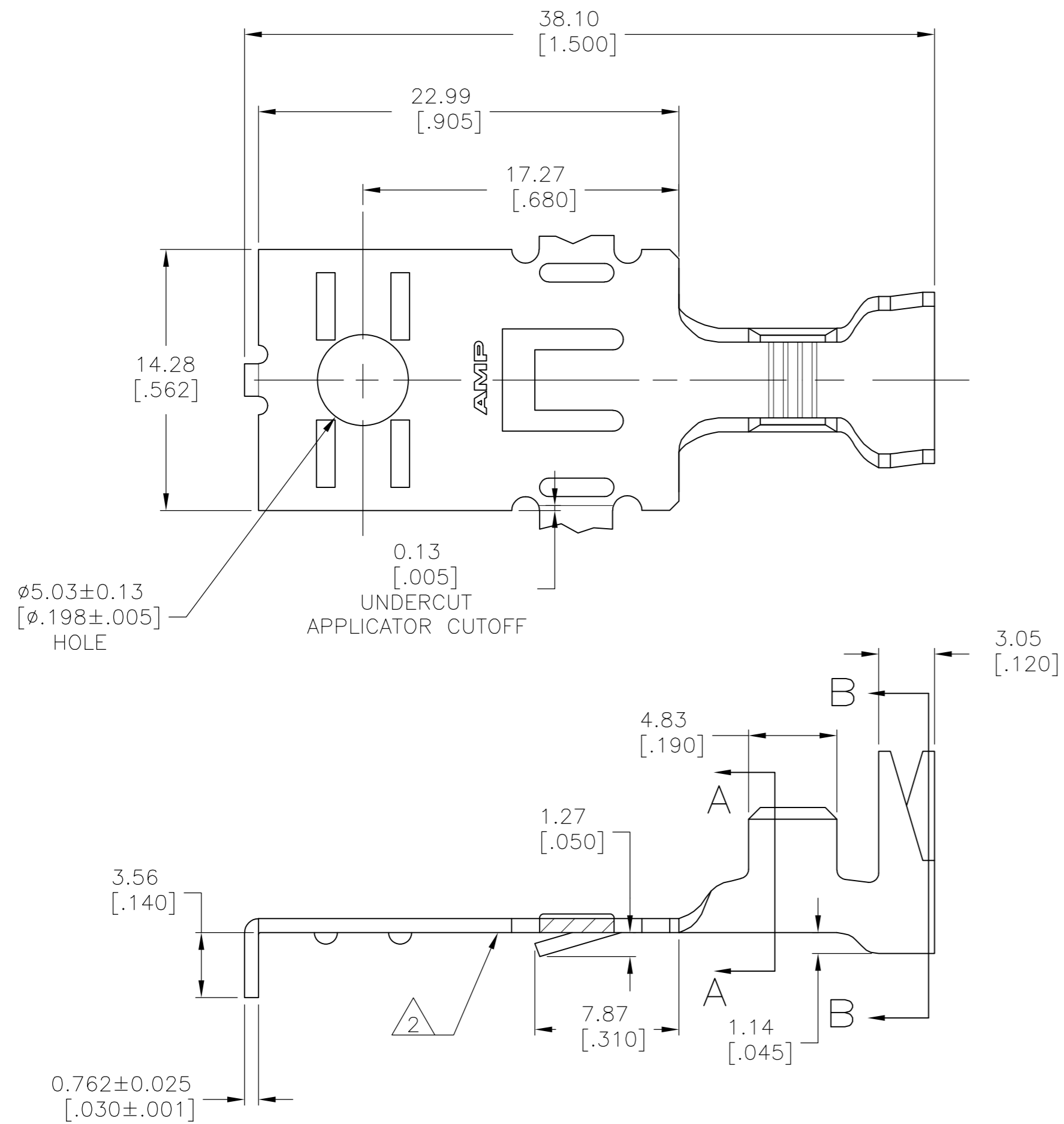
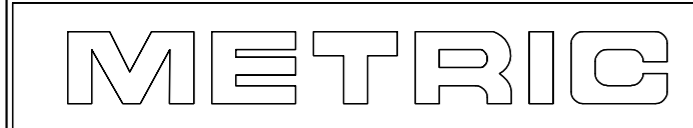
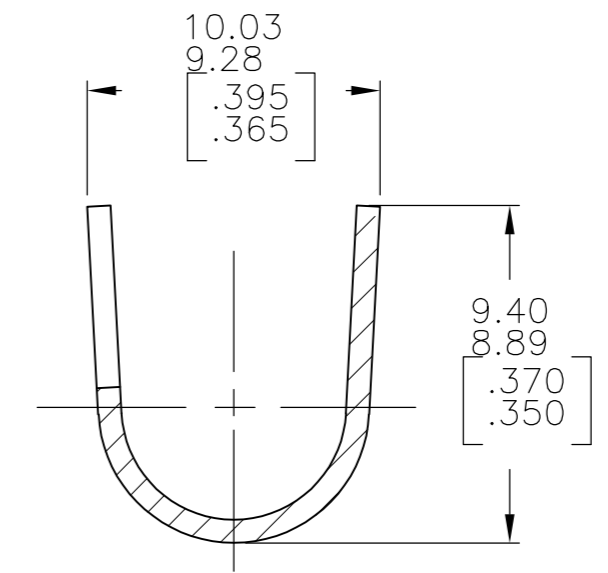
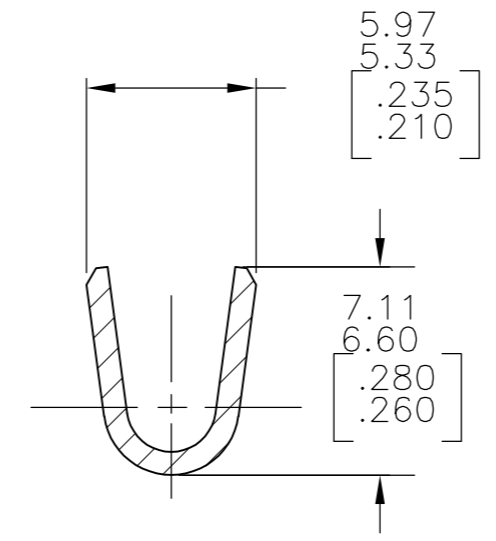


THIS DRAWING IS UNPUBLISHED. RELEASED FOR PUBLICATION
 © COPYRIGHT BY TYCO ELECTRONICS CORPORATION. ALL RIGHTS RESERVED.

LOC	DIST	REVISIONS					
AF	50	P	LTR	DESCRIPTION	DATE	DWN	APVD
		A		REVISED PER ECR-08-007741	08JUL08	HMR	GJ



- 1 CONTINUOUS STRIP ON REELS
- 2 VERTICAL BURRS NOT TO EXCEED 0.13 [.005] ALONG THIS EDGE
- 3 PRE-PLATED TIN.



F OR O	8.89 [350]	6.35 [250]	F	4.57 [180]	3.45 [.136]	2 3.0mm ² [12]
					3.23 [127]	5.0mm ² [10]
					2.87 [113]	3.0mm ² [12]
					2.64 [104]	2.0mm ² [14]
					2.52 [099]	1.3mm ² [16]
TYPE	WIDTH	STRIP LENGTH ±0.38 [±.015]	TYPE	WIDTH	HEIGHT ±0.051 [0.02]	WIRE
INSUL BARREL CRIMP			WIRE BARREL CRIMP			

3	7.87 OR 2 (4.32) DIA 5.59 [.310] OR 2 [.170] DIA .220	1.3-5.5mm ² OR 2 (3.0mm ²) [16-10] OR 2 [12] AWG	63496-2 63496-1
FINISH	INSULATION RANGE	WIRE RANGE	PART NO.
THIS DRAWING IS A CONTROLLED DOCUMENT.			
DIMENSIONS: mm [INCHES]	TOLERANCES UNLESS OTHERWISE SPECIFIED:	DWN PHILLIP M. FORTNEY 4/5/94 CHK JEFF RUTH 4/5/94 APVD GARY YETTER 4/5/94	
	0 PLC ± -	Tyco Electronics Corporation Harrisburg, Pa 17105-3608	
	1 PLC ± -	NAME	
2 PLC ± 0.25 [.010]	PRODUCT SPEC 108-1191		POWER RING
3 PLC ± -	APPLICATION SPEC 114-2087		SIZE CAGE CODE DRAWING NO RESTRICTED TO
4 PLC ± -	MATERIAL 082 BRASS		A2 00779 C=63496
ANGLES ± -	FINISH SEE TABLE		SCALE 4:1 SHEET 1 OF 1 REV A
	CUSTOMER DRAWING		

单击下面可查看定价，库存，交付和生命周期等信息

[>>TE Connectivity\(泰科\)](#)