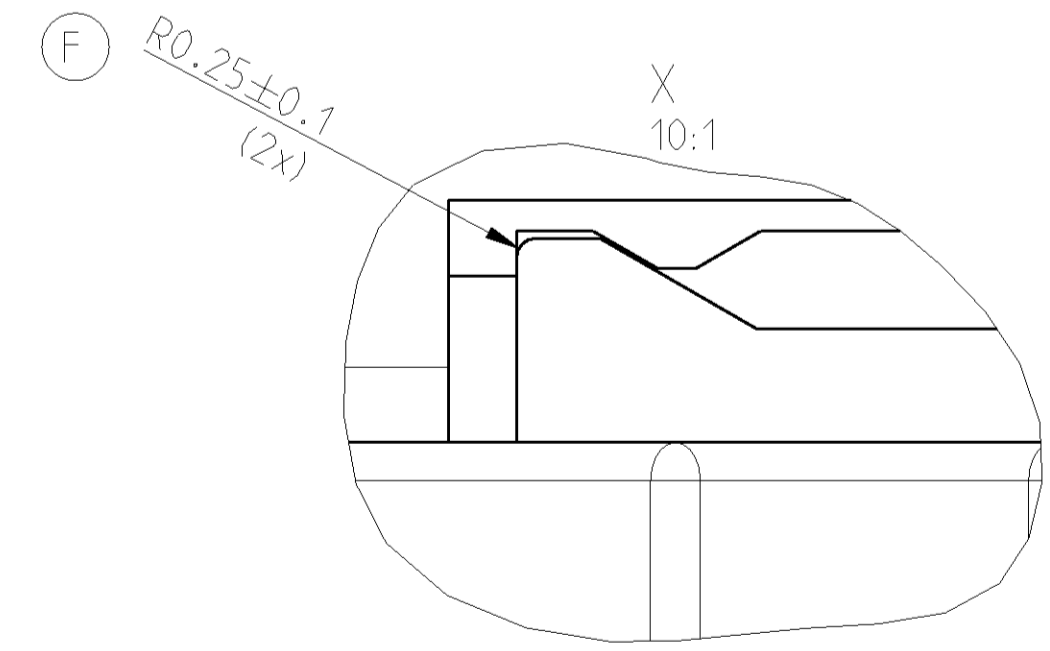
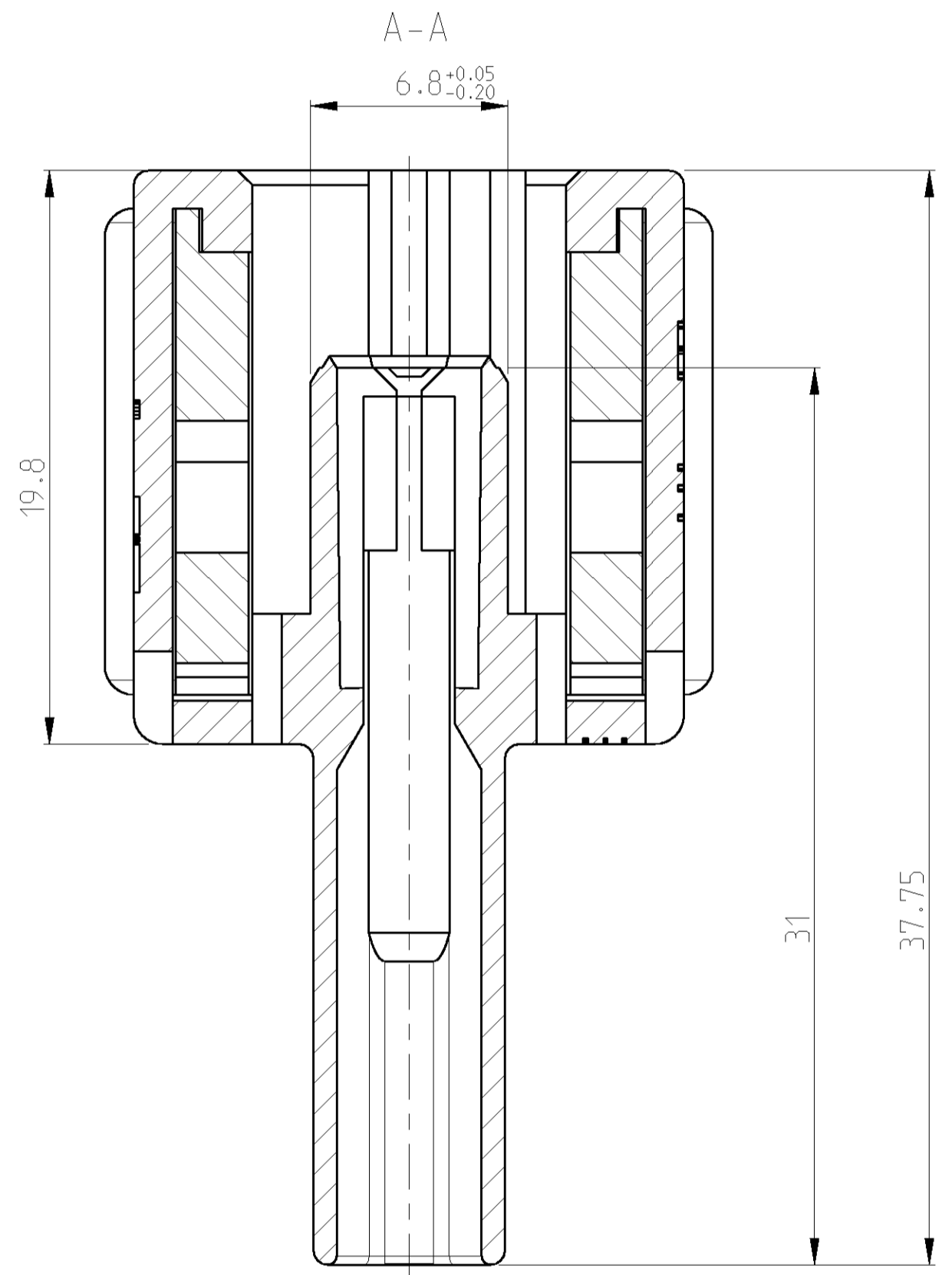
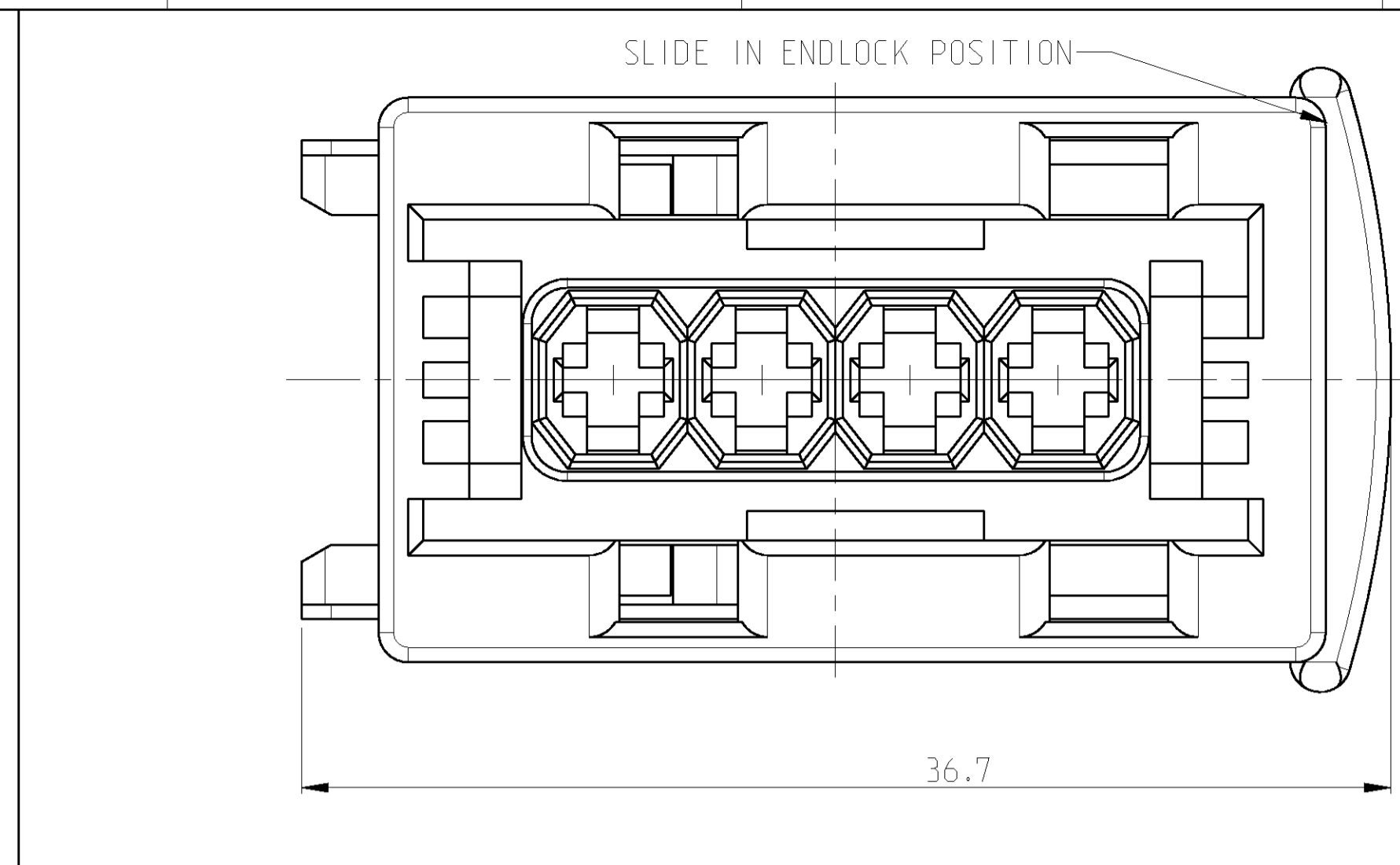
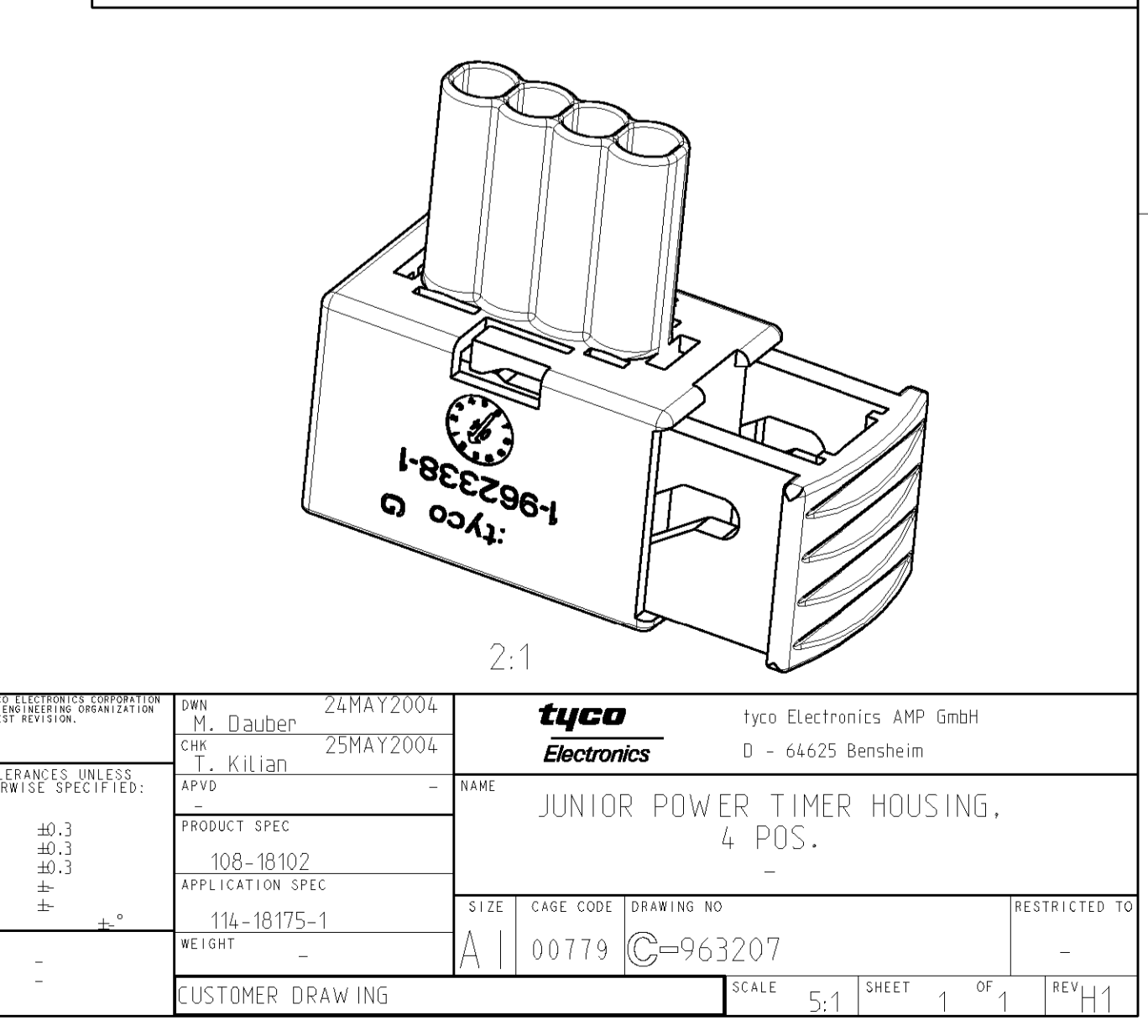
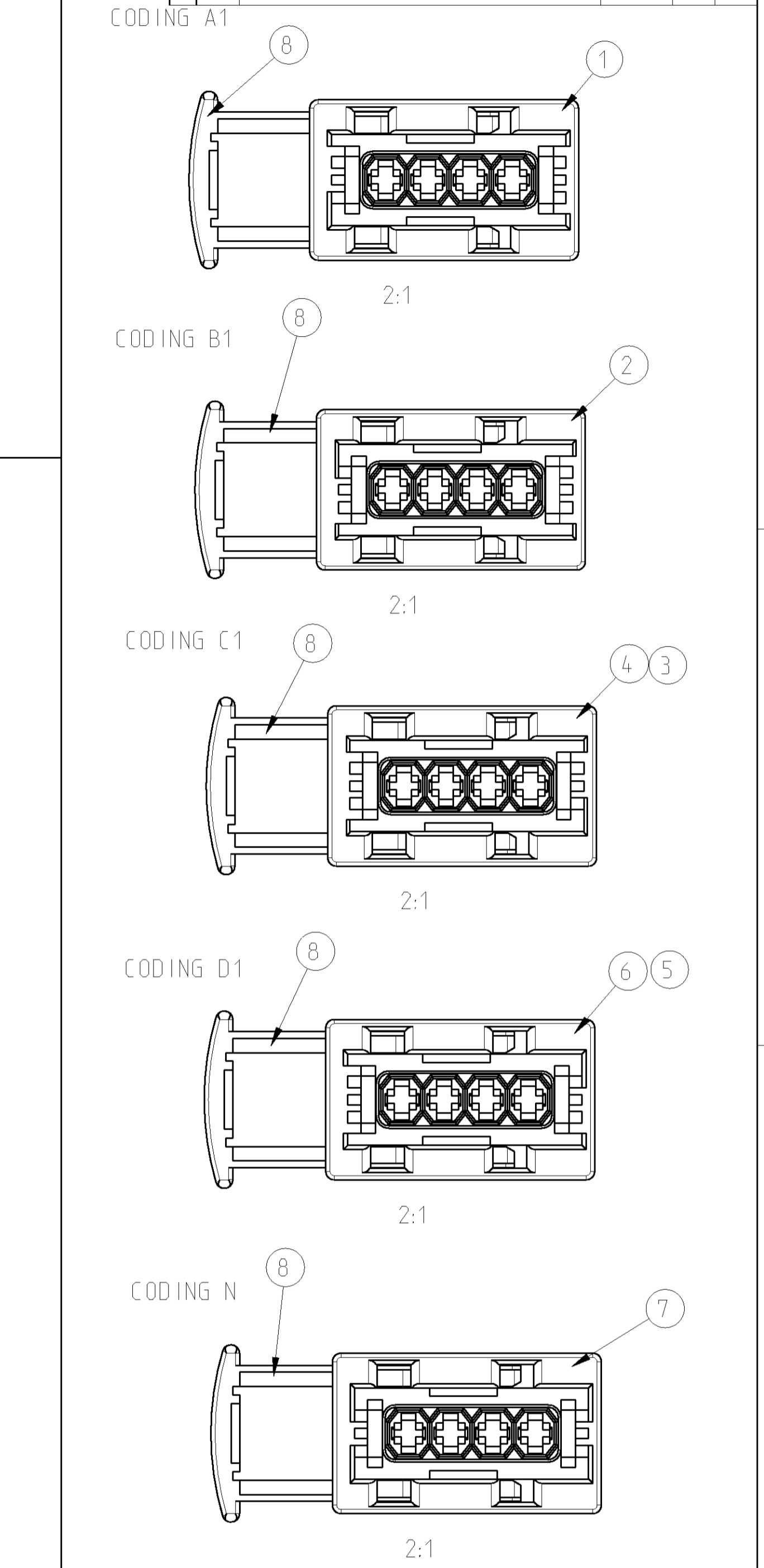


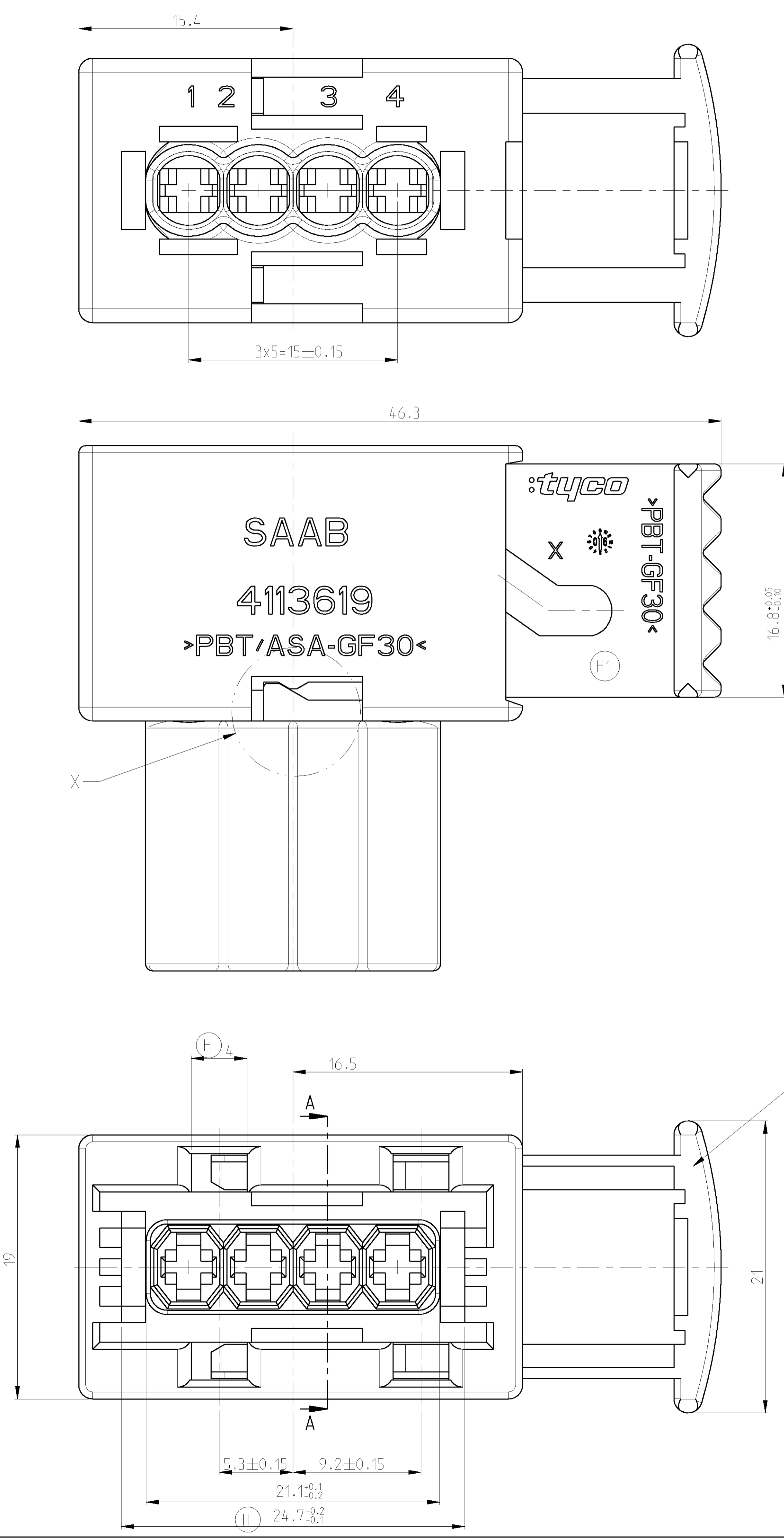
| LOC | DIST | REV | DATE | BY | APPV |
|-----|------|-----|-----------|------|------|
| A1 | - | H | 25MAY2004 | M.D. | T.K. |
| | | H1 | 23AUG06 | C.A. | T.K. |



DELIVERY POSITION (G)
 CAUSED BY TRANSPORT
 THE POSITION OF THE SLIDE
 COULD CHANGE TO INTERMEDIATE
 OR CLOSED POSITION

| CUSTOMER PART NO. | AMP PART NO. | REV. | PCS | MATERIAL | COLOR | DESCRIPTION | ITEM NO. |
|-------------------|--------------|------|-----|--------------|-------|-----------------|----------|
| 4113601 | 5-963207-1 | H | 1 | PBT-GF30 | RED | SLIDE | 8 |
| | | | | PBT+ASA-GF30 | WHITE | JPT HSG., 4POS. | 7 |
| 4113643 | 4-963207-2 | H | 1 | PBT-GF30 | RED | SLIDE | 8 |
| | | | | PBT+ASA-GF30 | GREEN | JPT HSG., 4POS. | 6 |
| 4113643 | 4-963207-1 | H | 1 | PBT-GF30 | RED | SLIDE | 8 |
| | | | | PBT+ASA-GF30 | BROWN | JPT HSG., 4POS. | 5 |
| 4113635 | 3-963207-2 | H | 1 | PBT-GF30 | RED | SLIDE | 8 |
| | | | | PBT+ASA-GF30 | GREEN | JPT HSG., 4POS. | 4 |
| 4113635 | 3-963207-1 | H | 1 | PBT-GF30 | RED | SLIDE | 8 |
| | | | | PBT+ASA-GF30 | BLUE | JPT HSG., 4POS. | 3 |
| 4113627 | 2-963207-1 | H | 1 | PBT-GF30 | RED | SLIDE | 8 |
| | | | | PBT+ASA-GF30 | GREY | JPT HSG., 4POS. | 2 |
| 4113619 | 1-963207-1 | H | 1 | PBT-GF30 | RED | SLIDE | 8 |
| | | | | PBT+ASA-GF30 | BLACK | JPT HSG., 4POS. | 1 |

| DIMENSIONS: | | TOLERANCES UNLESS OTHERWISE SPECIFIED: | |
|-------------|--|----------------------------------------|------|
| mm | | 0 PLC | ±0.3 |
| | | 1 PLC | ±0.3 |
| | | 2 PLC | ±0.3 |
| | | 3 PLC | ±0.3 |
| | | 4 PLC | ±0.3 |
| | | ANGLES | ±0.5 |
| | | | ±0.5 |



单击下面可查看定价，库存，交付和生命周期等信息

[>>TE Connectivity\(泰科\)](#)