

THIS DRAWING IS UNPUBLISHED.

RELEASED FOR PUBLICATION

ALL RIGHTS RESERVED.

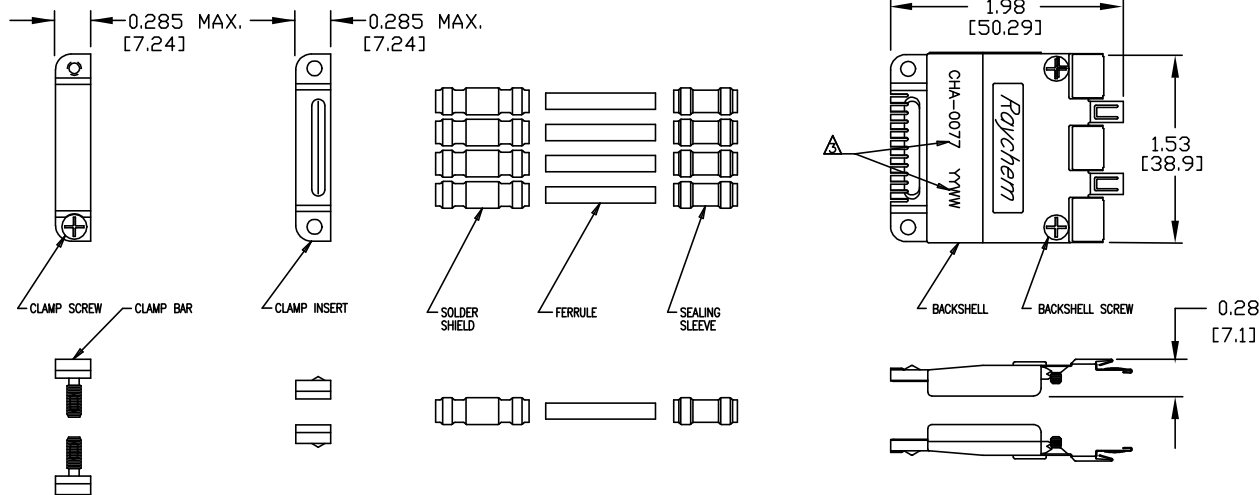
© COPYRIGHT - TE Connectivity Ltd.

REVISIONS

P	LTR	DESCRIPTION	DATE	DWN	APVD
	C1	REV PER ECO 19-005939	5-29-19	CT	MS

NOTES:

1. MATERIAL:
 - a. BACKSHELL COPPER ALLOY 172 PER QQ-A-533
 - b. BACKSHELL SCREW STAINLESS STEEL PER QQ-S-763, 300 SERIES
 - c. CLAMP BAR ALUMINUM ALLOY
 - d. CLAMP INSERT ALUMINUM ALLOY
 - e. CLAMP SCREW STAINLESS STEEL PER QQ-S-763, 300 SERIES
 - f. FERRULE COPPER ALLOY 187 ASTM B301/B301M
 - g. SOLDER SHIELD SEE RAYCHEM DRAWING NUMBER CTA-1035
 - h. SEALING SLEEVE SEE RAYCHEM DRAWING NUMBER CTA-1036
2. FINISH:
 - a. BACKSHELL CADMIUM PLATE PER QQ-P-416
 - b. BACKSHELL SCREW CADMIUM PLATE PER QQ-P-416
 - c. CLAMP BAR CADMIUM PLATE PER QQ-P-416
 - d. CLAMP INSERT CADMIUM PLATE PER QQ-P-416
 - e. CLAMP SCREW CADMIUM PLATE PER QQ-P-416
 - f. FERRULE TIN PLATED PER ASTM B545
3. "RAYCHEM", PART NUMBER CHA-0077 AND DATE CODE STAMPED APPROXIMATELY AS SHOWN.
4. PARTS ARE TO BE PACKAGED UN-ASSEMBLED AS SHOWN.
5. THIS ASSEMBLY DESIGN TO USED WITH CHA-0258.
6. WEIGHT: 0.050 lbs MAX [22.5 Gram MAX]



THIS DRAWING IS A CONTROLLED DOCUMENT.		DWN C.C.THOMAS 29MAY2019	TE Connectivity	
		CHK M.A.SOLIS 5-29-19		
DIMENSIONS: INCHES		APVD M.A.SOLIS 5-29-19	NAME BACKSHELL ASSY, PLUG, 1 INCH, CAD PLATED, DATA-BUS, MTCR SERIES	
		PRODUCT SPEC -	APPLICATION SPEC -	
TOLERANCES UNLESS OTHERWISE SPECIFIED:		WEIGHT 0	SIZE A3	RESTRICTED TO -
MATERIAL -		FINISH -	CAGE CODE 06090	DRAWING NO G=CHA-0077
		CUSTOMER DRAWING	SCALE NTS	SHEET 1 of 1
			REV C1	

单击下面可查看定价，库存，交付和生命周期等信息

[>>TE Connectivity\(泰科\)](#)