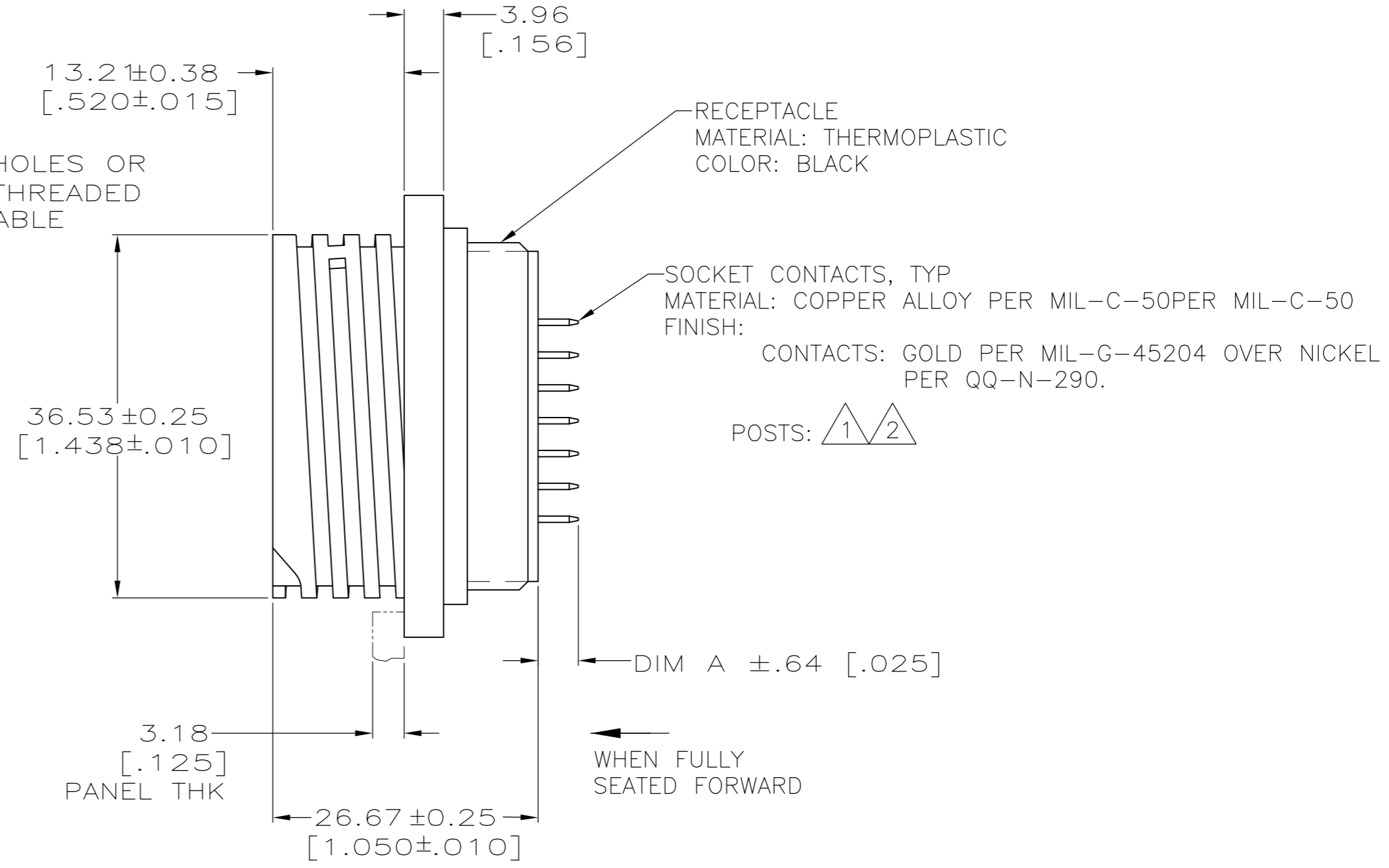
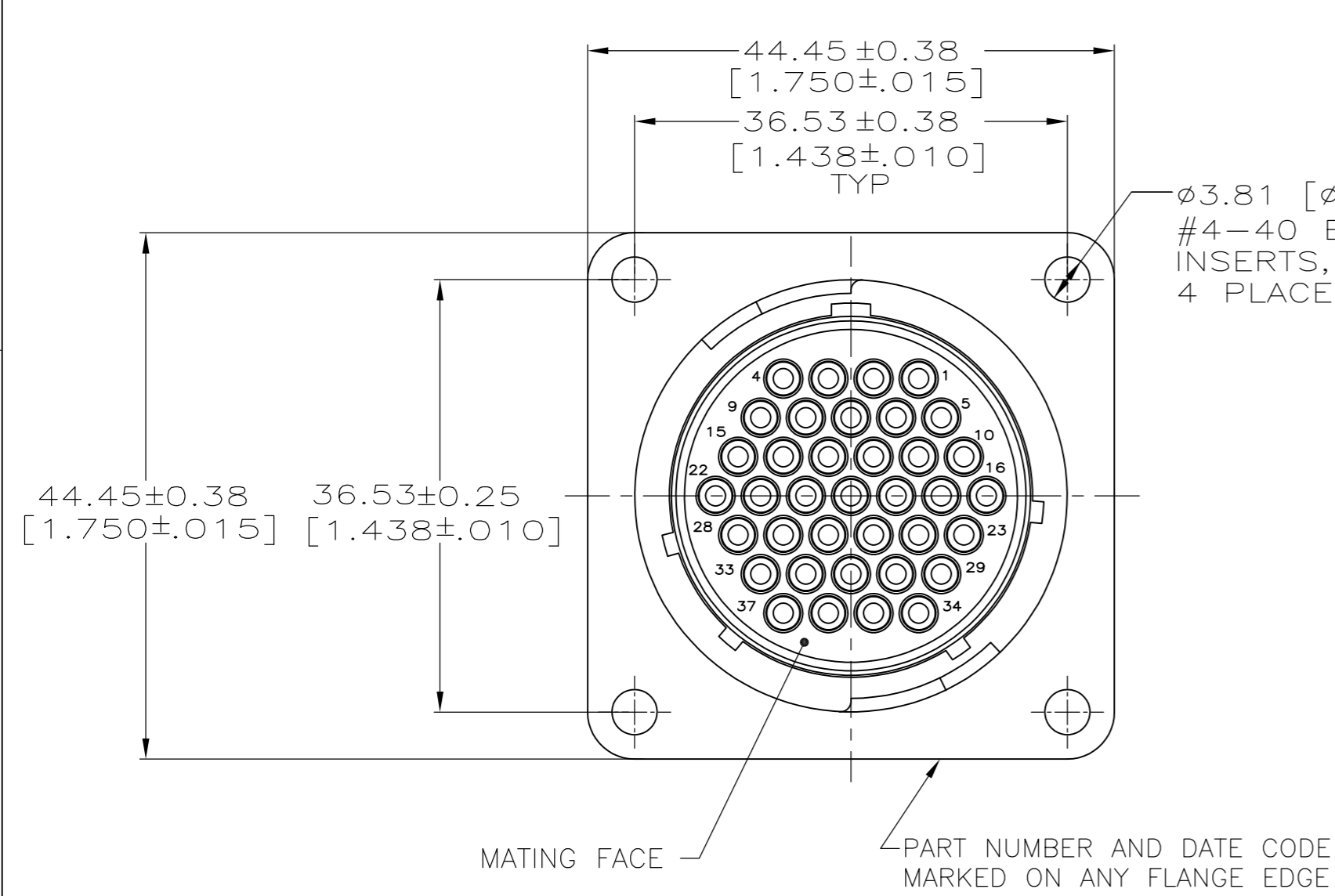
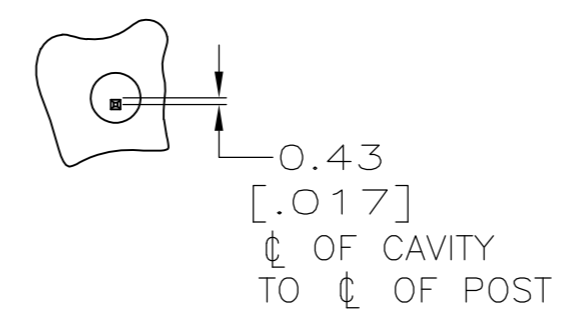


THIS DRAWING IS UNPUBLISHED. RELEASED FOR PUBLICATION
 © COPYRIGHT - By - ALL RIGHTS RESERVED.

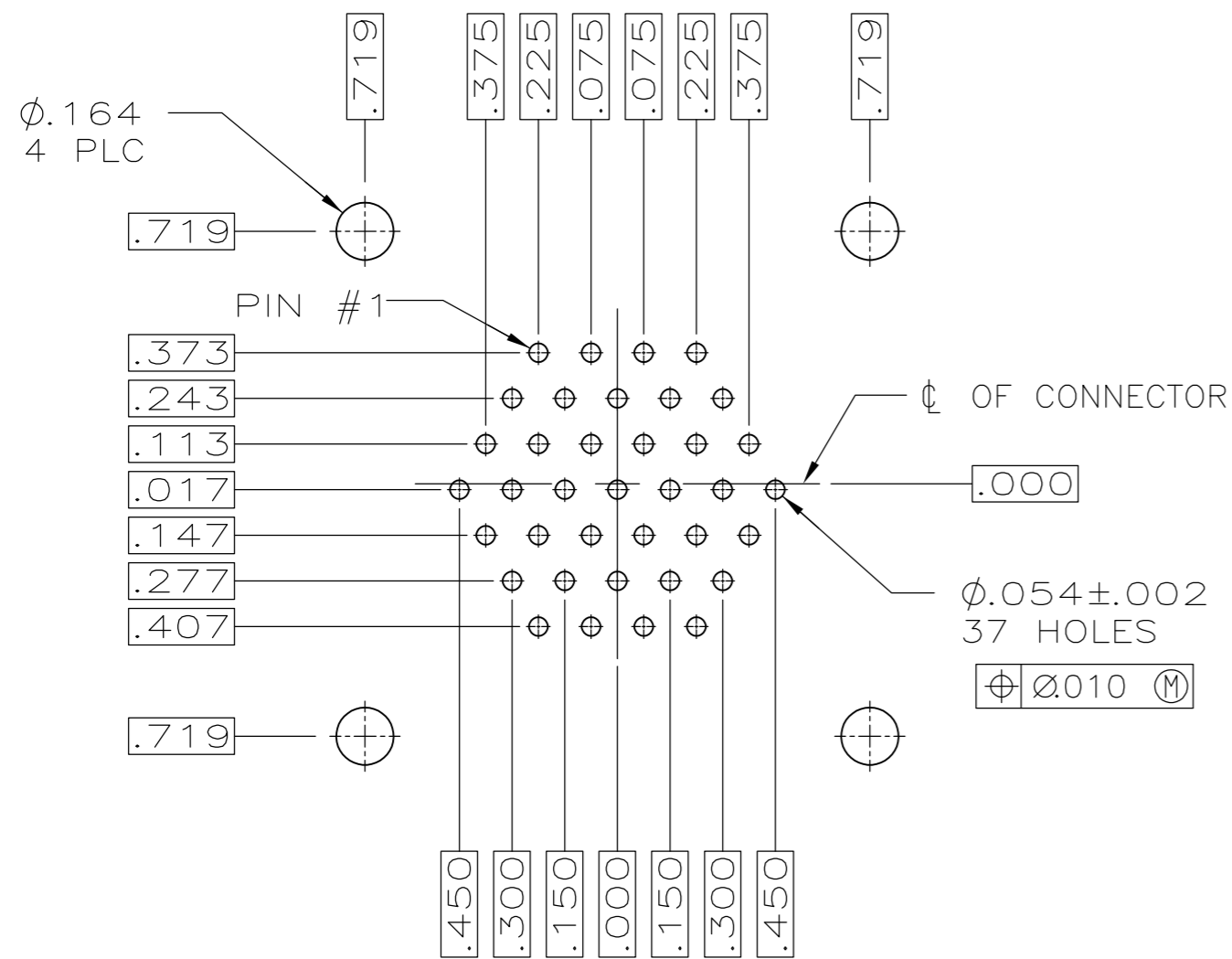
REVISIONS					
P	LTR	DESCRIPTION	DATE	DWN	APVD
F1		REVISED PER ECO-13-017833	12FEB2014	NK	MZ
G		REVISED PER ECO-17-004657	05APR2017	RS	MZ



- 1 .000100 MIN. MATTE TIN-LEAD OVER .000050 MIN NICKEL.
- 2 .000100 MIN. MATTE TIN OVER .000050 MIN NICKEL.



POST ARRANGEMENT ON REAR FACE



RECOMMENDED P.C. BOARD LAYOUT

OBSOLETE	6.53 [.257]	YES	NO	2	207890-5
	4.04 [.159]	NO	YES	2	207890-3
	4.04 [.159]	NO	NO	2	207890-2
	4.04 [.159]	NO	NO	1	207890-1
DIM A	4-40 THREADED INSERTS	PERIPHERAL SEAL	FINISH	PART NUMBER	

THIS DRAWING IS A CONTROLLED DOCUMENT.

DIMENSIONS: mm [INCHES]	TOLERANCES UNLESS OTHERWISE SPECIFIED:	DWN C.J. REIFSNYDER 05/15/95	TE Connectivity	
0 PLC ± -	1 PLC ± -	CHK R.STONE 05/24/95	RECEPTACLE ASSEMBLY, POSTED, REVERSE SEX, SERIES 1, 23-37, CPC	
2 PLC ± 0.13[.005]	3 PLC ± -	APVD AL FRANTUM 05/25/95	SIZE A2	CAGE CODE 00779
4 PLC ± -	ANGLES ± -	PRODUCT SPEC	DRAWING NO C=207890	RESTRICTED TO -
MATERIAL SEE CALLOUT	FINISH SEE CALLOUT	APPLICATION SPEC	SCALE 2:1	SHEET 1 of 1
		WEIGHT -	CUSTOMER DRAWING	REV G

单击下面可查看定价，库存，交付和生命周期等信息

[>>TE Connectivity\(泰科\)](#)