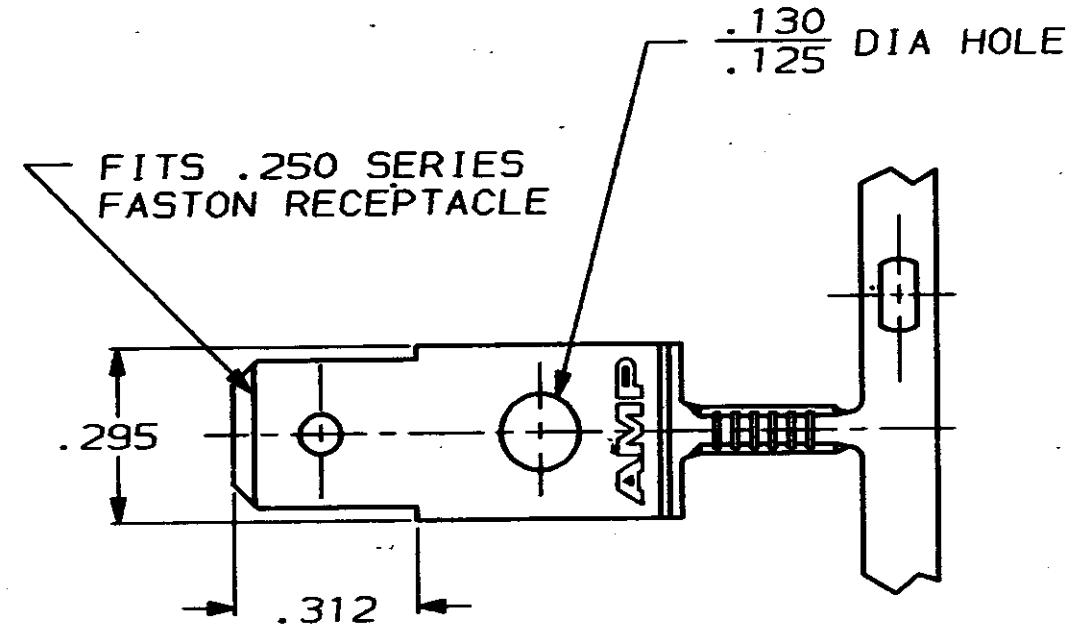
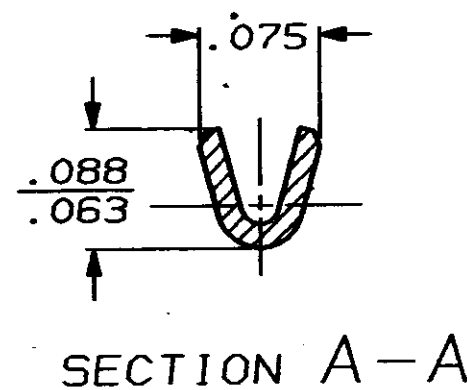
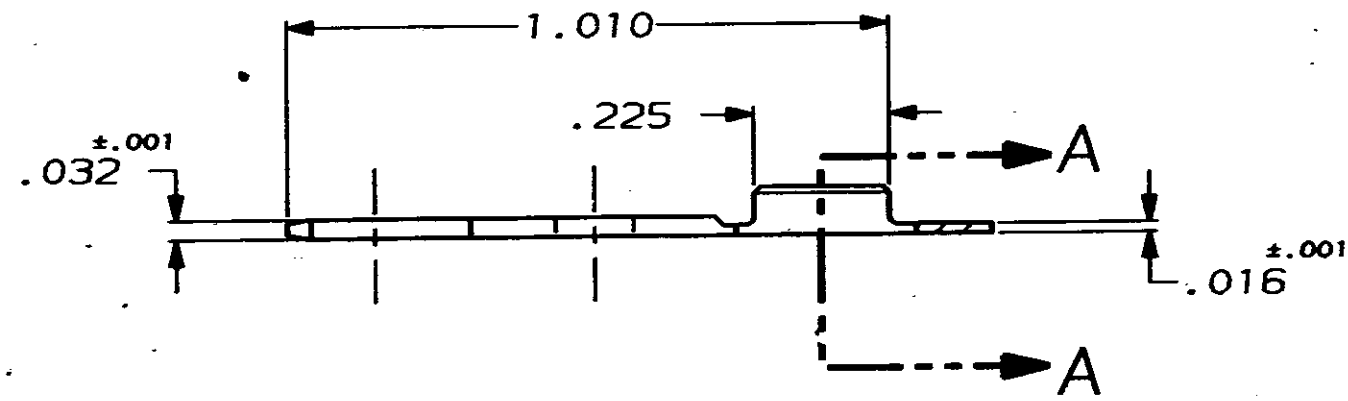


THIS DRAWING IS UNPUBLISHED. RELEASED FOR PUBLICATION ,19
 © COPYRIGHT 19 BY AMP INCORPORATED. ALL INTERNATIONAL RIGHTS RESERVED.

LOC	DIST	P	F	ZONE	LTR	DESCRIPTION	DATE	APPD
AF	50				B	RE-ACT & REL AF-5501	9/7/88	<i>[Signature]</i>



1 CONTINUOUS STRIP ON REELS.



DO NOT SCALE PRINT. UNLESS SPECIFIED DIMENSIONS IN INCHES TOLERANCES ON: 2 PLC DEC ± - 3 PLC DEC ± .010 ANGLES ± -		DR JR RUTH 12/15/87	200-566 CMA	63483-1
MATERIAL #2H BRASS PREMILLED		CHK M FEHER 12/16/87	WIRE SIZE	PART NO
FINISH TIN VARNISH RESIST		APPO C MEYERS 12/21/87	AMP INCORPORATED Harrisburg, Pa. 17105	
WEIGHT -		APPO R KUZO 12/21/87		
APPLICATION SPEC -		PRODUCT SPEC -	NAME TAB, FASTON, AMPLIVAR, .250 SERIES	
SCALE NTS		SIZE B	FSCN NO 00779	DRAWING NO 63483
			SHEET 1 OF 1	

单击下面可查看定价，库存，交付和生命周期等信息

[>>TE Connectivity\(泰科\)](#)