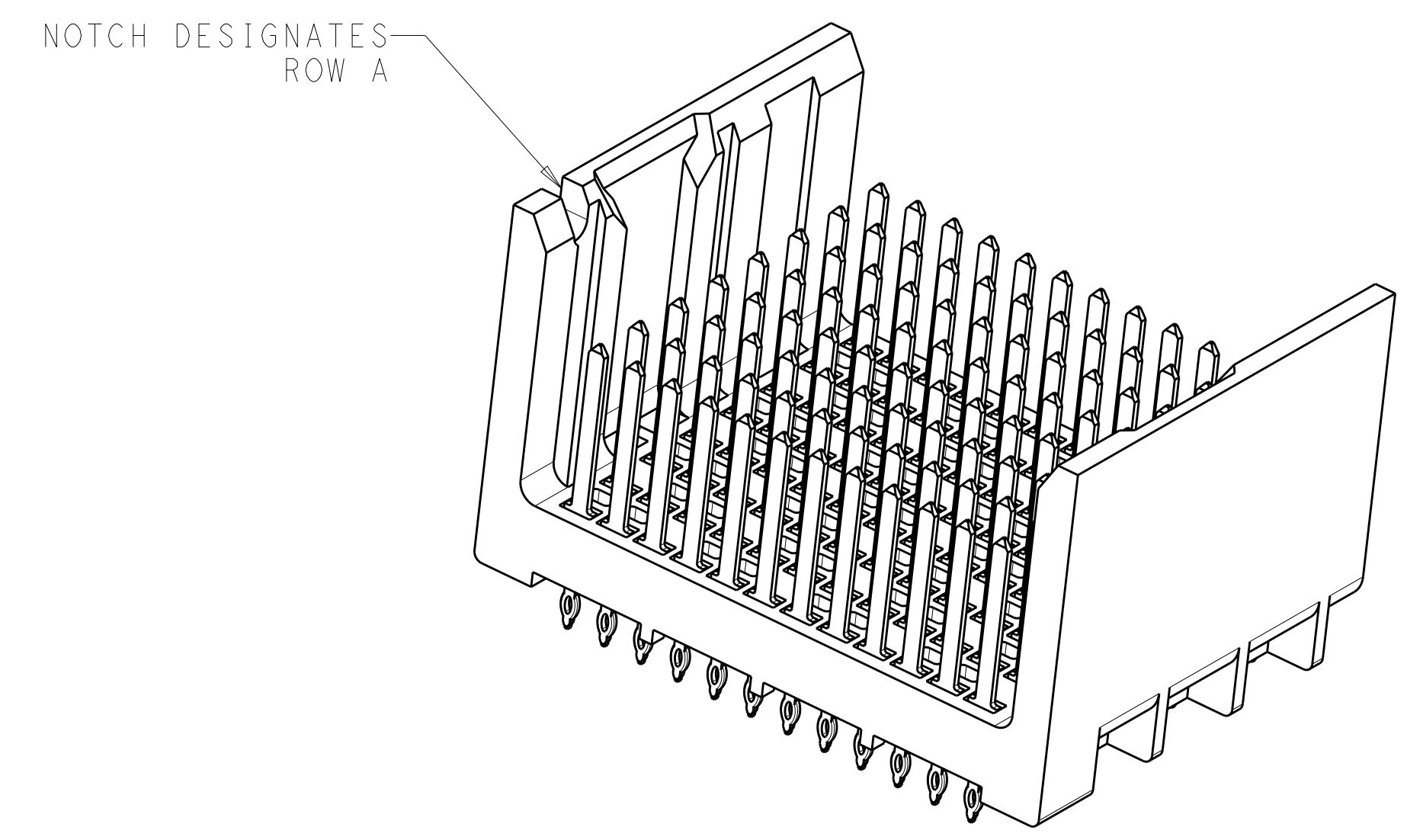
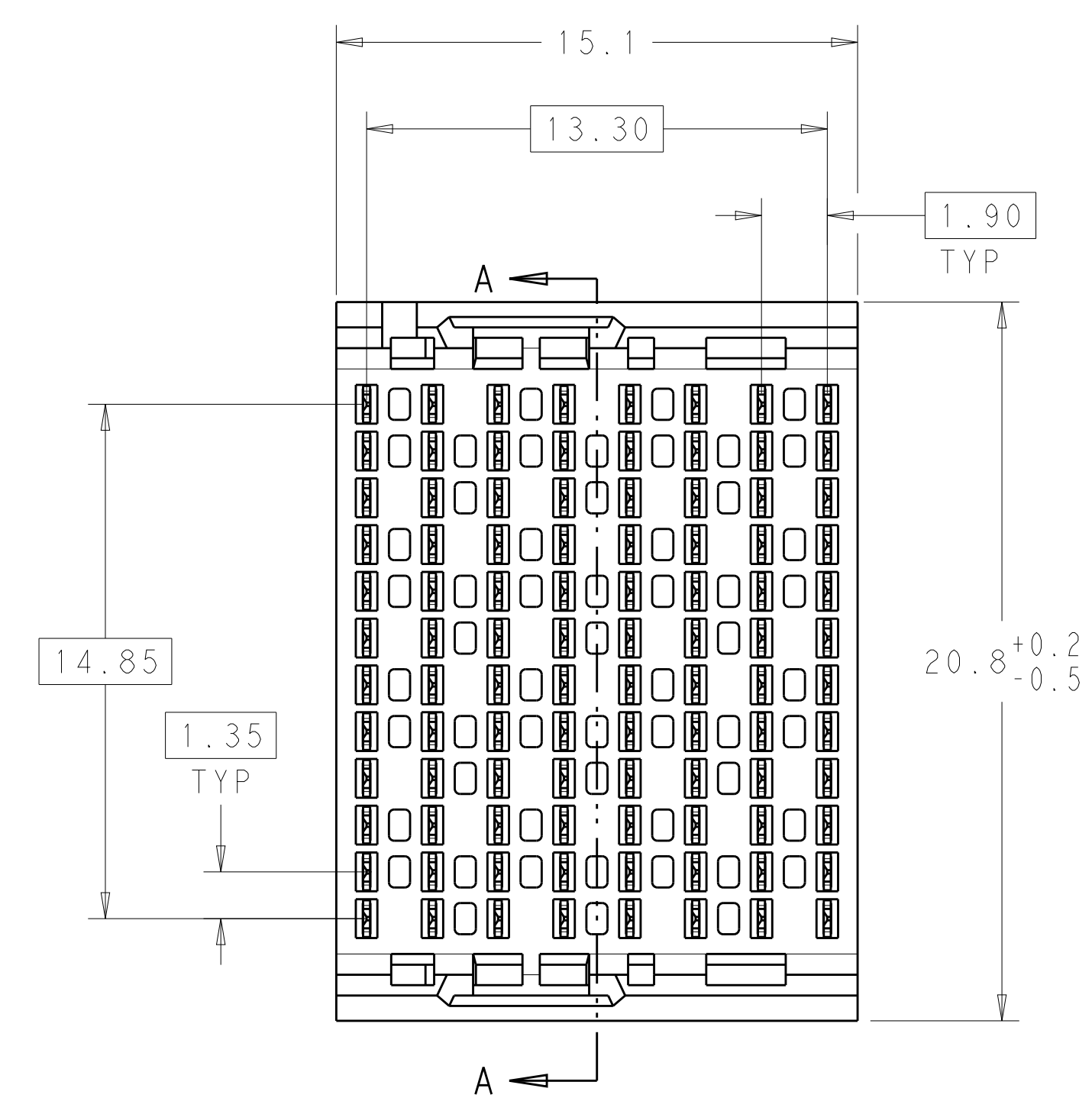
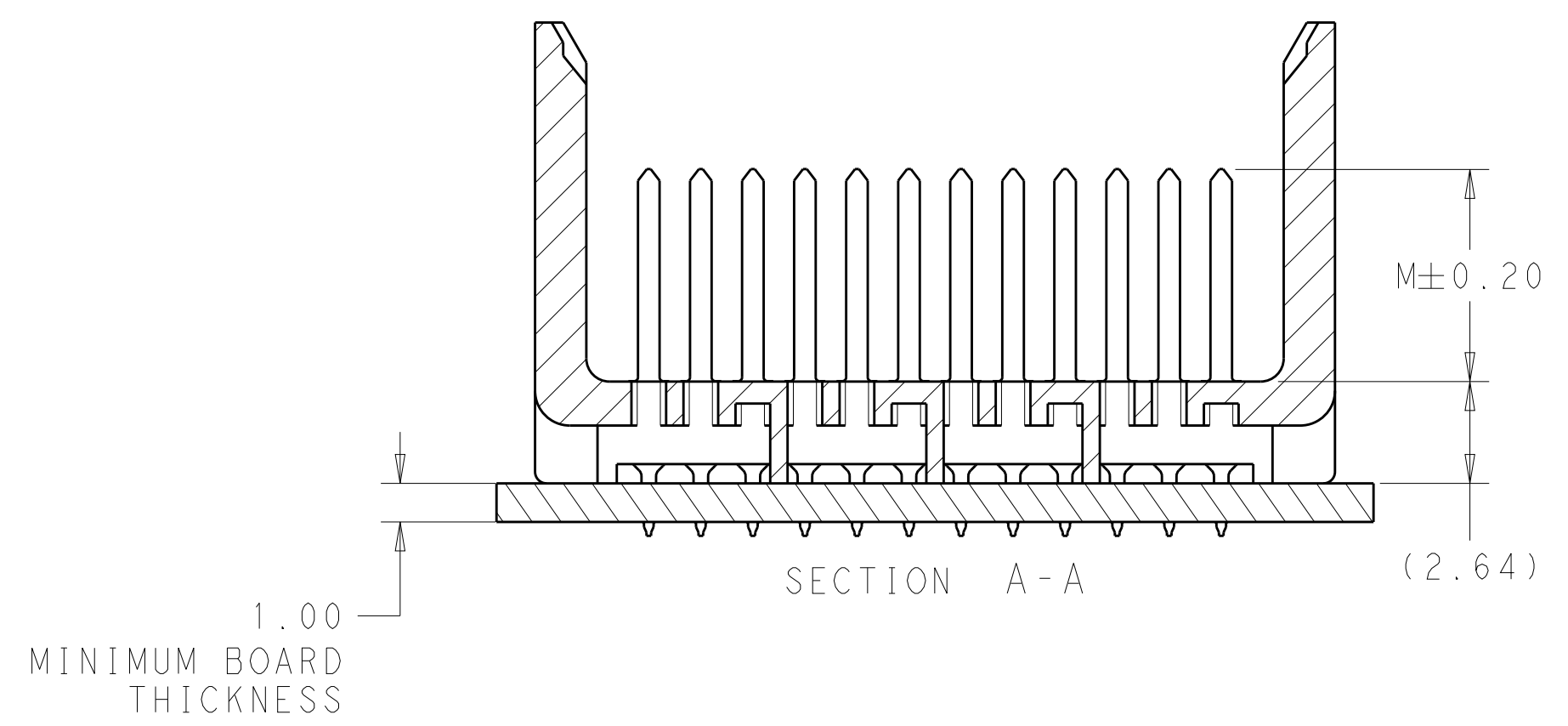
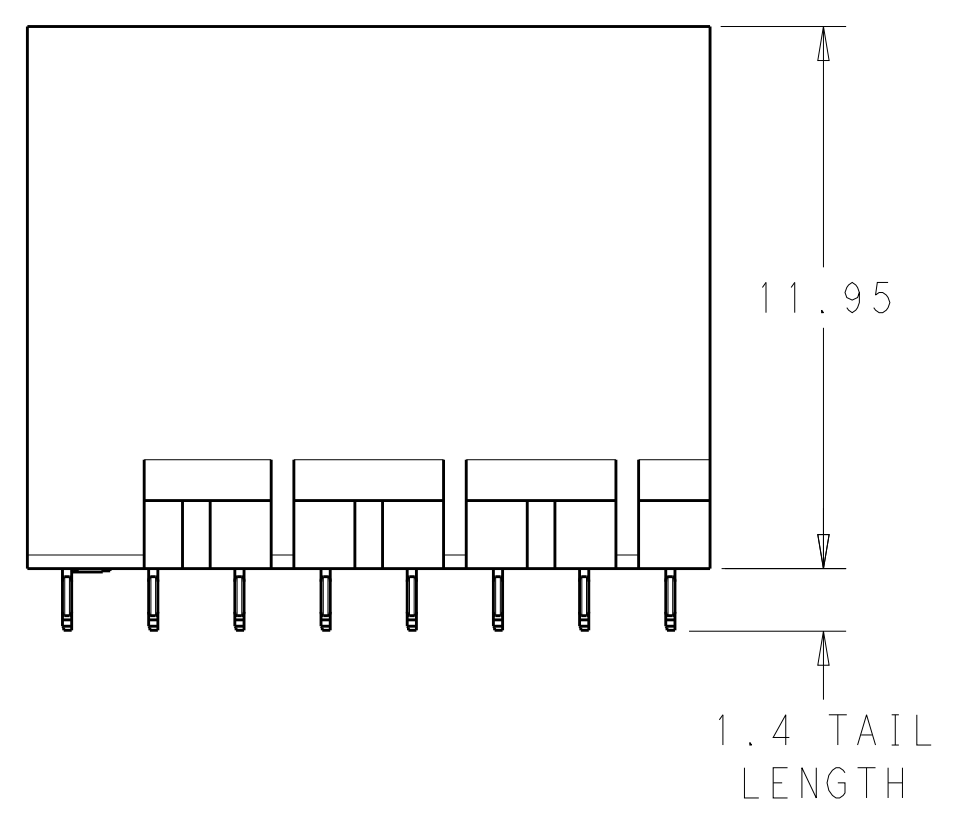
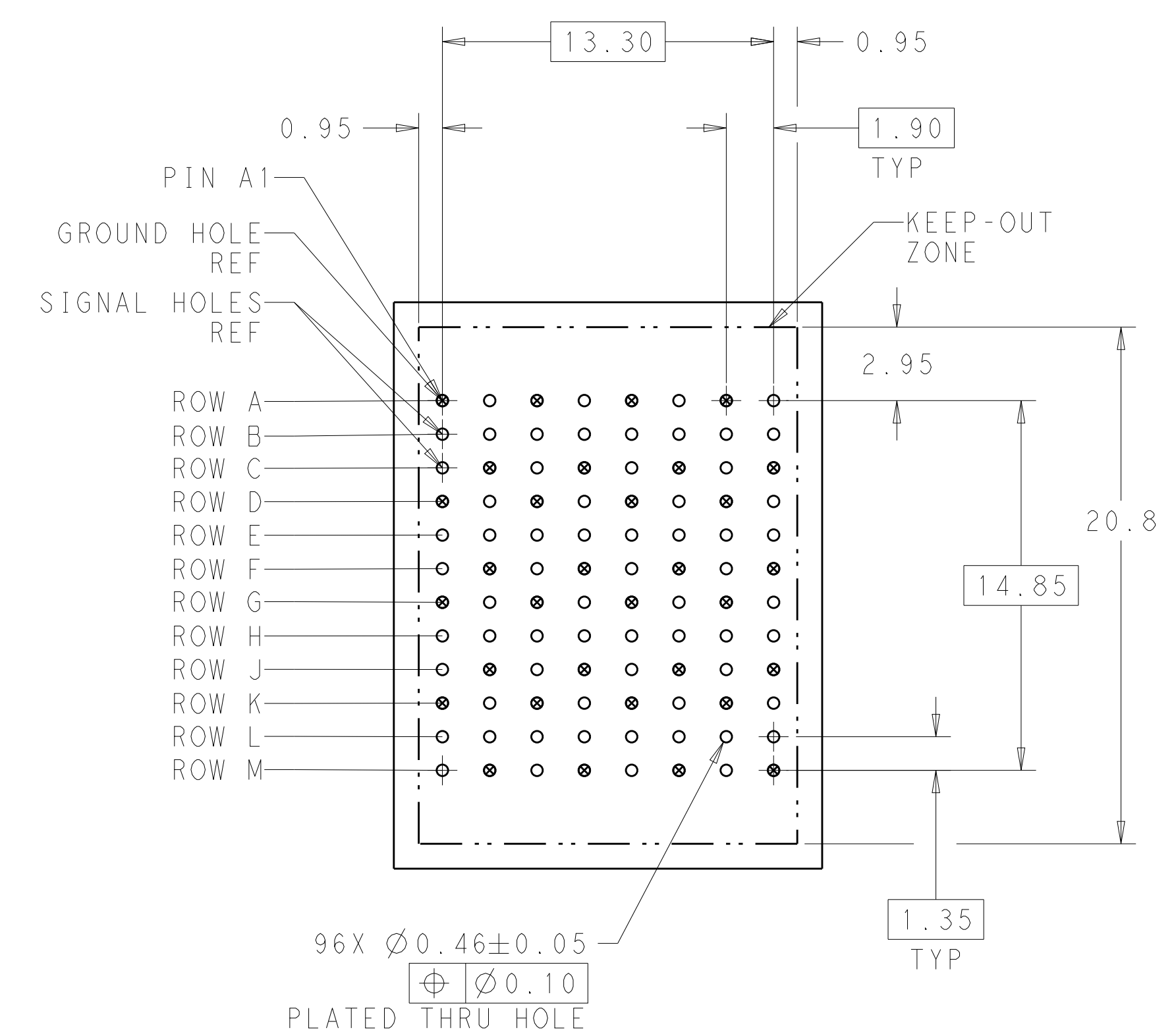


REVISIONS				
P.	LTN.	DESCRIPTION	DATE	OWN APVD
A1		REVISED PER ECO-15-001494	05FEB2015	AP DD



1 MATERIAL:  
 HOUSING: LCP, GLASS FILLED, UL94V-0.  
 TERMINALS: HIGH PERFORMANCE COPPER ALLOY.

2 FINISH:  
 30μ" MIN GOLD IN CONTACT AREA. SELECTIVE TIN  
 ON PCB TAILS, NICKEL OVERALL.



UNGUIDED  
 BACKPLANE HOLE PATTERN  
 (CONNECTOR SIDE)

THIS DRAWING IS A CONTROLLED DOCUMENT.		OWN: R. GRZYBOWSKI 14JUN2011	TE Connectivity
DIMENSIONS: mm		CHK: J. EARY 14JUN2011	
TOLERANCES UNLESS OTHERWISE SPECIFIED:		APVD: J. EARY 14JUN2011	NAME: IMPACT, 4 PAIR, 8 COLUMN, HEADER UNGUIDED, OPEN END WALL SIGNAL MODULE, 0.46 PTH
0 PLC ±0.25	1 PLC ±0.13	PRODUCT SPEC	SIZE: CAGE CODE DRAWING NO. RESTRICTED TO
2 PLC ±0.13	3 PLC ±0.13	APPLICATION SPEC	A100779C=2057442
4 PLC ±0.13	ANGLES ±0.13	WEIGHT	CUSTOMER DRAWING
FINISH: SEE TABLE		SCALE: 6:1	SHEET 1 OF 2 REV A1

THIS DRAWING IS UNPUBLISHED. RELEASED FOR PUBLICATION 20  
 © COPYRIGHT 20 BY - ALL RIGHTS RESERVED.

REVISIONS					
P.	LTN	DESCRIPTION	DATE	DMN	APVD
-		SEE SHEET 1	-	-	-

	5.5	2057442-3
	4.9	2057442-2
	4.5	2057442-1
FINISH	DIM M	PART NUMBER

REFER TO WWW.TE.COM  
FOR PRODUCT AVAILABILITY

THIS DRAWING IS A CONTROLLED DOCUMENT.		DMN R. GRZYBOWSKI 14JUN2011	
		CHK J. EARY 14JUN2011	
DIMENSIONS:		APVD J. EARY 14JUN2011	NAME
mm	TOLERANCES UNLESS OTHERWISE SPECIFIED:	PRODUCT SPEC	IMPACT, 4 PAIR, 8 COLUMN, HEADER UNGUIDED, OPEN END WALL SIGNAL MODULE, 0.46 PTH
	0 PLC ± 1 PLC ±0.25 2 PLC ±0.13 3 PLC ± 4 PLC ±	APPLICATION SPEC	
MATERIAL	FINISH	WEIGHT	RESTRICTED TO
-	SEE TABLE	-	SIZE CAGE CODE DRAWING NO
-	-	CUSTOMER DRAWING	A100779C=2057442
		SCALE	SHEET 2 OF 2
		REV	A1

单击下面可查看定价，库存，交付和生命周期等信息

[>>TE Connectivity\(泰科\)](#)