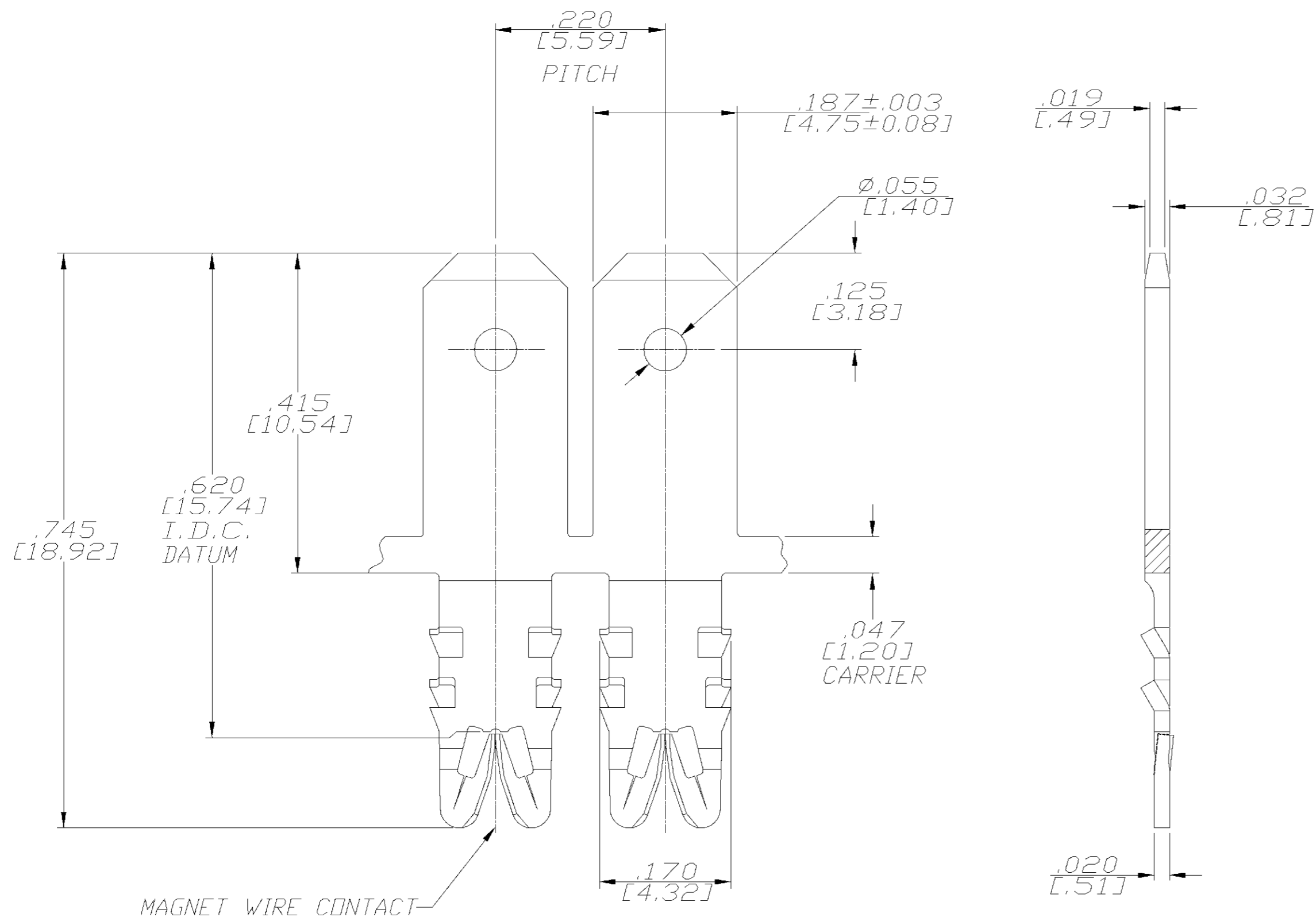
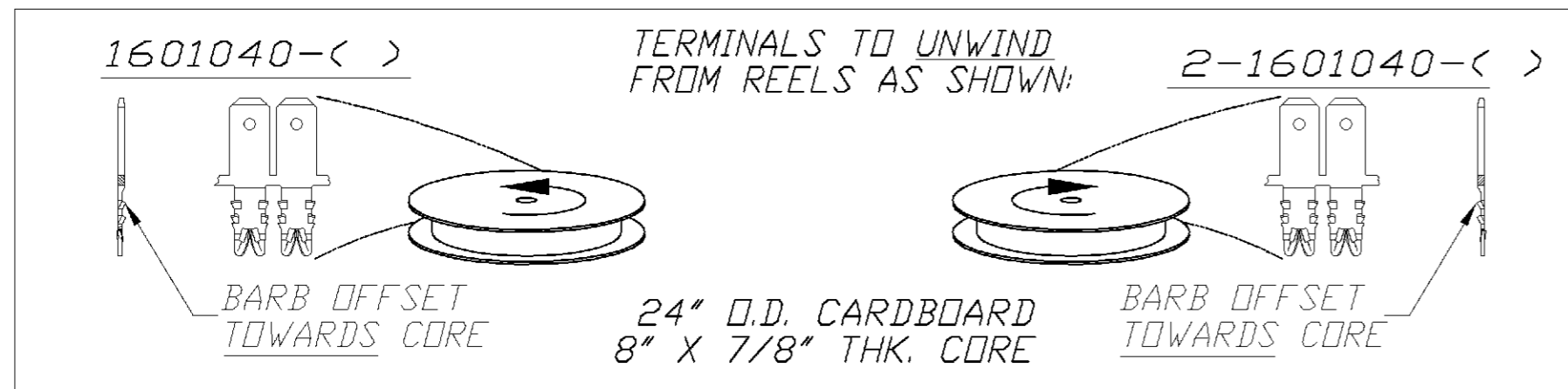
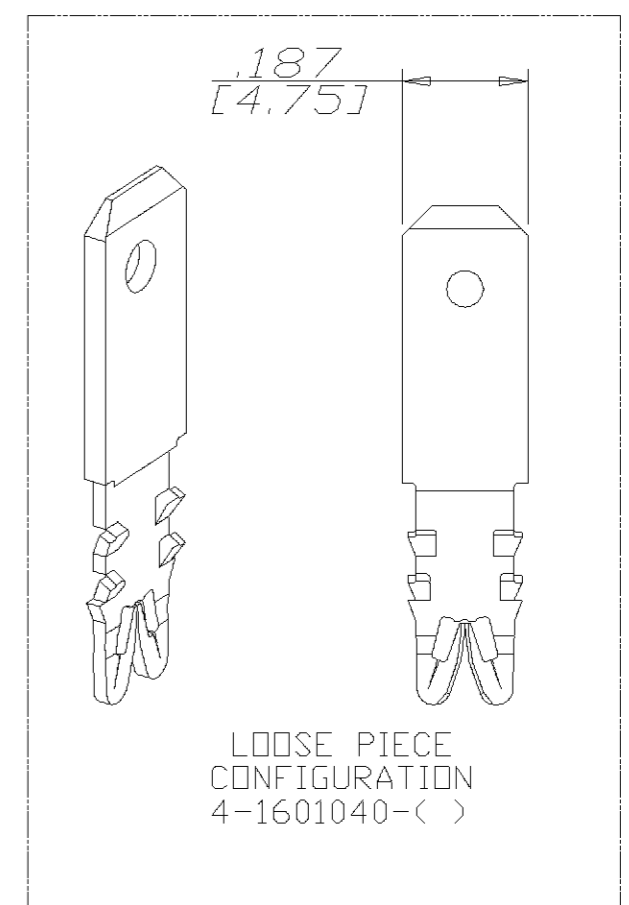


THIS DRAWING IS UNPUBLISHED. RELEASED FOR PUBLICATION
 © COPYRIGHT BY TYCO ELECTRONICS CORPORATION. ALL RIGHTS RESERVED.

LOC	DIST	REVISIONS					
AF	50	P	LTR	DESCRIPTION	DATE	DWN	APVD
		0		CHANGE TO TYCO FORMAT	-	-	-



- SPECIFICATIONS:**
MAGNET WIRE #18 - #34 AWG, .040" (1.02mm) - .006" (0.16mm) DIA. OTHER SIZES MAY BE ACCOMMODATED, CONSULT TYCO ELECTRONICS FOR APPROVAL.
- POCKET RECOMMENDATION:**
#1601425
- NOTES:**
TERMINALS SUPPLIED ON REELS, CAN BE SUPPLIED LOOSE PIECE,



-	-	-	-
-	-	-	-
-	-	-	-
-	-	-	-
-	-	-	-
131-183-000	UNPLATED	BRASS, 1/2 HARD	1601040-1
REFERENCE P/N	FINISH	MATERIAL	TYCO PART NUMBER

THIS DRAWING IS A CONTROLLED DOCUMENT.		DWN R FLAIG 24MAY2002	Tyco Electronics Corporation Lickdale, PA 17038	
DIMENSIONS: INCHES		CHK G JACONO 24MAY2002		
TOLERANCES UNLESS OTHERWISE SPECIFIED:		APVD G JACONO 24MAY2002	NAME STD. RANGE WIRE TO .187" X .032" MULTI-BARB TAB SIAMEZE TERMINAL	
0 PLC ± -	1 PLC ± -	PRODUCT SPEC 108-2085	SIZE A2	
2 PLC ± -	3 PLC ± .005[0.13]	APPLICATION SPEC	CAGE CODE 00779	DRAWING NO C=1601040
4 PLC ± -	ANGLES ± -	408-8629	RESTRICTED TO	
MATERIAL	FINISH	WEIGHT	SCALE 1:1	SHEET 1 OF 1
-	-	-	CUSTOMER DRAWING	REV 0

单击下面可查看定价，库存，交付和生命周期等信息

[>>TE Connectivity\(泰科\)](#)