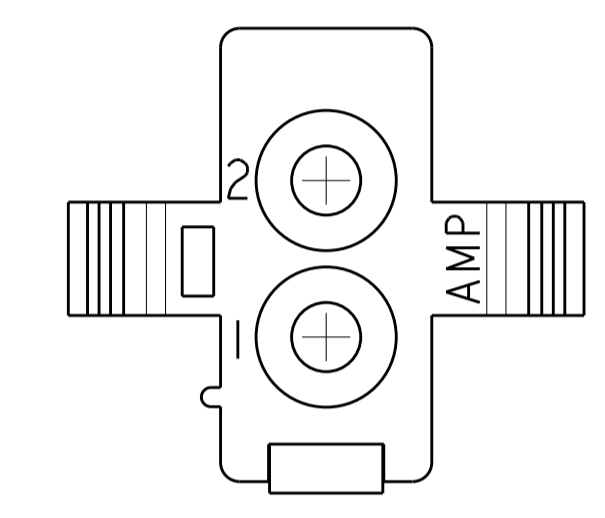
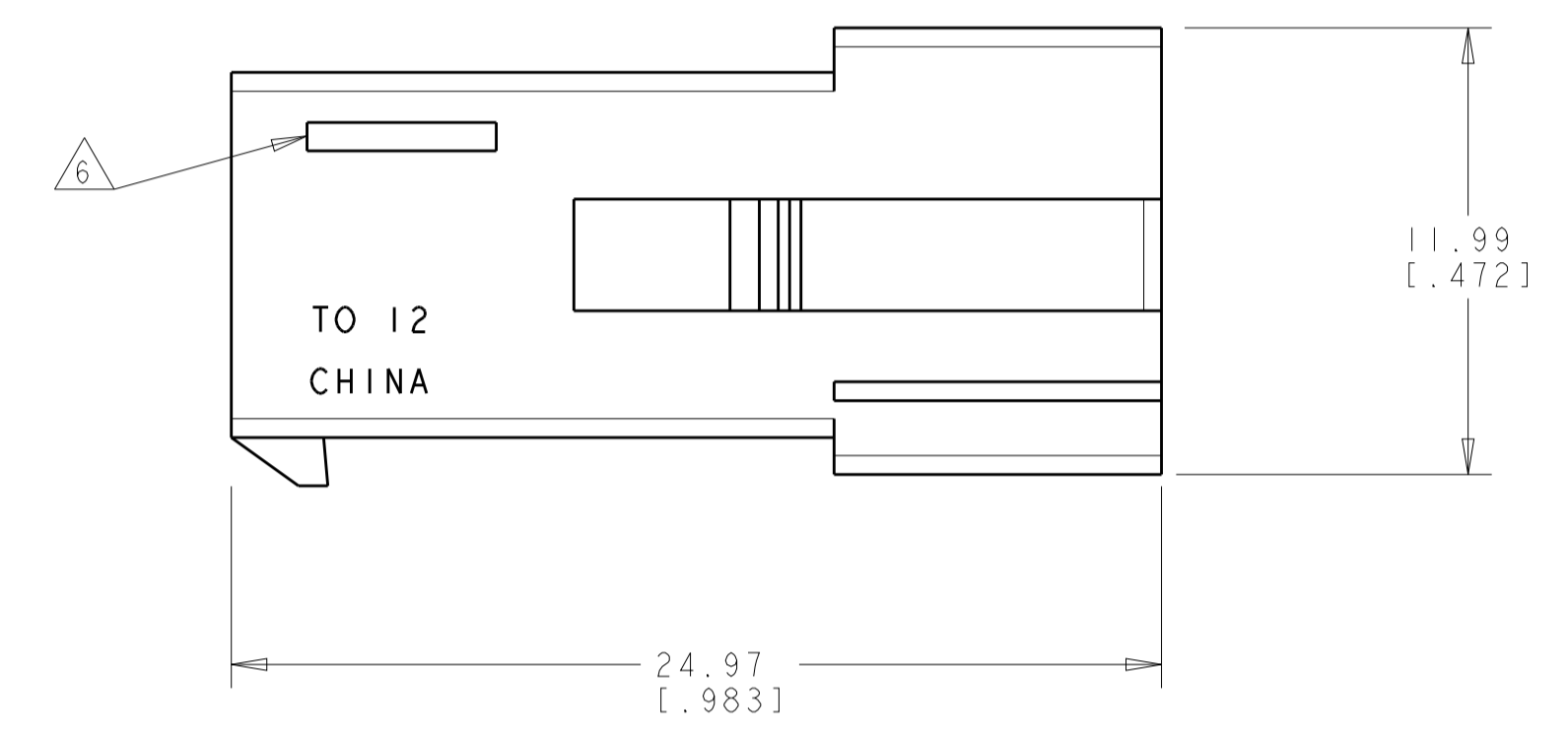
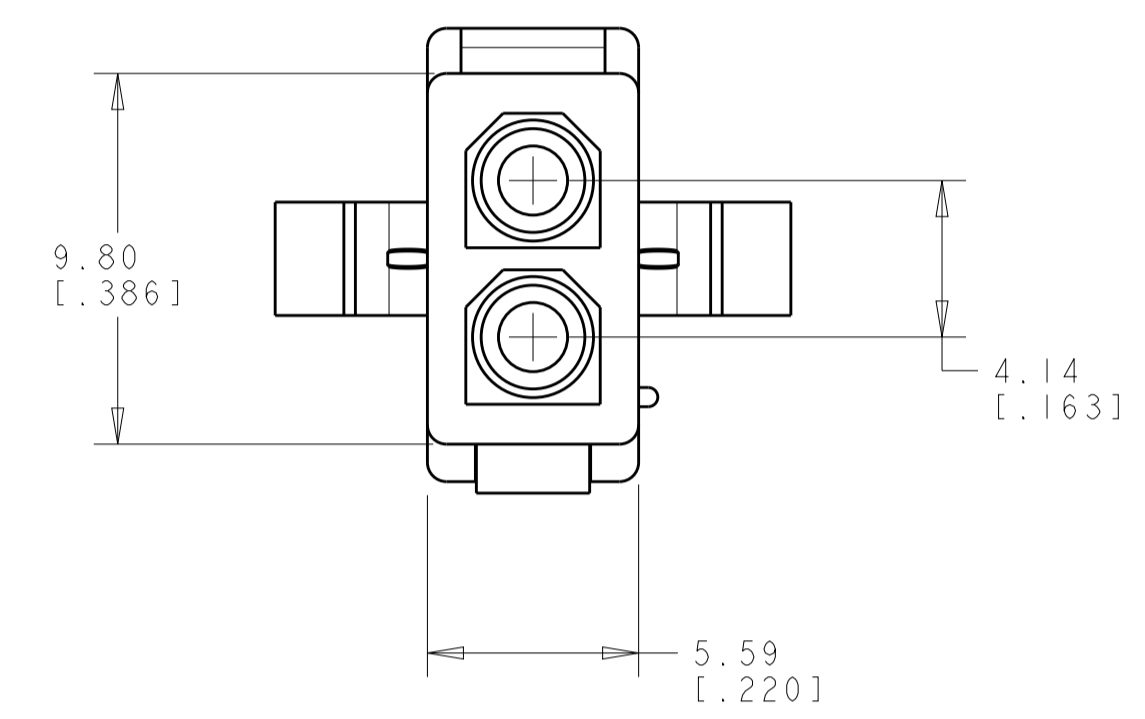
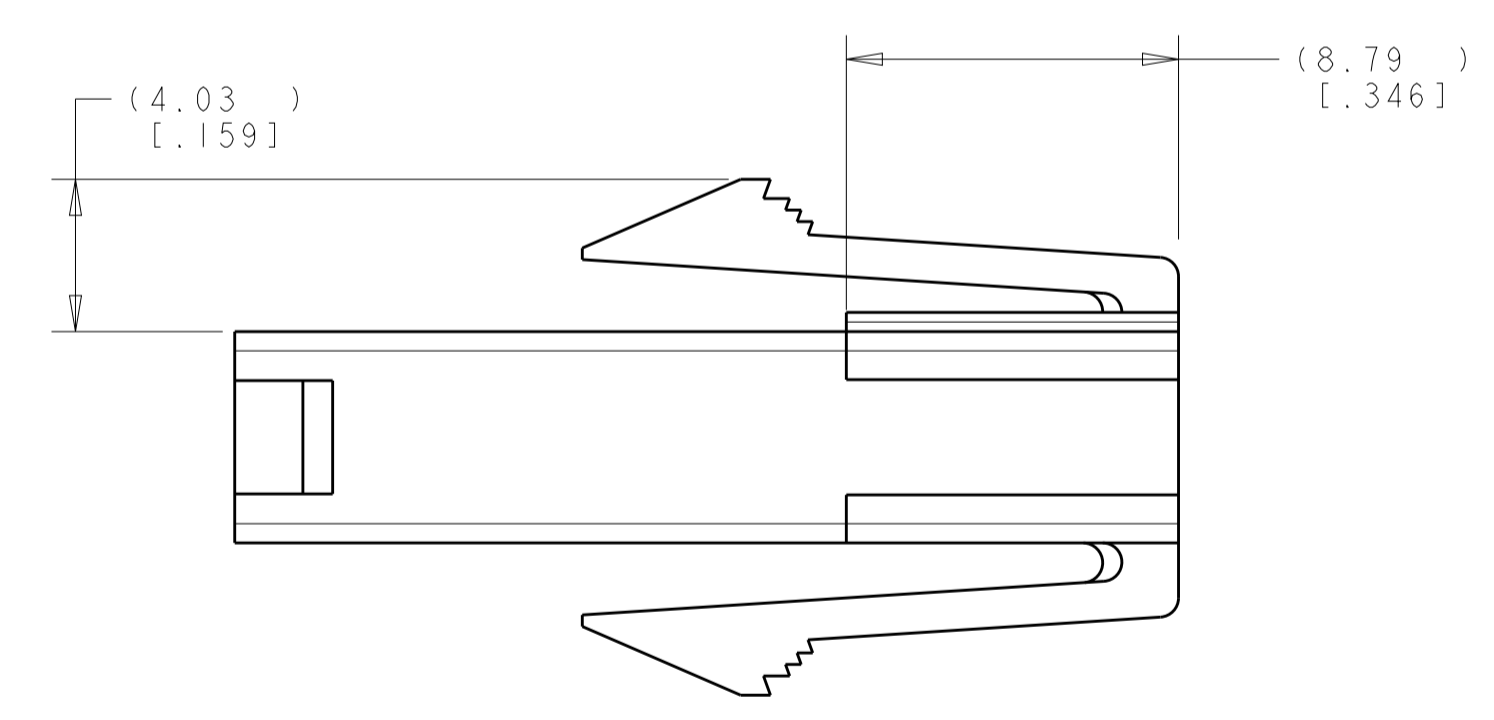
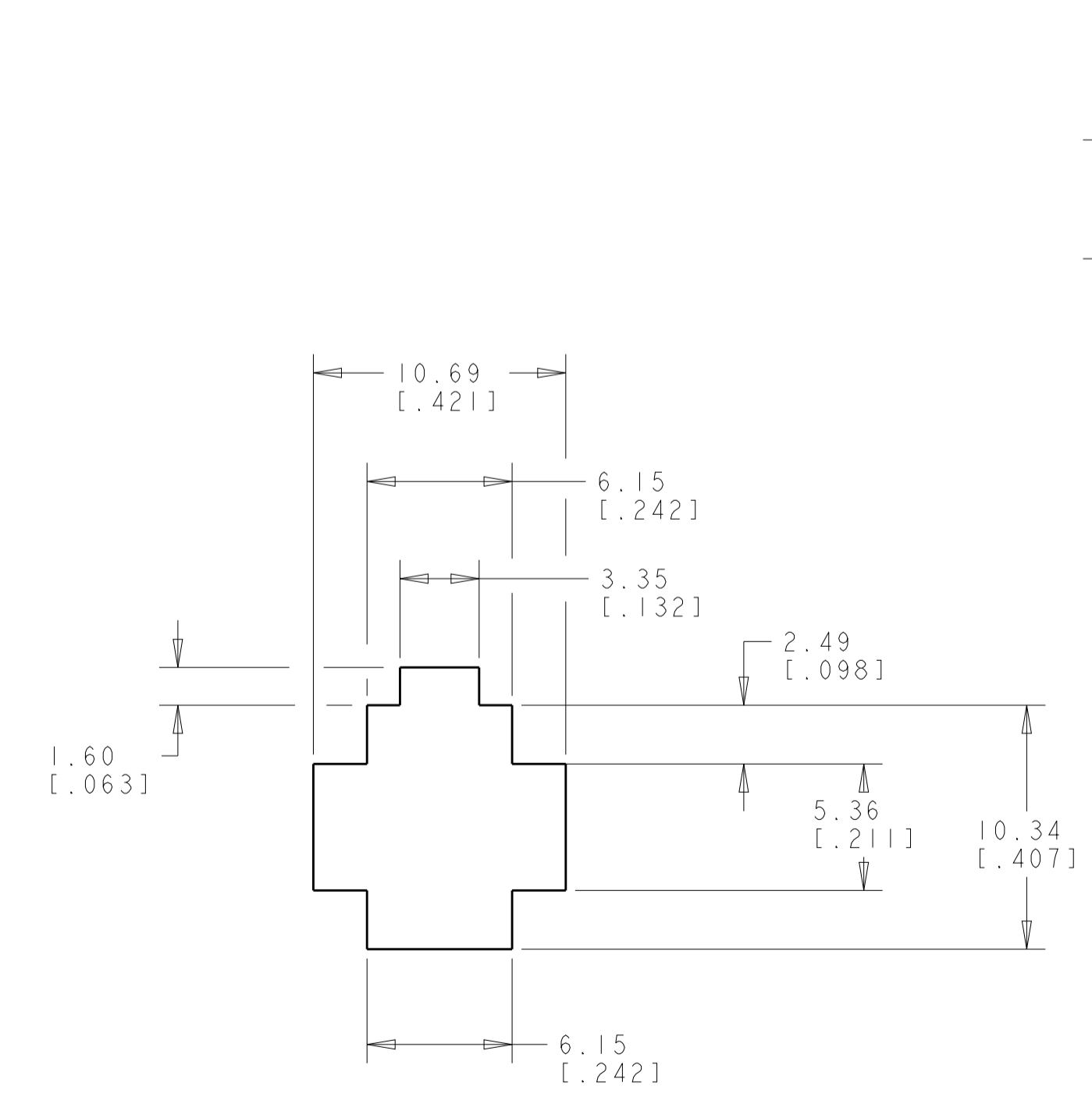


LOC	DIST	REVISIONS			
P	LTN	DESCRIPTION	DATE	DWN	APVD
A3	ECR-15-006129		30APR2015	SC	DZ



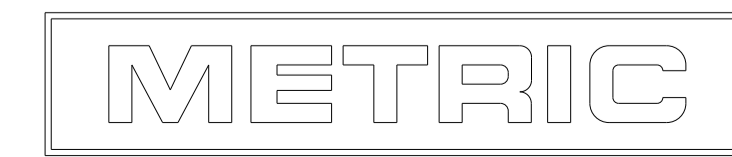
1. APPLICABLE CONTACT P/N: 170539, 170360, 170361, 170362.
2. MATING HOUSING P/N: 794894.
3. RECOMMENDED PANEL THICKNESS TO BE 0.8-2.0 [.031-.079].
4. HOUSING INSERTION INTO THE PANEL CUT OUT MUST BE IN THE SAME DIRECTION AS THE PUNCH.
5. GWT 750° (WITH OUT FLAME) ACC. IEC 60335-1
6. MATERIAL DESIGNATION.



RECOMMENDED PANEL CUT OUT  
SCALE 4:1

REMARKS	COLOUR	MATERIAL	PART NUMBER
	NATURAL	PA6 UL94-V2	794896-3
	RED	PA6 UL94-V2	794896-2
	NATURAL	PA66/6 UL94-V0	794896-1

THIS DRAWING IS A CONTROLLED DOCUMENT.		DWN R. WHITAKER 29JAN2001	NAME	
DIMENSIONS: mm [ INCHES ]		CHK C. JONES 29JAN2001	CAP, 2 CIRCUIT, SEALED APPLICATION, MINI UNIVERSAL MATE-N-LOK™	
TOLERANCES UNLESS OTHERWISE SPECIFIED:		APVD C. JONES 29JAN2001	SIZE A1	RESTRICTED TO
0 PLC ±	1 PLC ±	PRODUCT SPEC	CAGE CODE	DRAWING NO
2 PLC ±0.13 (1.015)	3 PLC ±.005	APPLICATION SPEC	794896	
4 PLC ±	ANGLES 40°/30°	WEIGHT	SCALE	SHEET
MATERIAL	FINISH	CUSTOMER DRAWING	5:1	OF 1
			REV	A3



单击下面可查看定价，库存，交付和生命周期等信息

[>>TE Connectivity\(泰科\)](#)