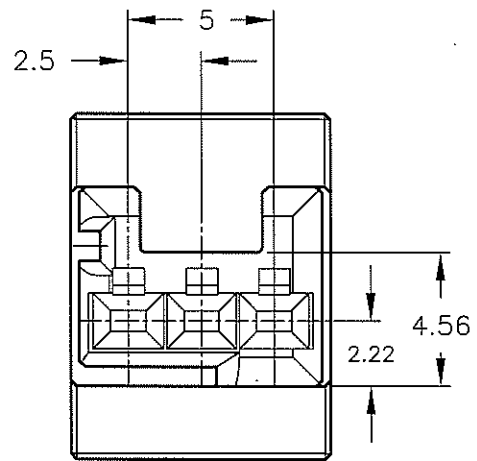
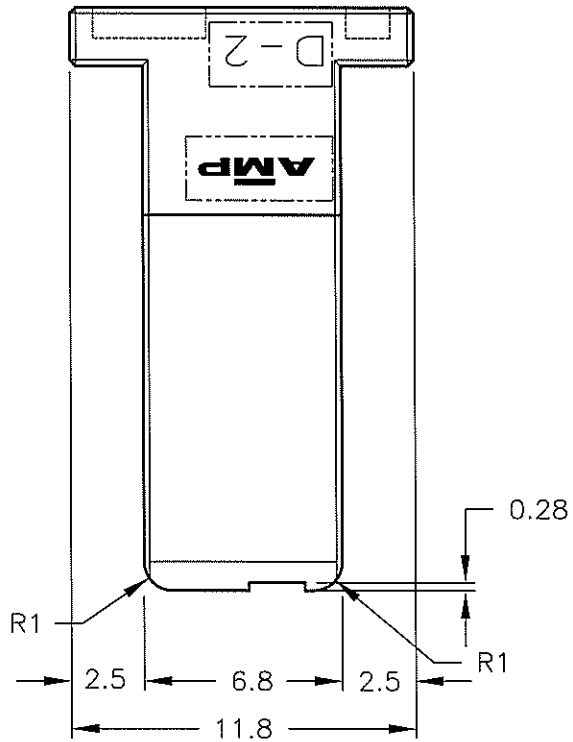
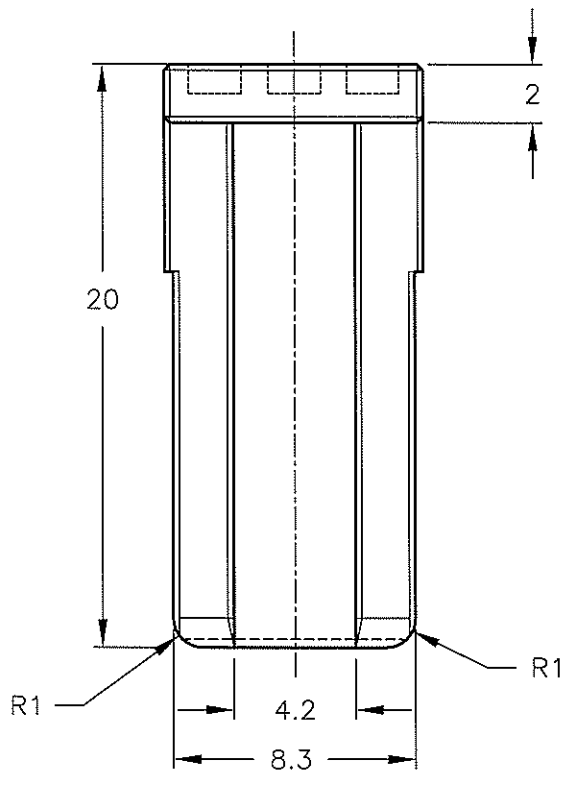
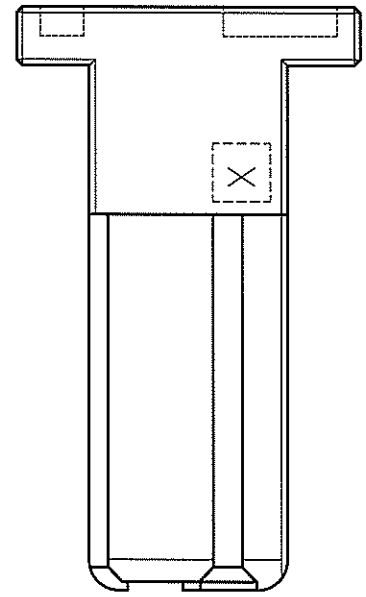
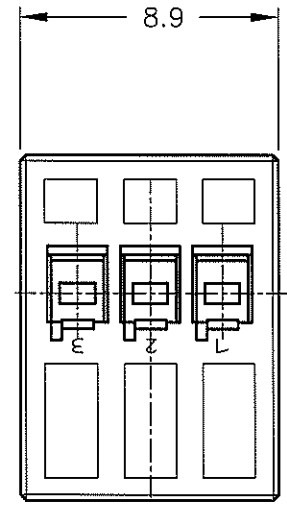


THIS DRAWING IS UNPUBLISHED. RELEASED FOR PUBLICATION .2000.12.01  
 © COPYRIGHT 2000 BY AMP INCORPORATED. ALL RIGHTS RESERVED.

LOC		DIST		REVISIONS				
P	LTR	DESCRIPTION	ECN	DATE	DWN	APVD		
	0	RELEASED	FJ00-1876-00	1.DEC'00	T.S	S.M		
	01	REVISED	ECR-06-023517	5/OCT '06	T.S	D.M		

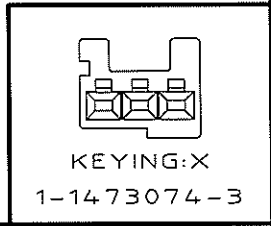
D  
C  
B  
A



A1 REVISED

注記  
 ⚠ 材料:ハウジング:ガラス入り熱可塑性ポリエステル樹脂(94V-0),色:黒

NOTES  
 ⚠ MATERIAL:HOUSING:GLASS FILED THERMO PLASTIC ,POLYESTER(94V-0),COLOR:BLACK



-	3	1-1473074-3
FINISH	POS	PART NUMBER

THIS DRAWING IS A CONTROLLED DOCUMENT FOR AMP INCORPORATED. IT IS SUBJECT TO CHANGE AND THE CONTROLLING ENGINEERING ORGANIZATION SHOULD BE CONTACTED FOR THE LATEST REVISION.		OWN T.SAKAMOTO CHK 1.DEC '00 APVD S.MANABE		Tyco Electronics AMP K.K. Kawasaki, Japan	
DIMENSIONS: 単位 特 mm		TOLERANCES UNLESS OTHERWISE SPECIFIED 一般公差 12 : ±0.3 32 > 10 : ±0.35 102 > 30 : ±0.4 ANGLE : ±3'		NAME 1列 リセハウジング REC HSG (W/O LOCK) <DYNAMIC D-2100D>	
MATERIAL 材料 ⚠		FINISH 仕上		PRODUCT SPEC 製品規格 108-5619 APPLICATION SPEC 取付適用規格 114-5258	
				SIZE   CAGE CODE   DRAWING NO A3   00779   C=1473074	
				RESTRICTED TO -	
		CUSTOMER DRAWING		SCALE 4-1   SHEET 1 OF 1   REV 01	

单击下面可查看定价，库存，交付和生命周期等信息

[>>TE Connectivity\(泰科\)](#)