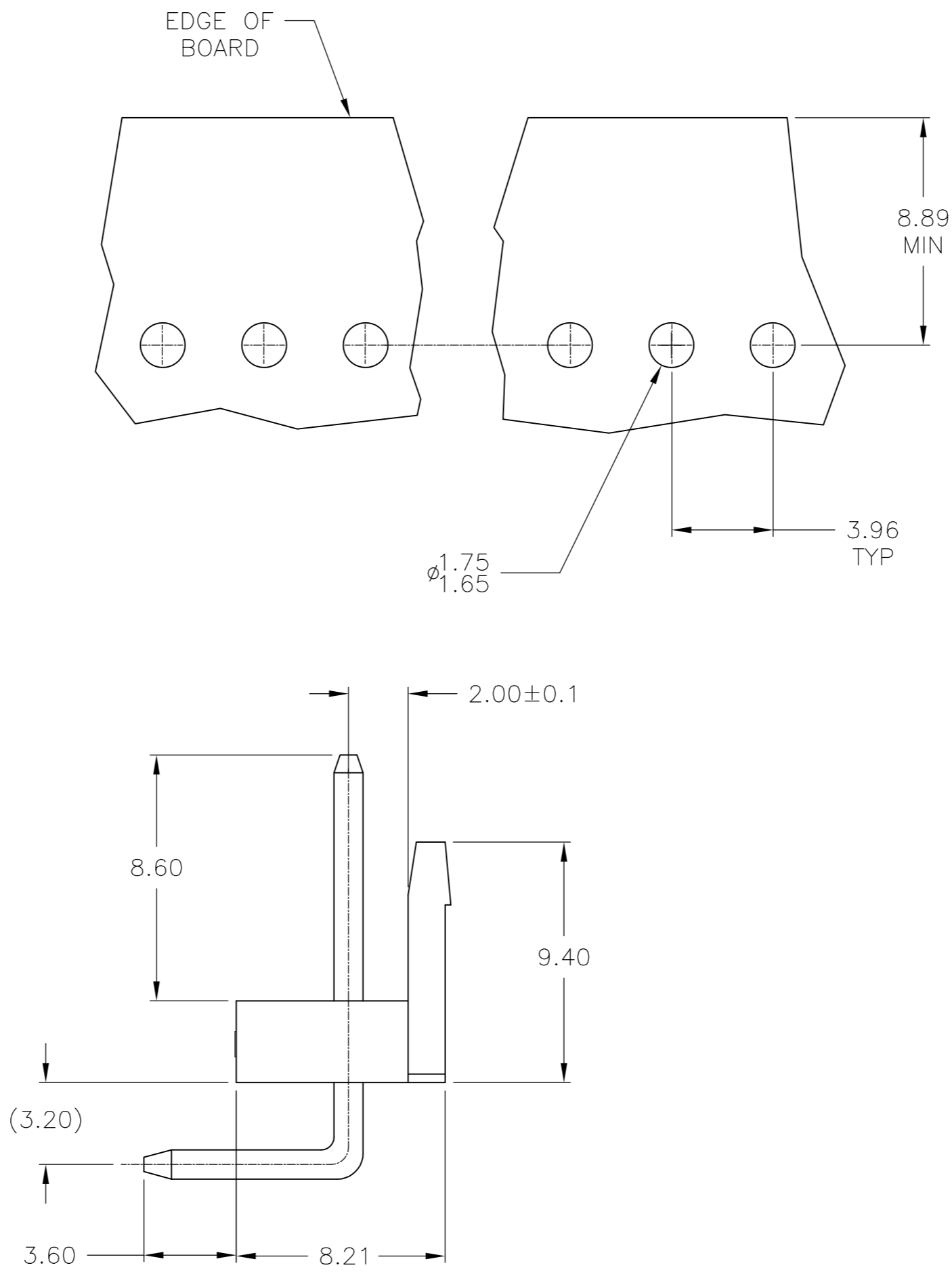
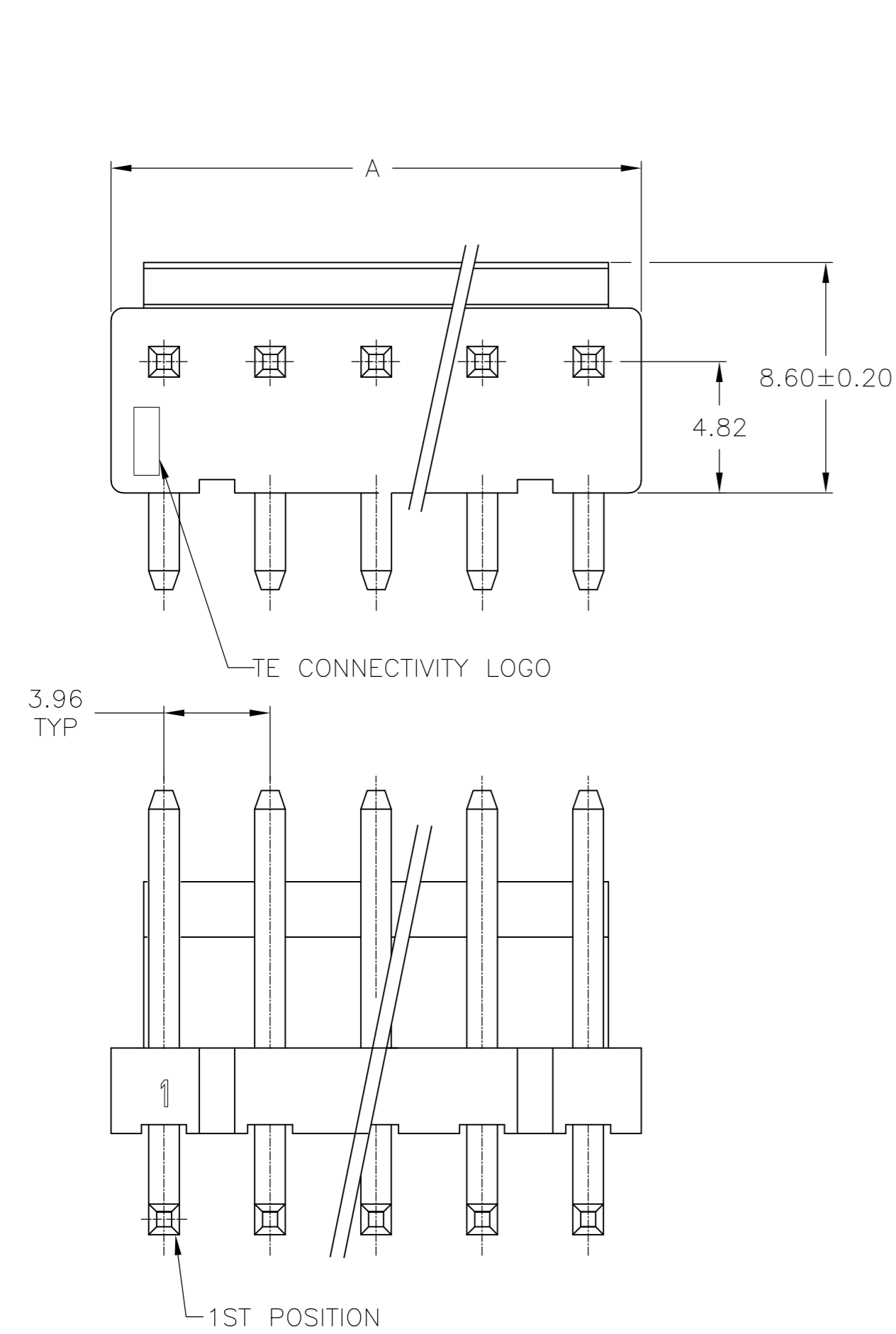


THIS DRAWING IS UNPUBLISHED. RELEASED FOR PUBLICATION  
 © COPYRIGHT - By - ALL RIGHTS RESERVED.

REVISIONS					
P	LTR	DESCRIPTION	DATE	DWN	APVD
B1		REVISED PER ECR-16-017535	19JAN17	O.C	D.Z



- MATERIAL :  
 HOUSING : THERMOPLASTIC Nylon66UL94V-0.  
 WHITE COLOR.  
 CONTACT : BRASS.
- FINISH:  
 CONTACT : 80u" MIN. TIN PLATED ON  
 CONTACT AREA.

47.52	12	1-647676-2
43.56	11	1-647676-1
39.60	10	1-647676-0
35.64	9	647676-9
31.68	8	647676-8
27.72	7	647676-7
23.76	6	647676-6
19.80	5	647676-5
15.84	4	647676-4
11.88	3	647676-3
7.92	2	647676-2
DIM. A CIRCUITS		PART NUMBER

THIS DRAWING IS A CONTROLLED DOCUMENT.		DWN K. WHITAKER 22JUL04	 TE Connectivity ASSEMBLY, EP HEADER, RIGHT ANGLE					
DIMENSIONS: mm		CHK D. BOSSI 22JUL04				NAME	SIZE	CAGE CODE
TOLERANCES UNLESS OTHERWISE SPECIFIED: 0 PLC ± 0.3 1 PLC ± 0.25 2 PLC ± 0.12 3 PLC ± 0.05 4 PLC ± - ANGLES ± 3'0"		APVD D. BOSSI 22JUL04				DRAWING NO	RESTRICTED TO	
MATERIAL		PRODUCT SPEC				SCALE	SHEET	REV
FINISH		APPLICATION SPEC	00779	1 of 1	B1			
-		WEIGHT	0.000000	5:1				
-		CUSTOMER DRAWING	C=647676					

单击下面可查看定价，库存，交付和生命周期等信息

[>>TE Connectivity\(泰科\)](#)