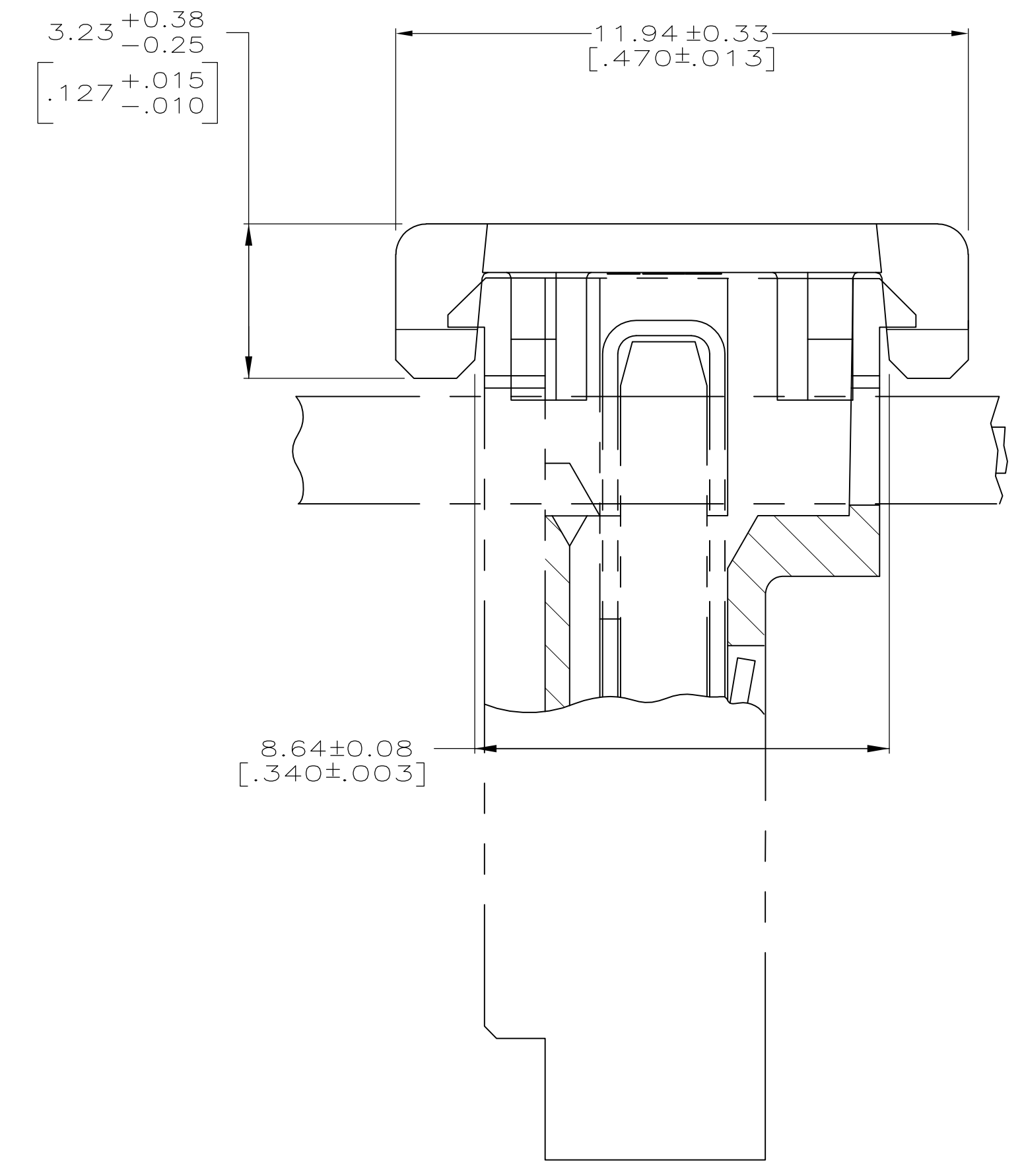
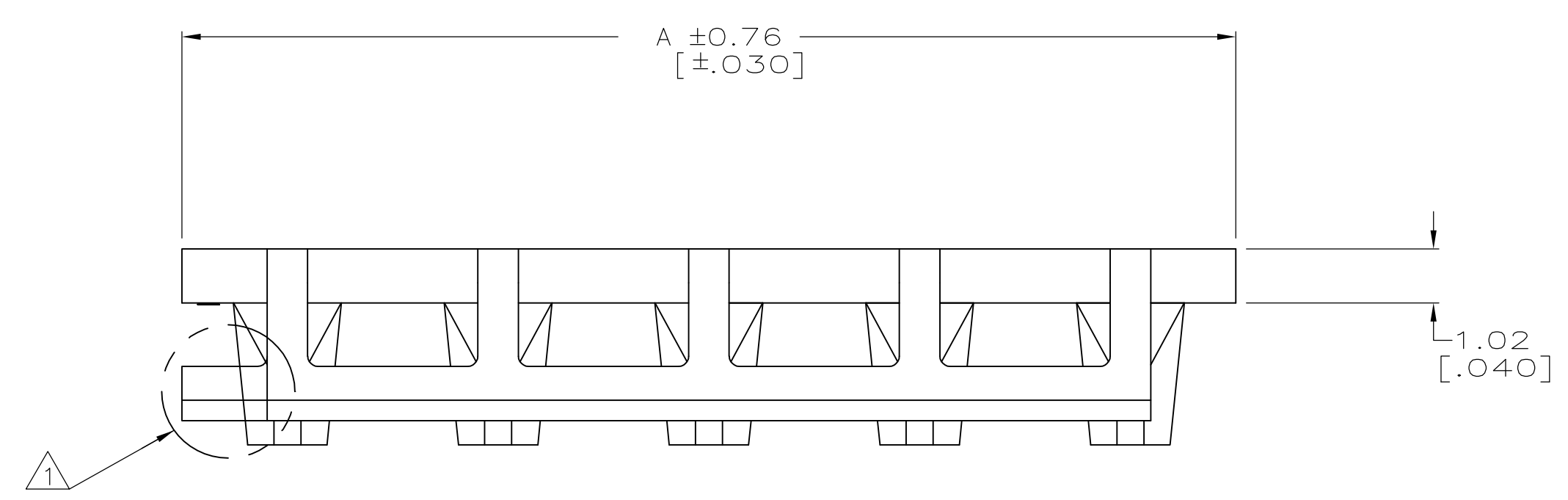
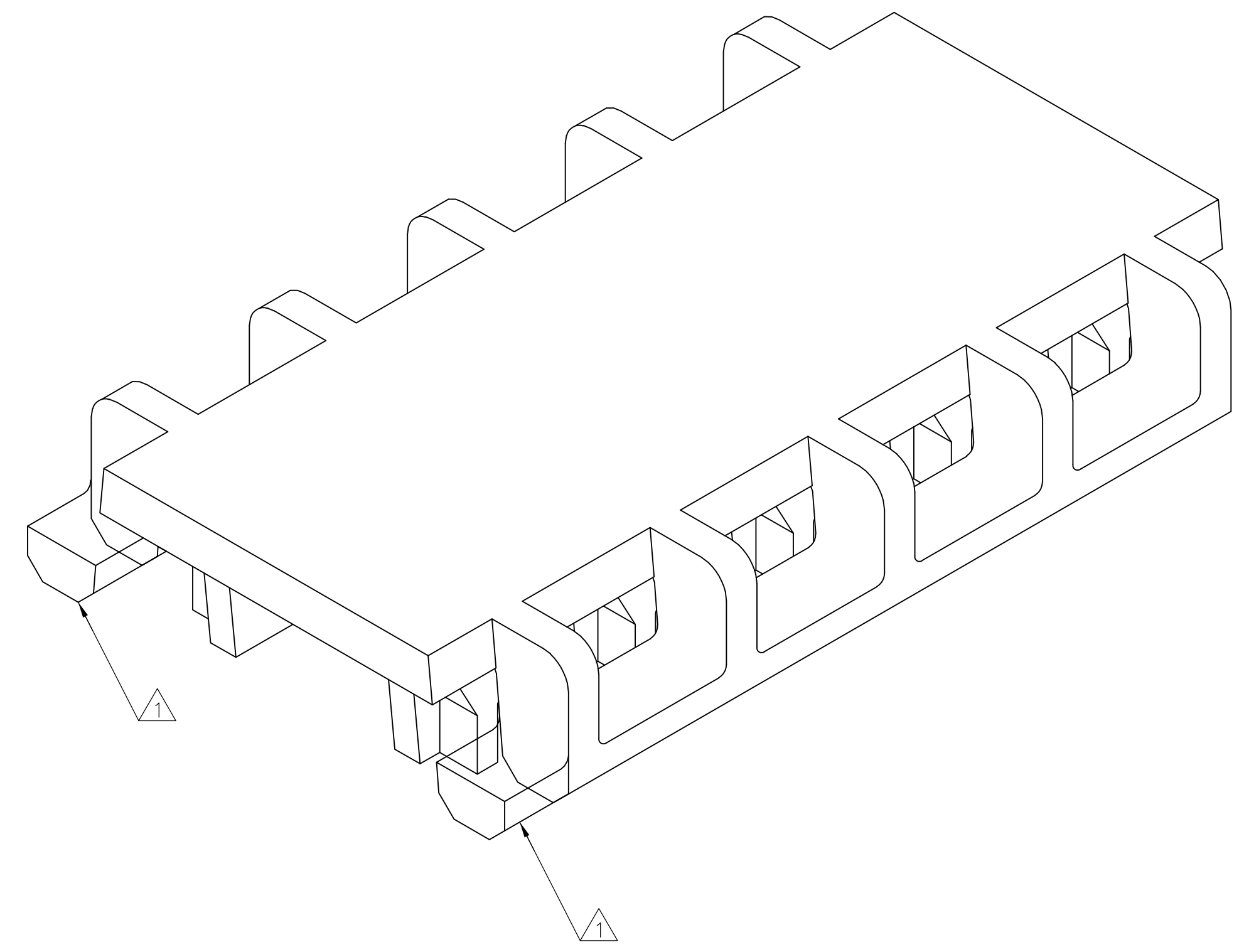


LOC	DIST	REVISIONS					
CM	54	P	LTR	DESCRIPTION	DATE	DWN	APVD
		F1		REVISED PER ECO-11-004820	11MAR11	RK	HMR



1 PART MAY BE MOLDED TO DESIRED POSITION SIZE OR CUT TO DESIRED POSITION SIZE FROM A LARGER POSITION SIZE PART. WHEN PART IS CUT TO DESIRED POSITION SIZE, A PORTION OF FRONT LOCKING BAR WILL REMAIN ATTACHED.

2. DIMENSIONS IN BRACKETS ARE IN INCHES.



3-DIMENSIONAL MODEL  
NTS

24 CIRCUIT ASSEMBLIES	95.10 [3.744]	2-643071-4
23 CIRCUIT ASSEMBLIES	91.14 [3.588]	2-643071-3
22 CIRCUIT ASSEMBLIES	87.17 [3.432]	2-643071-2
21 CIRCUIT ASSEMBLIES	83.21 [3.276]	2-643071-1
20 CIRCUIT ASSEMBLIES	79.25 [3.120]	2-643071-0
19 CIRCUIT ASSEMBLIES	75.29 [2.964]	1-643071-9
18 CIRCUIT ASSEMBLIES	71.32 [2.808]	1-643071-8
17 CIRCUIT ASSEMBLIES	67.36 [2.652]	1-643071-7
16 CIRCUIT ASSEMBLIES	63.40 [2.496]	1-643071-6
15 CIRCUIT ASSEMBLIES	59.44 [2.340]	1-643071-5
14 CIRCUIT ASSEMBLIES	55.47 [2.184]	1-643071-4
13 CIRCUIT ASSEMBLIES	51.51 [2.028]	1-643071-3
12 CIRCUIT ASSEMBLIES	47.55 [1.872]	1-643071-2
11 CIRCUIT ASSEMBLIES	43.59 [1.716]	1-643071-1
10 CIRCUIT ASSEMBLIES	39.62 [1.560]	1-643071-0
9 CIRCUIT ASSEMBLIES	35.66 [1.404]	643071-9
8 CIRCUIT ASSEMBLIES	31.70 [1.248]	643071-8
7 CIRCUIT ASSEMBLIES	27.74 [1.092]	643071-7
6 CIRCUIT ASSEMBLIES	23.77 [.936]	643071-6
5 CIRCUIT ASSEMBLIES	19.81 [.780]	643071-5
4 CIRCUIT ASSEMBLIES	15.85 [.624]	643071-4
3 CIRCUIT ASSEMBLIES	11.89 [.468]	643071-3
2 CIRCUIT ASSEMBLIES	7.92 [.312]	643071-2
USE ON MTA 156 ASSEMBLIES AS LISTED	A	PART NO

THIS DRAWING IS A CONTROLLED DOCUMENT.

DIMENSIONS: mm [INCHES]	TOLERANCES UNLESS OTHERWISE SPECIFIED:	APVD D. CLARK	NAME
0 PLC ± -	1 ± -	10-13-95	R. VESTAL
2 PLC ± -	2 ± -	10-13-95	R. SWING
3 PLC ± 0.13 [.005]	3 ± -	10-13-95	D. CLARK
4 PLC ± ± -	4 ± -		
ANGLES ± ± -			
MATERIAL NYLON,UL 94V-2 WHITE	FINISH -	WEIGHT -	SIZE CAGE CODE DRAWING NO A1 00779 C=643071
CUSTOMER DRAWING			RESTRICTED TO -

SCALE 10:1 SHEET 1 OF 1 REV F1

单击下面可查看定价，库存，交付和生命周期等信息

[>>TE Connectivity\(泰科\)](#)