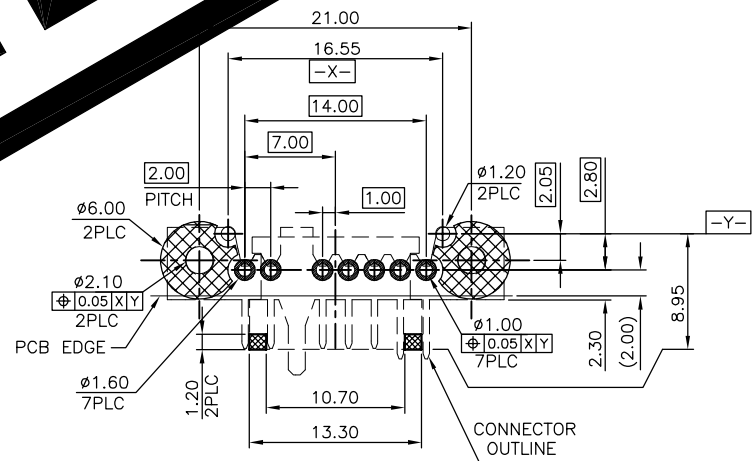
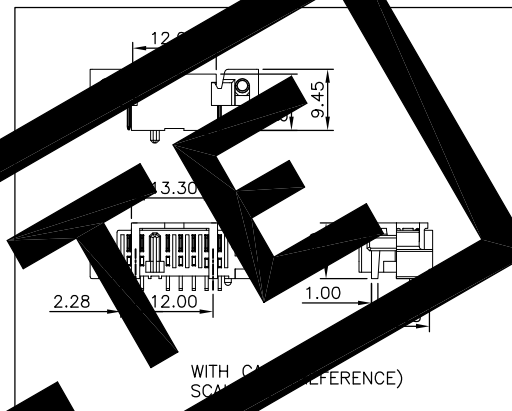
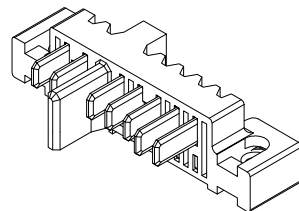
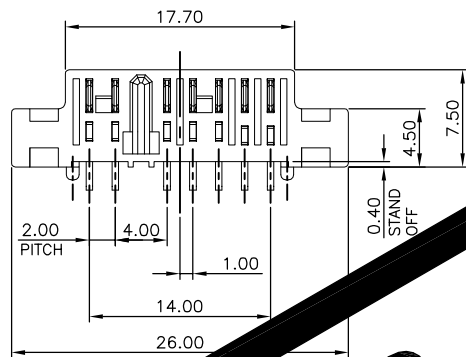
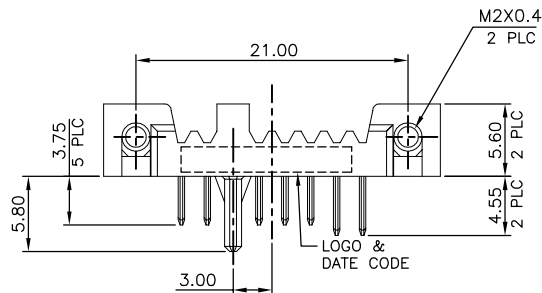


THIS DRAWING IS UNPUBLISHED. RELEASED FOR PUBLICATION
 © COPYRIGHT - TE Connectivity ALL RIGHTS RESERVED.

REVISIONS				
P	LTR	DESCRIPTION	DATE	DWN APVD
B		OBSOLETE	24NOV2017	A.L W.H



DETAIL A
SCALE 2:1

☒ CAP STAND AREA & KEEP OUT AREA
 RECOMMENDED P.C.B LAYOUT <TOP VIEW>
 THICKNESS: 1.20mm, TOLERANCE: ±0.05mm

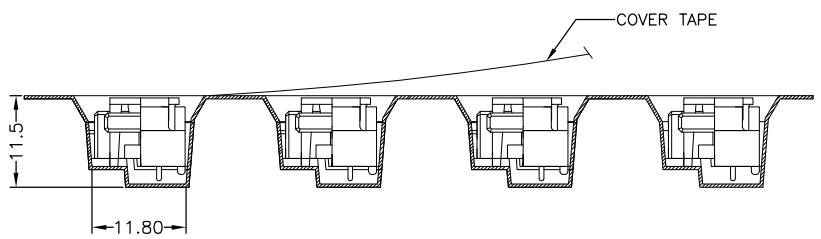
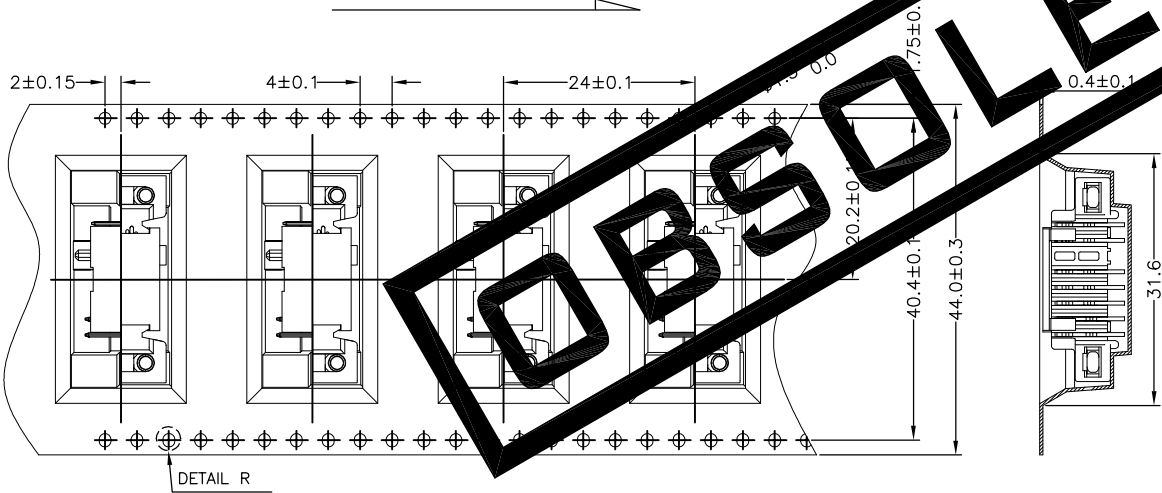
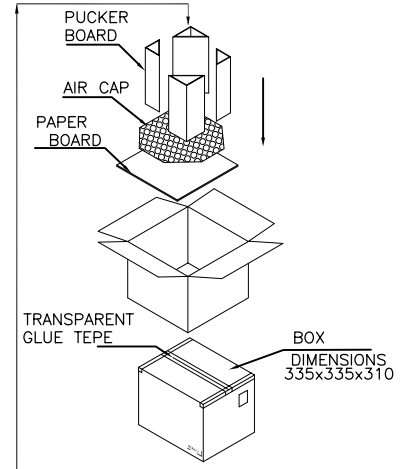
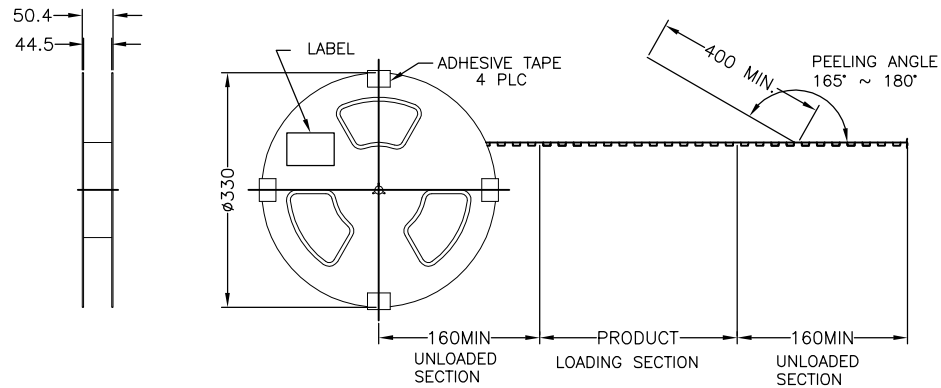
- NOTE:
 1.MATERIAL:
 1.1.HOUSING: LCP WITH 50% 94V-0, COLOR: BLACK
 1.2.CONTACT: 254um[100u"] MIN. MATTE-TIN ON SOLDER TAIL
 1.3.NUTS: STEEL
 2.FINISH:
 CONTACT: GOLD PLATED ON CONTACT AREA
 2.54um[100u"] MIN. MATTE-TIN ON SOLDER TAIL
 1.27um[50u"] MIN. NICKEL UNDERPLATE OVERALL
 3.REFLOW SOLDER CAPABLE TO 260°C PER TEST SPEC TEC-109-201
 4. LOW HALOGEN SPECIFICATION
 CHLORINE(CL): 900 ppm MAX.
 BROMINE(BR): 900 ppm MAX.
 CL + BR : 1500 ppm MAX.

2041432-1
 PART NUMBER

THIS DRAWING IS A CONTROLLED DOCUMENT.		DWN ART.LIN 24NOV2017	TE Connectivity	
		CHK WENKE,HE 24NOV2017	BATTERY CONNECTOR 2.0MM PITCH, PLUG, 7.5H, 5.5CH, R/A TYPE	
		APVD WENKE,HE 24NOV2017	NAME	
DIMENSIONS: mm		PRODUCT SPEC 108-57891	SIZE CAGE CODE DRAWING NO	
TOLERANCES UNLESS OTHERWISE SPECIFIED: 0 PLC ± - 1 PLC ± 0.3 2 PLC ± 0.20 3 PLC ± 0.150 4 PLC ± - ANGLES ± 3		APPLICATION SPEC	RESTRICTED TO	
MATERIAL SEE NOTE		WEIGHT 1.91 GRAMS	A3 00779 C=2041432	
FINISH SEE NOTE		CUSTOMER DRAWING		SCALE 1:1 SHEET 1 OF 2 REV B

THIS DRAWING IS UNPUBLISHED. RELEASED FOR PUBLICATION
 © COPYRIGHT - TE Connectivity ALL RIGHTS RESERVED.

REVISIONS					
P	LTR	DESCRIPTION	DATE	DWN	APVD
-	-	SEE SHEET 1	-	-	-



- MATERIAL :
 - CARRIER TAPE: PS
 - COVER TAPE: PET
 - REEL: PS
 - BOX: CORRUGATED FIBER
- PEELING STRENGTH: $0.1 \sim 0.7 \text{N}$.
- PEELING SPEED: 300mm/min .

5.63KG	2.29KG	200	6	1200	2041432-1
GROSS WEIGHT	NET WEIGHT	PCS/ REEL	REEL/ BOX	PCS/ BOX	PART NUMBER

THIS DRAWING IS A CONTROLLED DOCUMENT.

DWN	ART.LIN	24NOV2017
CHK	WENKE,HE	24NOV2017
APVD	WENKE,HE	24NOV2017
PRODUCT SPEC	-	-
APPLICATION SPEC	-	-
WEIGHT	-	-
CUSTOMER DRAWING		

TE Connectivity

BATTERY CONNECTOR
2.0MM PITCH, PLUG, 7.5H, 5.5CH, R/A TYPE

SIZE	CAGE CODE	DRAWING NO	RESTRICTED TO
A3	00779	C=2041432	-

SCALE 1:1 SHEET 2 OF 2 REV B

单击下面可查看定价，库存，交付和生命周期等信息

[>>TE Connectivity\(泰科\)](#)