

4

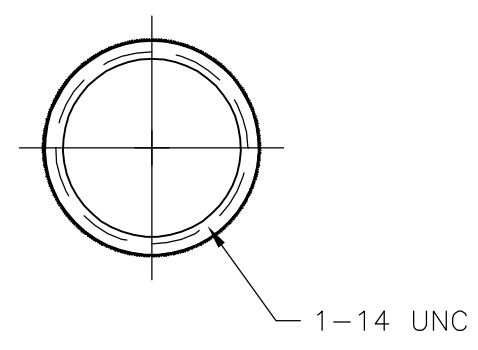
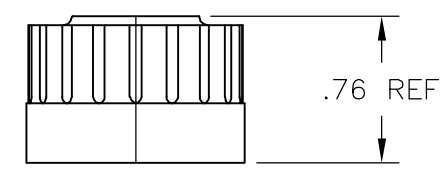
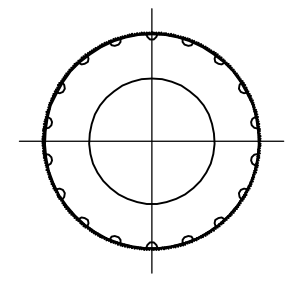
3

2

1

THIS DRAWING IS UNPUBLISHED. RELEASED FOR PUBLICATION
 © COPYRIGHT - BY TYCO ELECTRONICS CORPORATION. ALL RIGHTS RESERVED.

LOC	DIST	REVISIONS				
P	LTR	DESCRIPTION	DATE	DWN	APVD	
FT	0	B	REVISED PER ECO-06-16025	7/7/06	SS	DC



	1-1546407-1
SUPERSEDED	1546407-1
	PART NO.

THIS DRAWING IS A CONTROLLED DOCUMENT.		DWN S SCHLEGEL	7/22/03	Tyco Electronics Corporation Harrisburg, PA 17105-3608	
DIMENSIONS: INCHES		CHK H WAKEEM	7/22/03		
		APVD H WAKEEM	7/22/03	NAME IP65 RATED CLOSURE CAP FOR RECEPTACLE, INDUSTRIAL ETHERNET	
TOLERANCES UNLESS OTHERWISE SPECIFIED:		PRODUCT SPEC		RESTRICTED TO	
0 PLC ± - 1 PLC ± - 2 PLC ± .02 3 PLC ± .005 4 PLC ± - ANGLES ± 2°		APPLICATION SPEC		SIZE	CAGE CODE
MATERIAL		WEIGHT		A3	00779
FINISH		CUSTOMER DRAWING		DRAWING NO	C-1546407
		SCALE		NTS	SHEET
				1 OF 1	REV
				B	

单击下面可查看定价，库存，交付和生命周期等信息

[>>TE Connectivity\(泰科\)](#)