

DRAWING MADE IN THIRD ANGLE PROJECTION

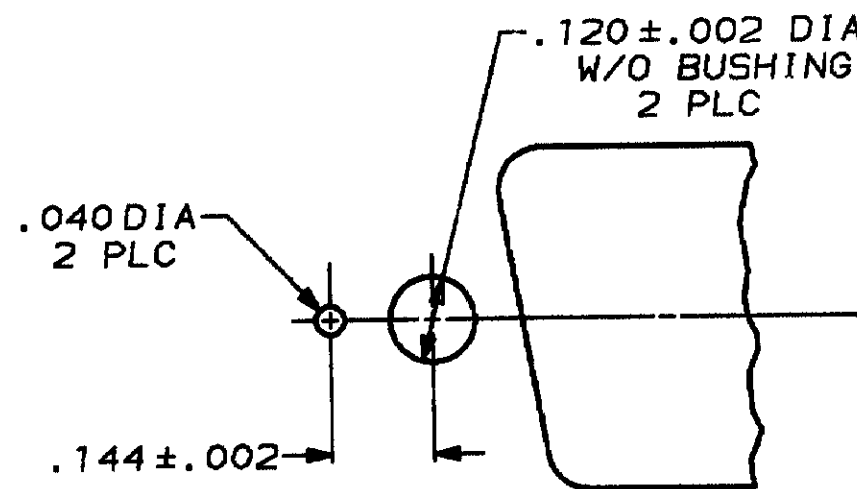
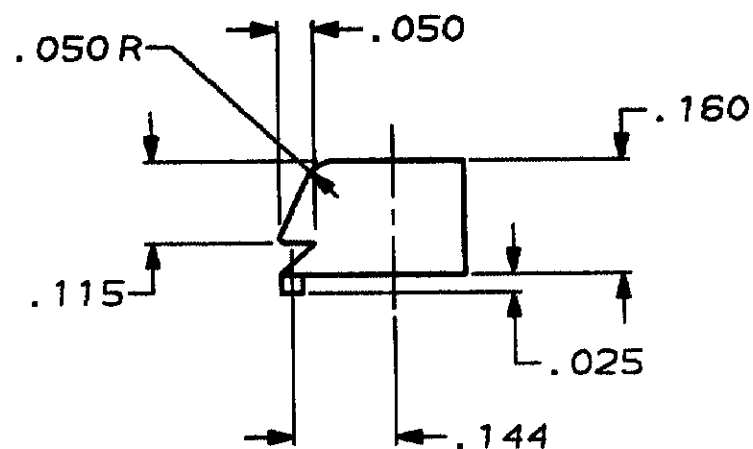
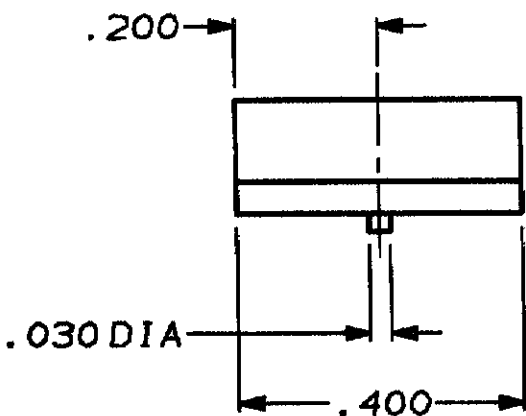
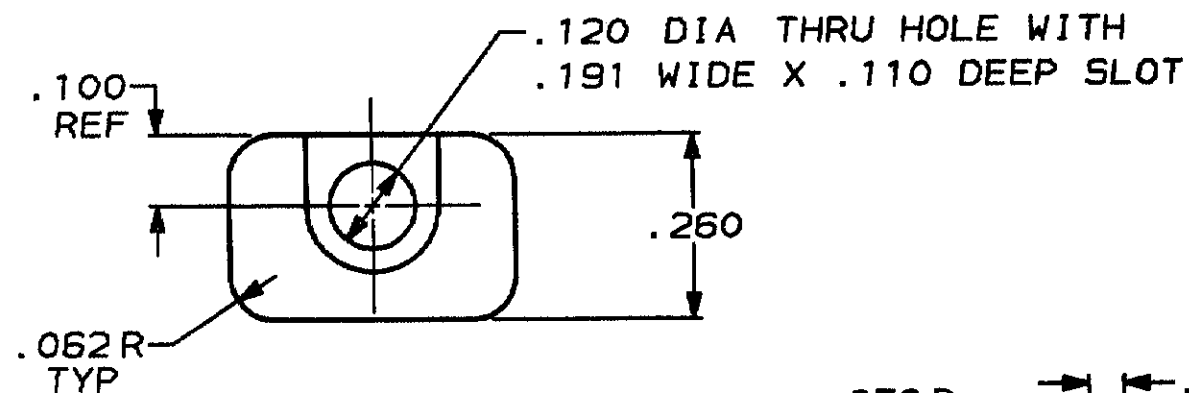
THIS DRAWING IS UNPUBLISHED. RELEASED FOR PUBLICATION , 19

© COPYRIGHT 19

BY AMP INCORPORATED. ALL INTERNATIONAL RIGHTS RESERVED.

MOD	LOC	DIST
8	BD	39

REVISIONS				DATE	APPD
P	F	ZONE	LTR	DESCRIPTION	
✓	✓		B	REDRAWN ON CAD	4-10-90



PANEL CUTOUT DETAIL  
NTS

OBSOLETE	BULK PACKAGED	2	747080-3
	ONE KIT PER BAG	2	747080-2
	PACKAGING	QUANTITY	PART NUMBER

DO NOT SCALE PRINT.  
UNLESS SPECIFIED  
DIMENSIONS IN INCHES  
TOLERANCES ON:  
2 PLC DEC \* -  
3 PLC DEC \* .005  
ANGLES \* -

MATERIAL  
**ZINC**

FINISH  
-

DR 4-10-90  
J. GALLUCCI 89

CHK *[Signature]*

APPD *[Signature]* 7-11-90

APPD *[Signature]* 7-16-90

PRODUCT SPEC

APPLICATION SPEC

WEIGHT -

**AMP** AMP INCORPORATED  
Harrisburg, Pa. 17105

LATCHING BLOCK,  
AMPLIMITE™

SIZE	FSCM NO	DRAWING NO
<b>B</b>	00779	747080
SCALE	SHEET	
4:1	1 OF 1	

单击下面可查看定价，库存，交付和生命周期等信息

[>>TE Connectivity\(泰科\)](#)