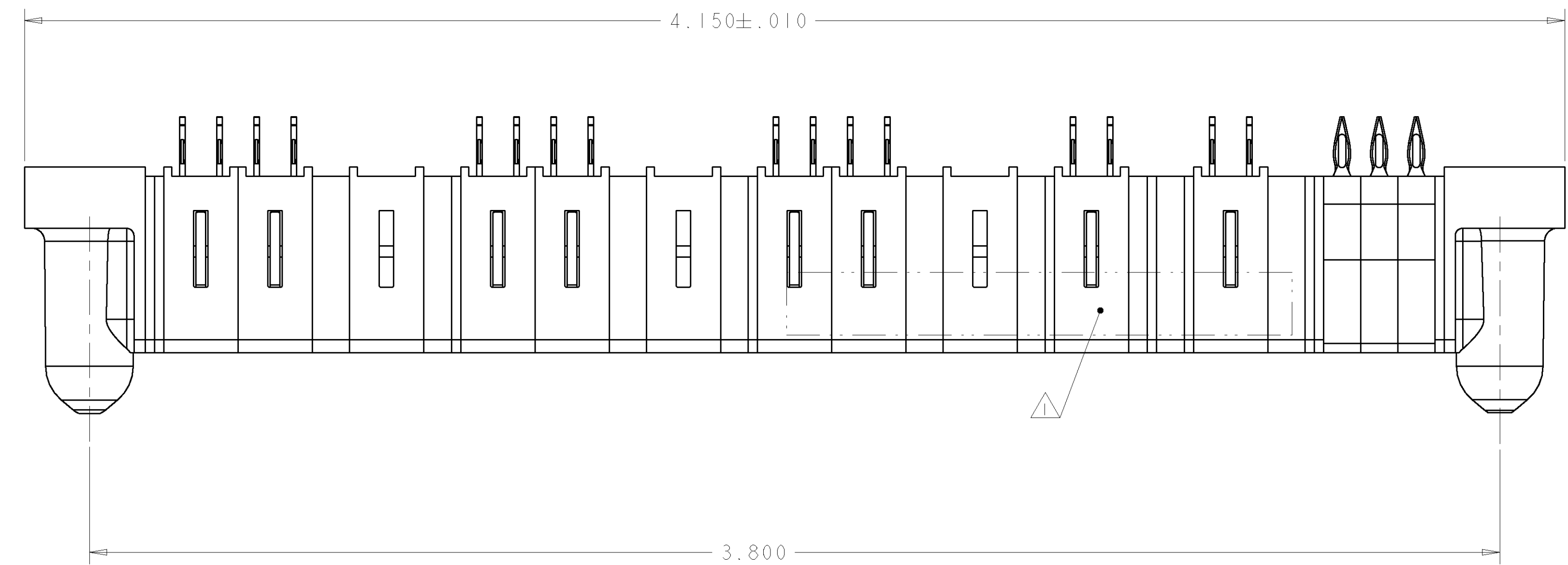
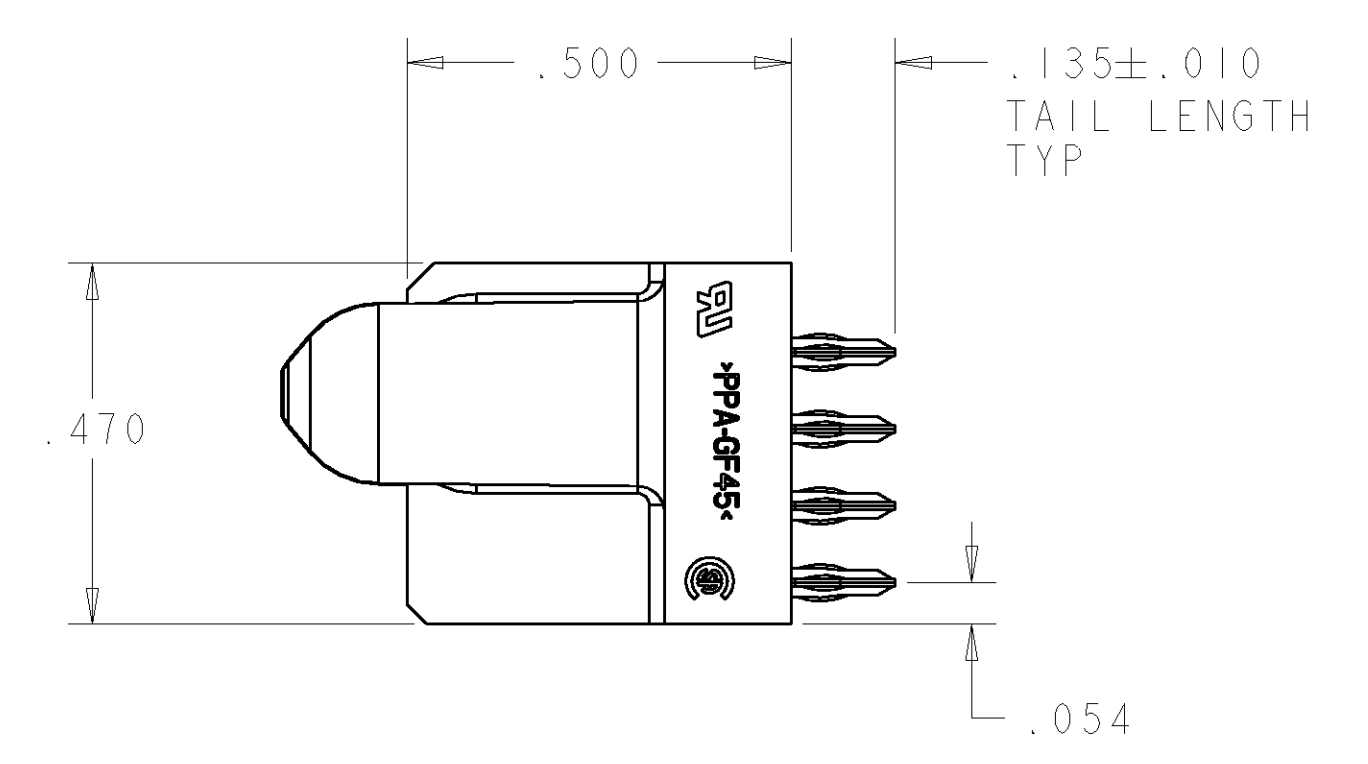
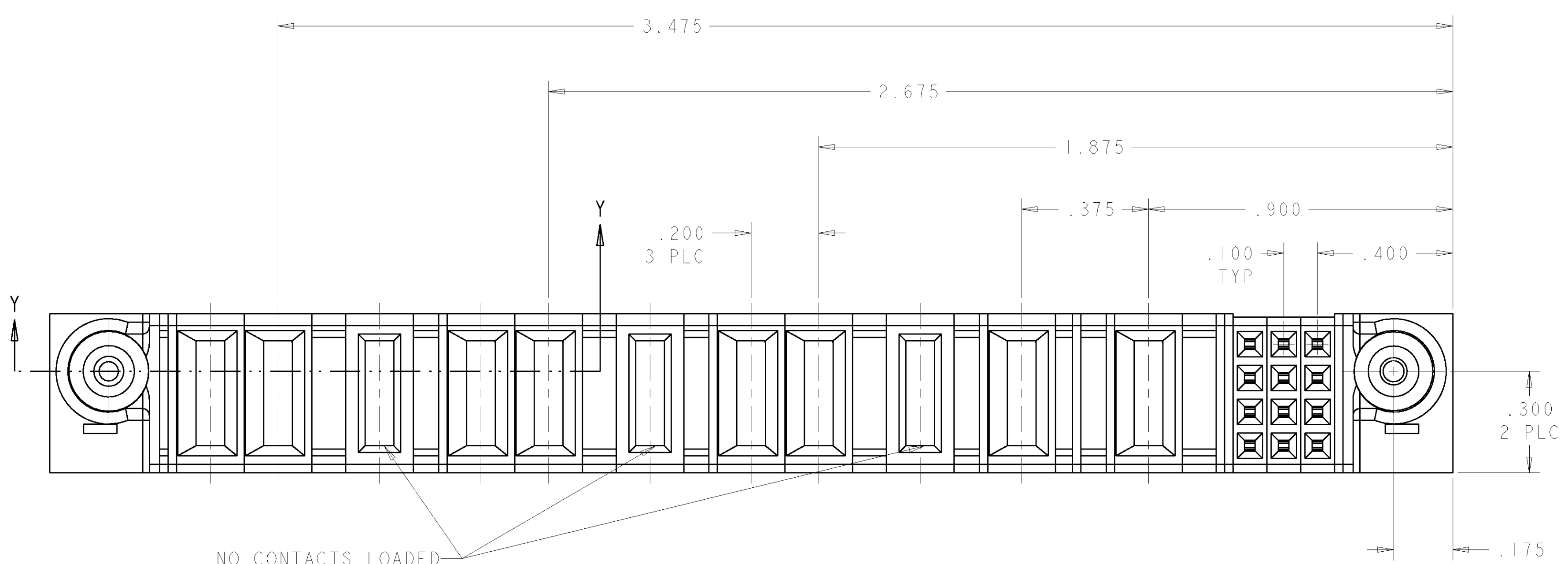


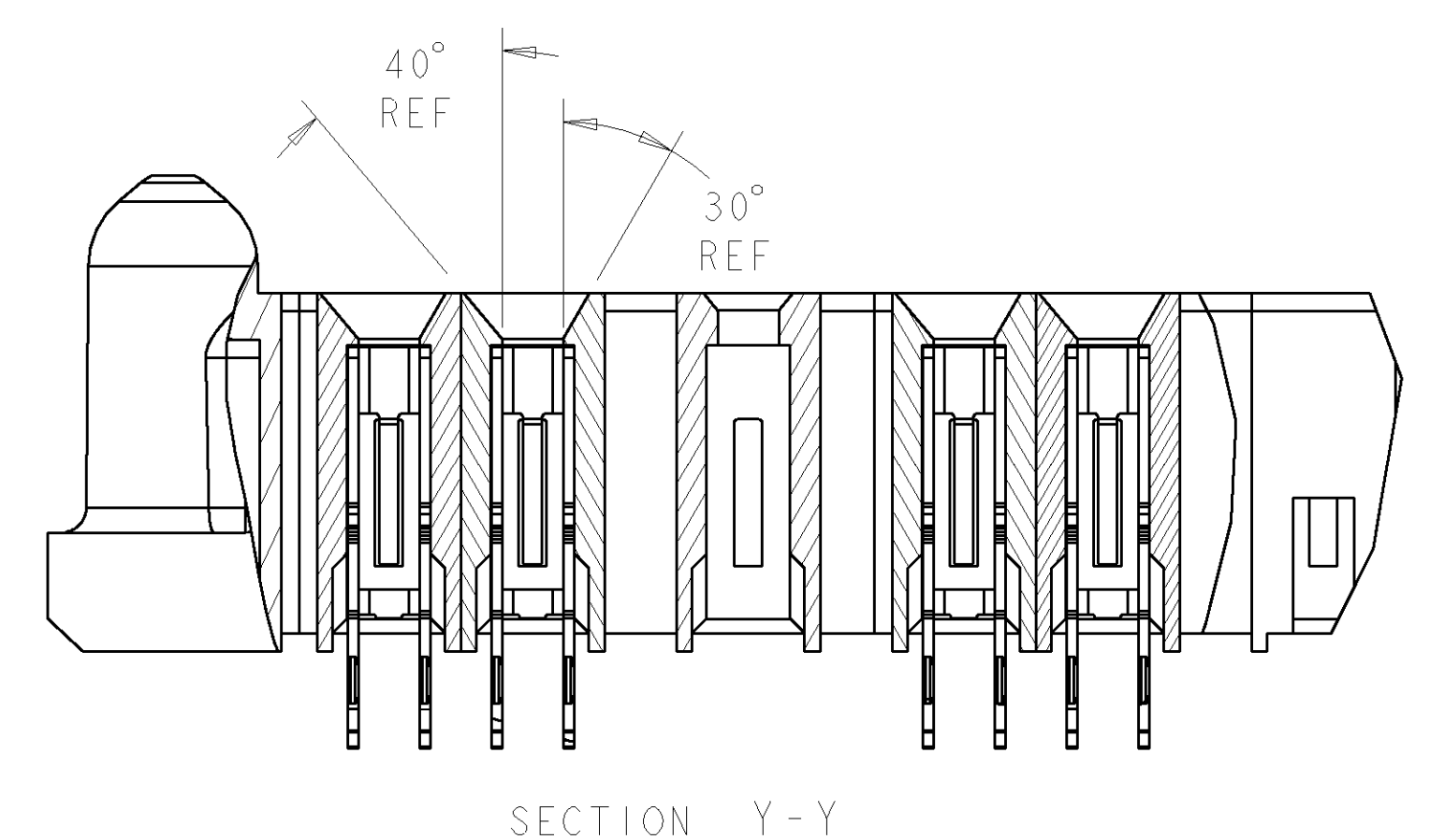
LOC	DIST	REVISIONS			
P	LTR	DESCRIPTION	DATE	DWN	APVD
1		PROPOSED DESIGN	19SEP2005	RG	MP



- 1 "AMP", PART NUMBER, AND DATE CODE TO BE MARKED IN AREA SHOWN
- 2 MATERIAL: HOUSING - GLASS FILLED HIGH TEMP THERMO PLASTIC, UL94 V-0
 SIGNAL CONTACT - HIGH CONDUCTIVITY COPPER ALLOY
 POWER CONTACT - HIGH CONDUCTIVITY COPPER ALLOY
- 3 CONTACT PLATING: SIGNAL CONTACTS - .000050 MIN Ni UNDER ALL
 .000030 MIN Au ON CONTACT AREA
 .000100 MIN Sn AT PCB INTERFACE
 POWER CONTACTS - .000050 MIN Ni UNDER ALL
 .000030 MIN Au ON CONTACT AREA
 .000100 MIN Sn AT PCB INTERFACE
- 4 MECHANICAL CONNECTOR KEEP OUT ZONE
- 5 DATUM AND BASIC DIMENSIONS ESTABLISHED BY CUSTOMER
- 6 PCB - ALL HOLE DIAMETERS ARE FINISHED HOLE SIZES
- 7 PCB - .0453 ± .0010 DRILLED HOLES PLATED WITH .0003 MIN Sn OVER
 .001 TO .003 CU PLATING TO ACHIEVE A .040 DIA HOLE



NO CONTACTS LOADED



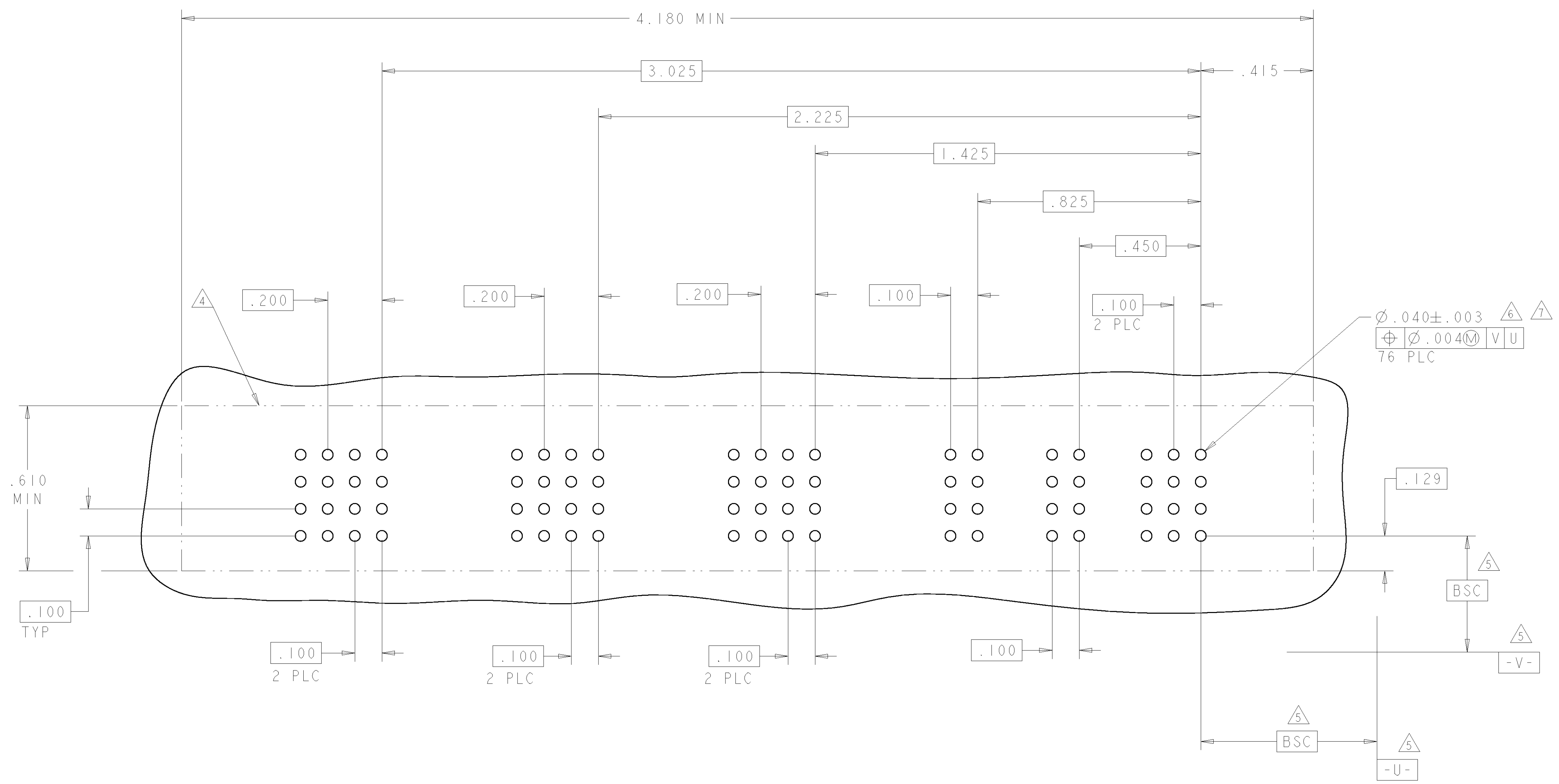
12S + IIP	1888120-1
DESCRIPTION	PART NUMBER

<small>THIS DRAWING IS UNPUBLISHED. RELEASED FOR PUBLICATION. IF IT IS CHANGED TO CHANGE THE DESIGN OR CONSTRUCTION ORGANIZATION SHOULD BE CONTACTED FOR THE LATEST POSITION.</small>		DWN R. GRZYBOWSKI 19SEP2005	tyco Tyco Electronics Harrisburg, PA 17105-3608	
DIMENSIONS: INCHES		TOLERANCES UNLESS OTHERWISE SPECIFIED: 0 PLC ±.1 1 PLC ±.01 2 PLC ±.01 3 PLC ±.005 4 PLC ±.002 ANGLES ±.02	ECH M. PERCHERKE 19SEP2005 APVD M. PERCHERKE 19SEP2005	NAME VERTICAL RECEPTACLE ASSEMBLY W/ GUIDES, PRESS FIT MULTI-BEAM XL
MATERIAL FINISH		PRODUCT SPEC 108-1973 APPLICATION SPEC 114-13038 WEIGHT CUSTOMER DRAWING	SIZE CAGE CODE DRAWING NO 114-13038 A100779C=1888120-1	RESTRICTED TO SCALE 4:1 SHEET 1 OF 2 REV 1

LOC	DIST	REVISIONS			
P	LTR	DESCRIPTION	DATE	DNW	APVD
-	-	SEE SHEET 1	-	-	-

PART NUMBER	ROWS	POWER										SIGNAL				
		P11	P10	P9	P8	P7	P6	P5	P4	P3	P2	P1	3	2	1	
1888120-1	D C B A	GS	GS		GS	GS		GS	GS		GS	GS	AP	AP	AP	
													AP	AP	AP	
														AP	AP	AP
														AP	AP	AP

NO CONTACTS LOADED



CODE	DESCRIPTION
GS	POWER CONTACT, STD
AP	SIGNAL CONTACT

CONTACT TABLE

DIMENSIONS: INCHES 		TOLERANCES UNLESS OTHERWISE SPECIFIED: 0 PLC ±.1 1 PLC ±.01 2 PLC ±.01 3 PLC ±.005 4 PLC ±.0020 ANGLES ±.02		DWN: R. GRZYBOWSKI 19SEP2005 ENR: M. PERCHERKE 19SEP2005 APVD: M. PERCHERKE 19SEP2005		Tyco Electronics Harrisburg, PA 17105-3608	
MATERIAL: - FINISH: -		WEIGHT: - CUSTOMER DRAWING		PRODUCT SPEC: APPLICATION SPEC: SIZE: A 00779 C=1888120-1 SCALE: 4:1 SHEET 2 OF 2 REV 1		NAME: VERTICAL RECEPTACLE ASSEMBLY W/ GUIDES, PRESS FIT MULTI-BEAM XL	

单击下面可查看定价，库存，交付和生命周期等信息

[>>TE Connectivity\(泰科\)](#)