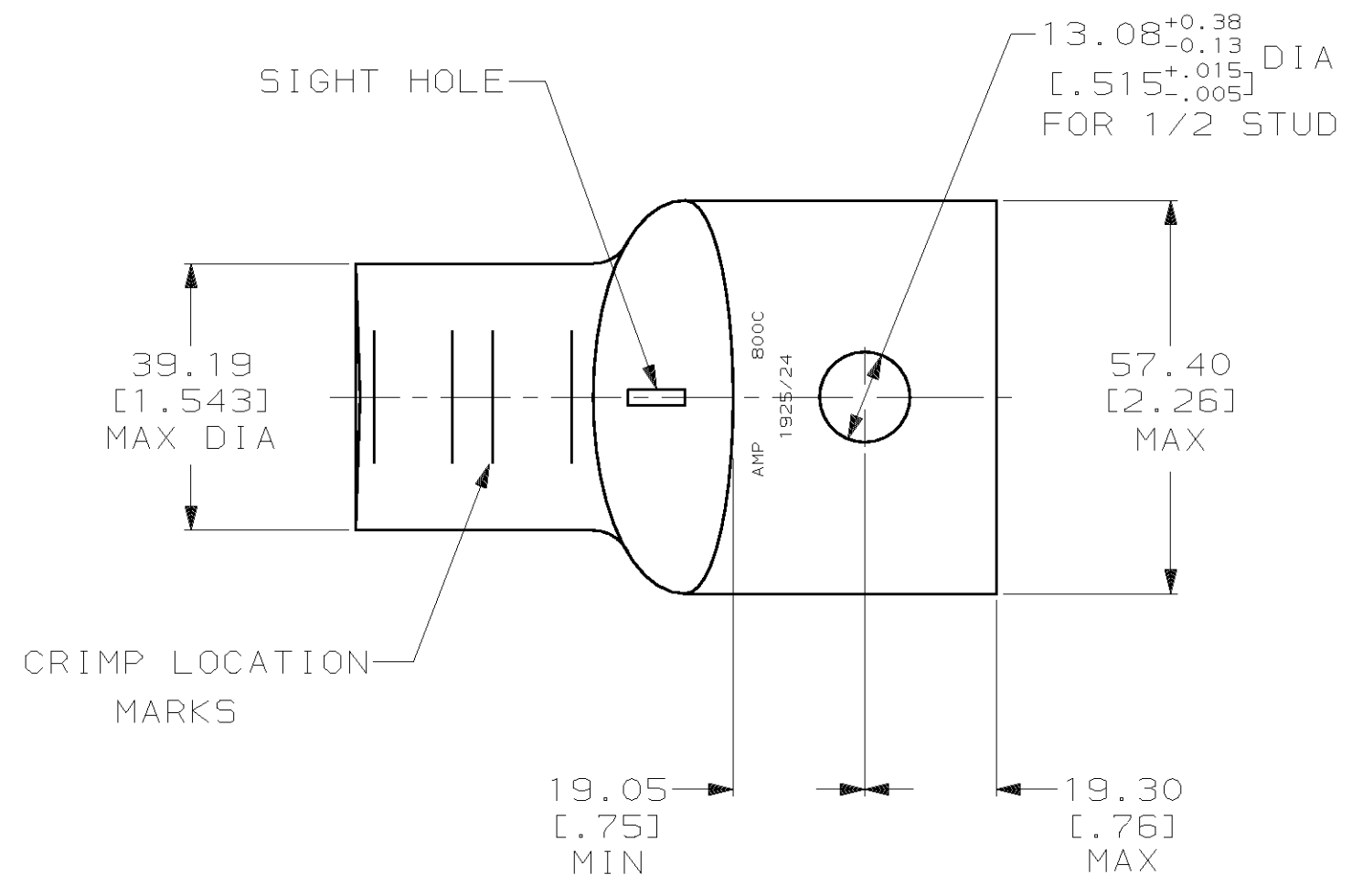
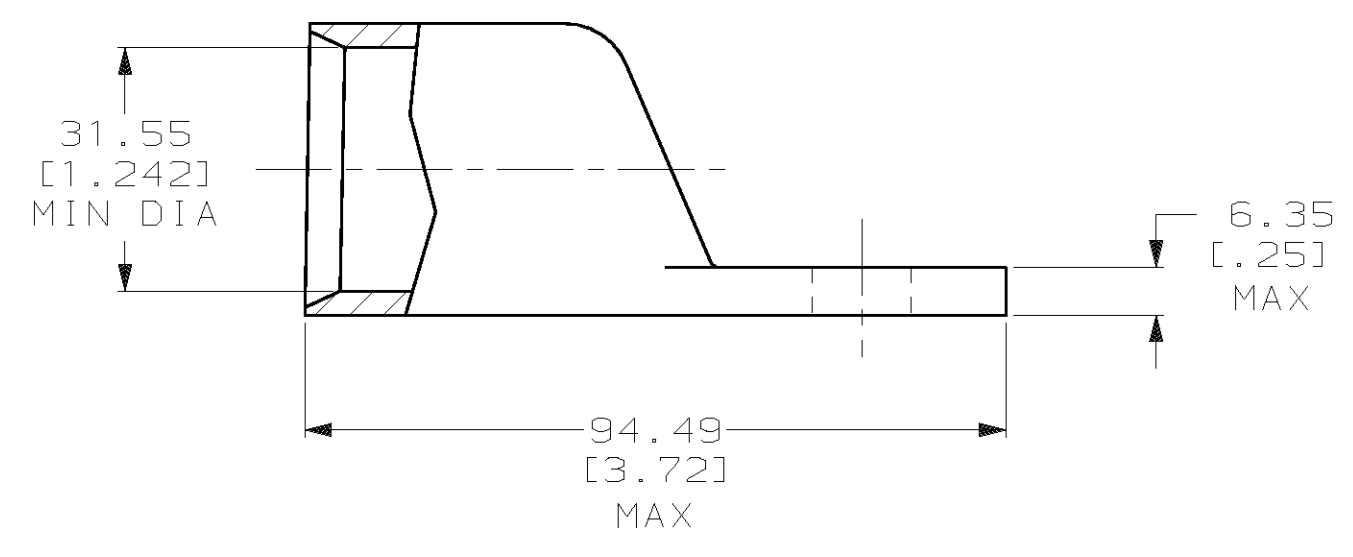


THIS DRAWING IS UNPUBLISHED. RELEASED FOR PUBLICATION .19 .  
 © COPYRIGHT 19 BY AMP INCORPORATED. ALL INTERNATIONAL RIGHTS RESERVED.

LOC		DIST		P		F		ZONE		LTR		REVISIONS		DATE	APPD
G		86												090CT02	JR MS
												K	REV PER 063A-0561-01		



- 1 CIRCULAR MIL RANGE: 750-850 MCM
- 2 TIN PL 0.00381 [.000150] MIN THK PER MIL-T-10727



**METRIC**

DO NOT SCALE PRINT. UNLESS SPECIFIED DIMENSIONS IN mm [INCHES] TOLERANCES ON : 2 PLC DEC ± 0.51 [.020] 3 PLC DEC ± - ANGLES ± -		DR 9/17/91 DK SCHRUM	AMP INCORPORATED Harrisburg, Pa. 17105	
MATERIAL  ANNEALED COPPER ASTM B-75		CHK 9/17/91 AJ KAUFMAN		
FINISH		APPD 9/18/91 WJ VOCKROTH	NAME  TERMINAL, AMPPOWER™ WIRE SIZE: 405.0mm <sup>2</sup> [800]MCM	
		APPD 9/18/91 AJ ADELMANN	PRODUCT SPEC -	DRAWING NO 326405
WEIGHT .593 LB		APPLICATION SPEC -	SCALE 1:1	SHEET 1 OF 1

326405

326405  
PART NO

单击下面可查看定价，库存，交付和生命周期等信息

[>>TE Connectivity\(泰科\)](#)