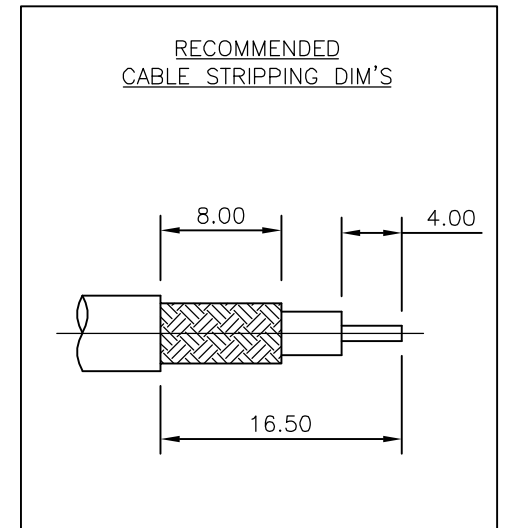
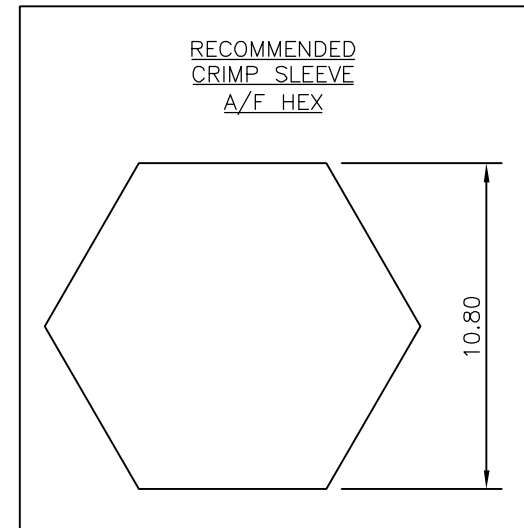
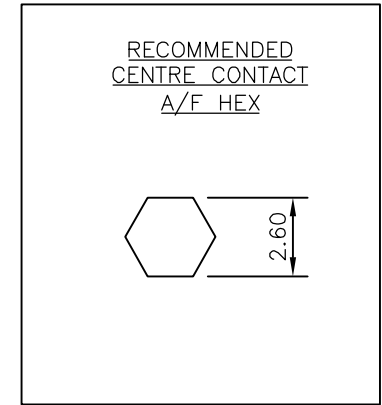
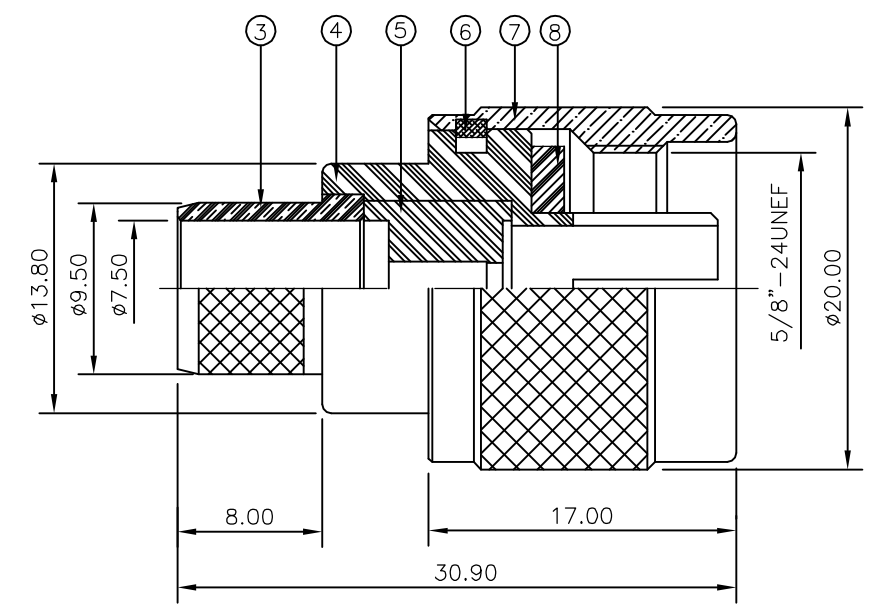
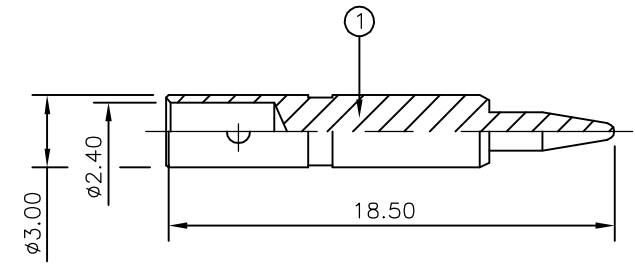
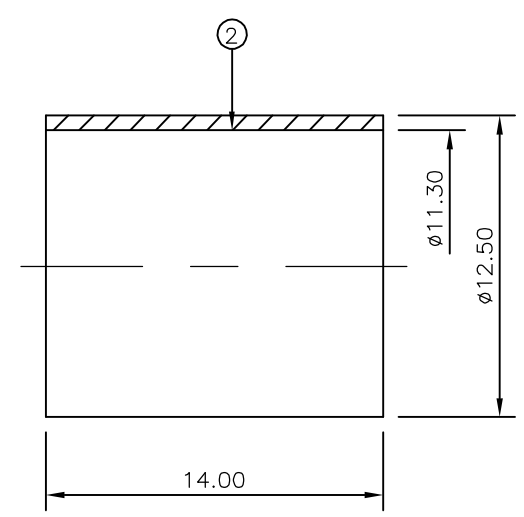


THIS DRAWING IS UNPUBLISHED. RELEASED FOR PUBLICATION SEP, 2005.  
 © COPYRIGHT 2005 BY TYCO ELECTRONICS CORPORATION. ALL RIGHTS RESERVED.

LOC	DIST	REVISIONS					
E	B	P	LTR	DESCRIPTION	DATE	DWN	APVD
		C		ECR-05-011509	21SEP05	JMS	FWK

- NOTES:
- 1. PACK IN ACCORDANCE WITH AMP SPEC 107-3275
  - 2. 100 TRAY PACK IN ACCORDANCE WITH AMP SPEC 107-3275
  - 3. Ag PLATING
  - 4. THIS ITEM MUST BE WHITE
  - 5. HAND TOOL: 9-478240-0
  - 6. DIE SET: 9-1478246-0
  - 7. ELECTRICAL CHARACTERISTICS  
 FREQUENCY RANGE: DC - 11 GHz  
 NOMINAL IMPEDANCE: 50 Ohm  
 INSULATION RESISTANCE: 5000 MOhm  
 WORKING VOLTAGE: 1000 Volts RMS at Sea Level  
 DIELECTRIC WITHSTAND VOLTAGE: 2500 Volts RMS Max  
 CONTACT RESISTANCE:  
 CENTRE CONTACT: 1.00 mOhm Max  
 OUTER CONTACT: 1.00 mOhm Max  
 VSWR @ 4GHz: 1.30:1 Max  
 INSERTION LOSS dB @ x 4 GHz: 0.30 Max
  - 8. MECHANICAL CHARACTERISTICS  
 COUPLING NUT RETENTION FORCE: 445N Min  
 CABLE RETENTION FORCE: 350N Min  
 DURABILITY: 500 Cycles Min
  - 9. ENVIRONMENTAL CHARACTERISTICS  
 OPERATING TEMPERATURE: -65 to +165 DegC



QTY	QTY PER ASSY	MATERIAL	DESCRIPTION	ITEM
1	1	SILICON RUBBER	GASKET	8
1	1	BRASS	SHELL	7
1	1	BRASS	CIRCLIP	6
1	1	PTFE	INSULATION	5
1	1	BRASS	BODY	4
1	1	BRASS	CHASSIS	3
1	1	BRASS	FERRULE	2
1	1	BRASS	CONTACT	1
6--0	1--0		MATERIAL	DESCRIPTION
				ITEM

THIS DRAWING IS A CONTROLLED DOCUMENT.

DIMENSIONS: mm	TOLERANCES UNLESS OTHERWISE SPECIFIED:	DWN J.SANDWELL 21SEP05	Tyco Electronics Corporation Bideford EX39 4HE
	0 PLC ± -	CHK S.PARLOW 21SEP05	
	1 PLC ± -	APVD F.WHEELER-KING 21SEP05	
	2 PLC ± -	PRODUCT SPEC 108-3435	
	3 PLC ± -	APPLICATION SPEC 411-3247	NAME TYPE-N STRAIGHT PLUG CRIMP 50 OHM RG9B/U, 214/U, URM 91, KX13, KX24
	4 PLC ± -	WEIGHT -	SIZE A3 CAGE CODE 00779 DRAWING NO C-1337415 RESTRICTED TO -
MATERIAL SEE TABLE	FINISH SEE TABLE	CUSTOMER DRAWING	SCALE NTS SHEET 1 OF 1 REV C

单击下面可查看定价，库存，交付和生命周期等信息

[>>TE Connectivity\(泰科\)](#)