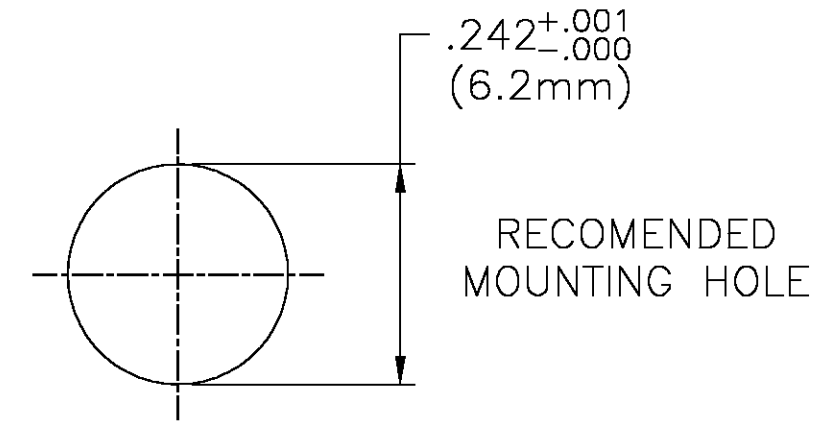
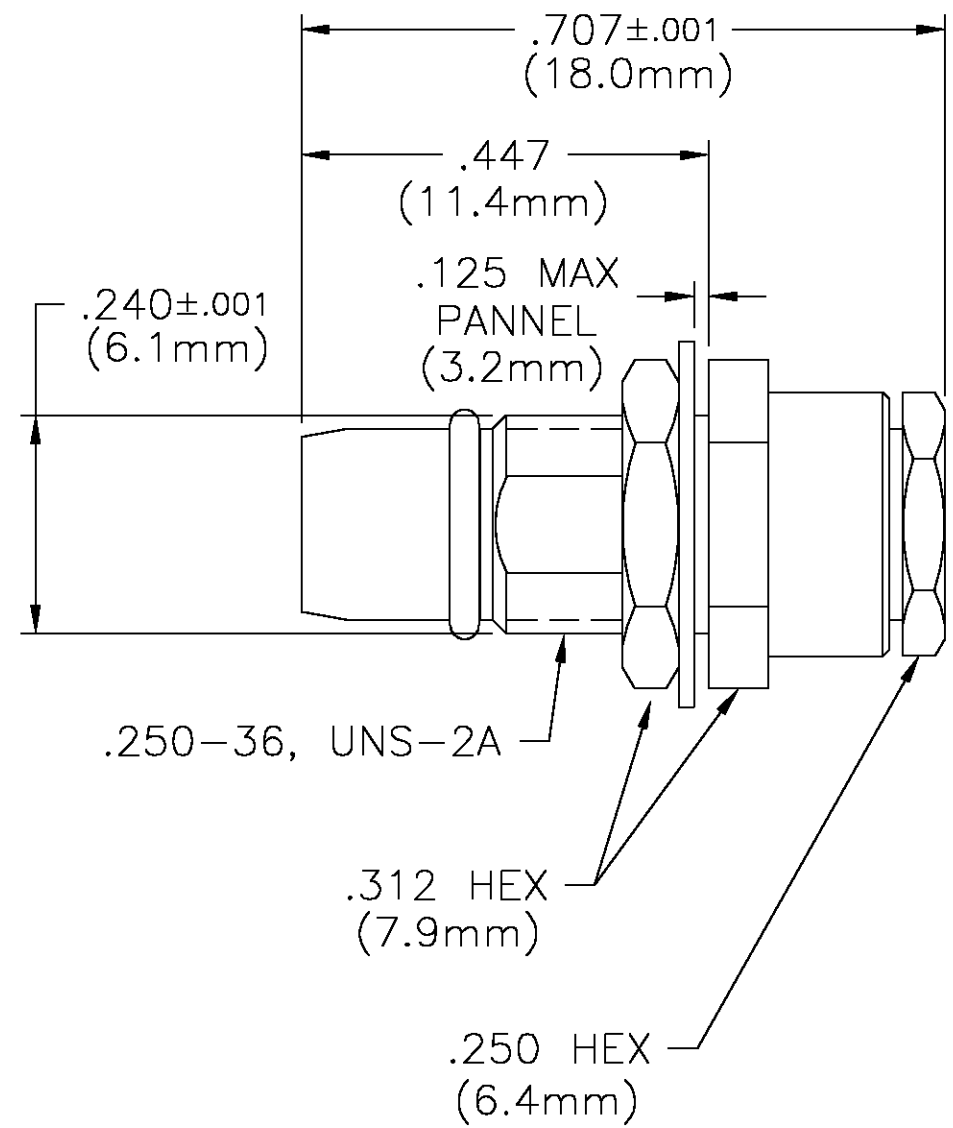


THIS DRAWING IS UNPUBLISHED. RELEASED FOR PUBLICATION
 © COPYRIGHT BY TYCO ELECTRONICS CORPORATION. ALL RIGHTS RESERVED.

LOC	DIST	REVISIONS					
HC	00	P	LTR	DESCRIPTION	DATE	DWN	APVD
			B	REV PER 0U20-0262-01	28FEB03	GV	JGH



HOUSING CLAMP NUT MOUNTING NUT WASHER	STAINLESS STEEL PER ASTM-A484 AND ASTM- A582, TYPE 303	PASSIVATE PER QQ-P-35
DIELECTRIC	TFE FLUOROCARBON PER MIL-P-19458 AND FED SPEC L-P-403	N/A
CENTER CONTACT	BRASS PER ASTM-B-16 HALF HARD	GOLD PLATE PER MIL-G-45204
LOCK WASHER	ST. STEEL PER QQ-S-763 TYPE 302	PASSIVATE PER QQ-P-35
SLEEVE	BRASS PER QQ-B-626	GOLD PLATE PER MIL- G-45204 OVER COPPER PLATE PER MIL-C-14550
O-RING	FLOUROSILICONE PER MIL- R-25988, CLASSI, TYPE I.	N/A

COMPONENT	MATERIAL	FINISH
-----------	----------	--------

- NOTES:
- DESIGNED FOR USE WITH .047 DIA SEMI RIGID CABLE
 - CAPTURED CENTER CONTACT

THIS DRAWING IS A CONTROLLED DOCUMENT.		DWN G. VIERA 27FEB03	tyco Electronics		Tyco Electronics Corporation Harrisburg, PA 17105-3608	
DIMENSIONS: INCHES		CHK J. HAVENER 28FEB03	NAME			
TOLERANCES UNLESS OTHERWISE SPECIFIED:		APVD J. HAVENER 28FEB03	OSP BULKHEAD FEED THRU CABLE PLUG SOLDER CLAMP ATTACHMENT			
0 PLC ± -		PRODUCT SPEC	SIZE	CAGE CODE	DRAWING NO	RESTRICTED TO
1 PLC ± -		APPLICATION SPEC	A3	00779	1059401-1	-
2 PLC ± -		WEIGHT	CUSTOMER DRAWING			
3 PLC ± -		FINISH	SCALE	SHEET	OF	REV
4 PLC ± -		63	5:1	1	1	B
ANGLES ± 1°						

单击下面可查看定价，库存，交付和生命周期等信息

[>>TE Connectivity\(泰科\)](#)