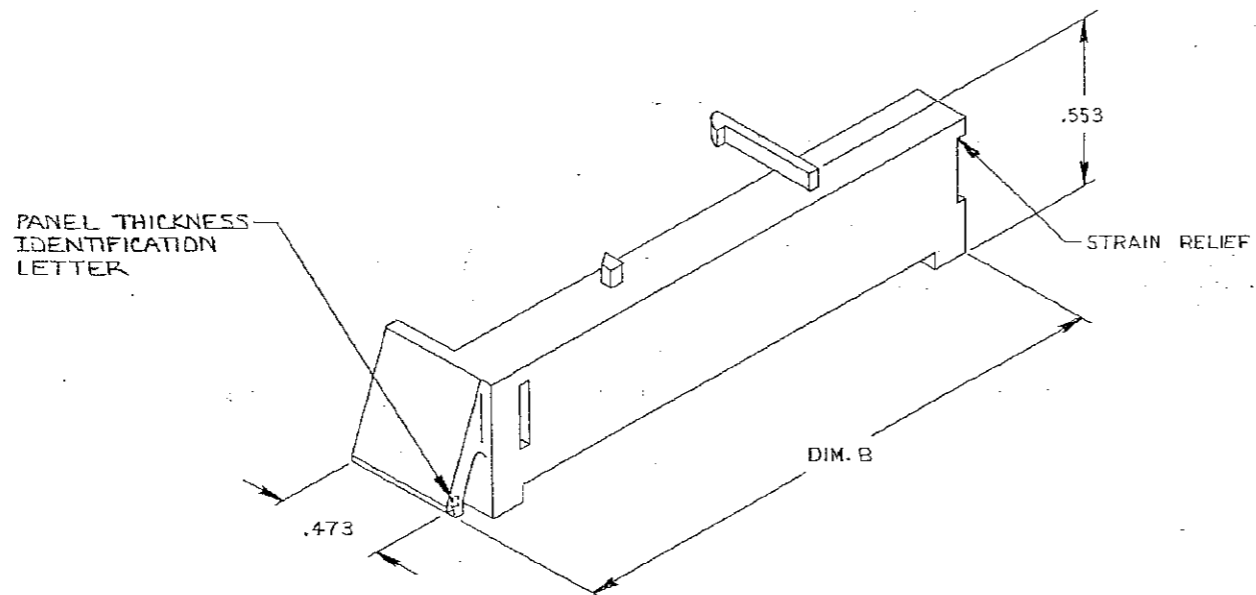


DRAWING MADE IN THIRD ANGLE PROJECTION

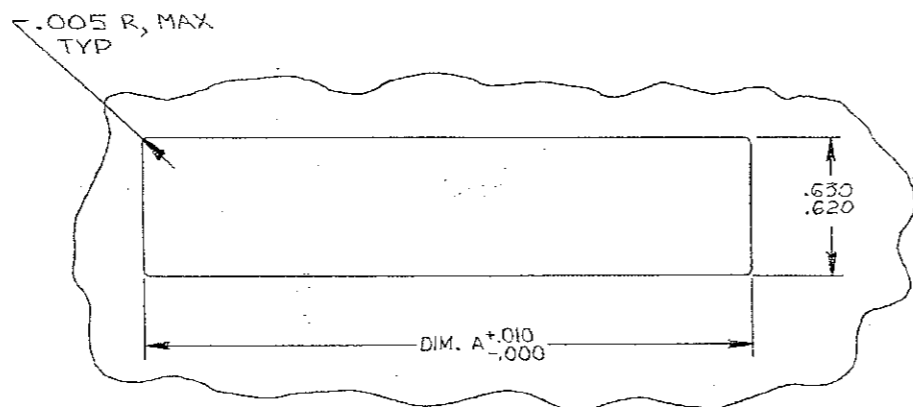
© COPYRIGHT 1979 BY AMP INCORPORATED, HARRISBURG, PA.
ALL INTERNATIONAL RIGHTS RESERVED. AMP INCORPORATED PRODUCTS
COVERED BY U. S. AND FOREIGN PATENTS AND/OR PATENTS PENDING.

LOC DIST
AA 20

REVISIONS						
P	F	ZONE	LTR	DESCRIPTION	DATE	APPROVED
G				OBSOLETE -1; ECN AA-5942	11-18	<i>[Signature]</i>
H				OBSOLETE -10; 0515-0319-02	1-03	RM



- 1. MATL: THERMOPLASTIC (NORYL).
- 2. TWO STRAIN RELIEFS REQUIRED PER ASSEMBLY.
- 3. .928 MAX HEIGHT AFTER COVERS HAVE BEEN ASSEMBLED TO CONNECTOR.
- 4. UNLESS OTHERWISE SPECIFIED ALL DIMENSIONS ARE FOR REFERENCE ONLY.



SUGGESTED PANEL CUTOUT

	PANEL THICKNESS IDENTIFICATION LETTER	DIM. B	POSN	DIM. A	PANEL THICKNESS	COLOR	PART NO
OBSOLETE	B	1.407	24	1.575	.090	BLACK	1-552962-0
	B	2.512	50	2.700	.090	BLACK	552962-3

UNLESS OTHERWISE SPECIFIED DIMENSIONS ARE IN INCHES. TOLERANCES ON: DECIMALS ± #/100 ANGLES ± #/100	CONTRACT NO 4-2-79		AMP INCORPORATED Harrisburg, Pa.	
	DR <i>[Signature]</i>	NAME STRAIN RELIEF, SNAP-IN, CHAMP-LOK		
	MATERIAL 	CHK <i>[Signature]</i> 4/3/79	APPD <i>[Signature]</i> 4/1/79	
	FINISH 	APPD <i>[Signature]</i> 6/3/79	DSGN APPD	OTHER APPD
SIZE C		CODE IDENT NO 00779	DRAWING NO 552962	
SCALE 2-1		SHEET 1 OF 1		

WAS 1210-78-141

552962

单击下面可查看定价，库存，交付和生命周期等信息

[>>TE Connectivity\(泰科\)](#)