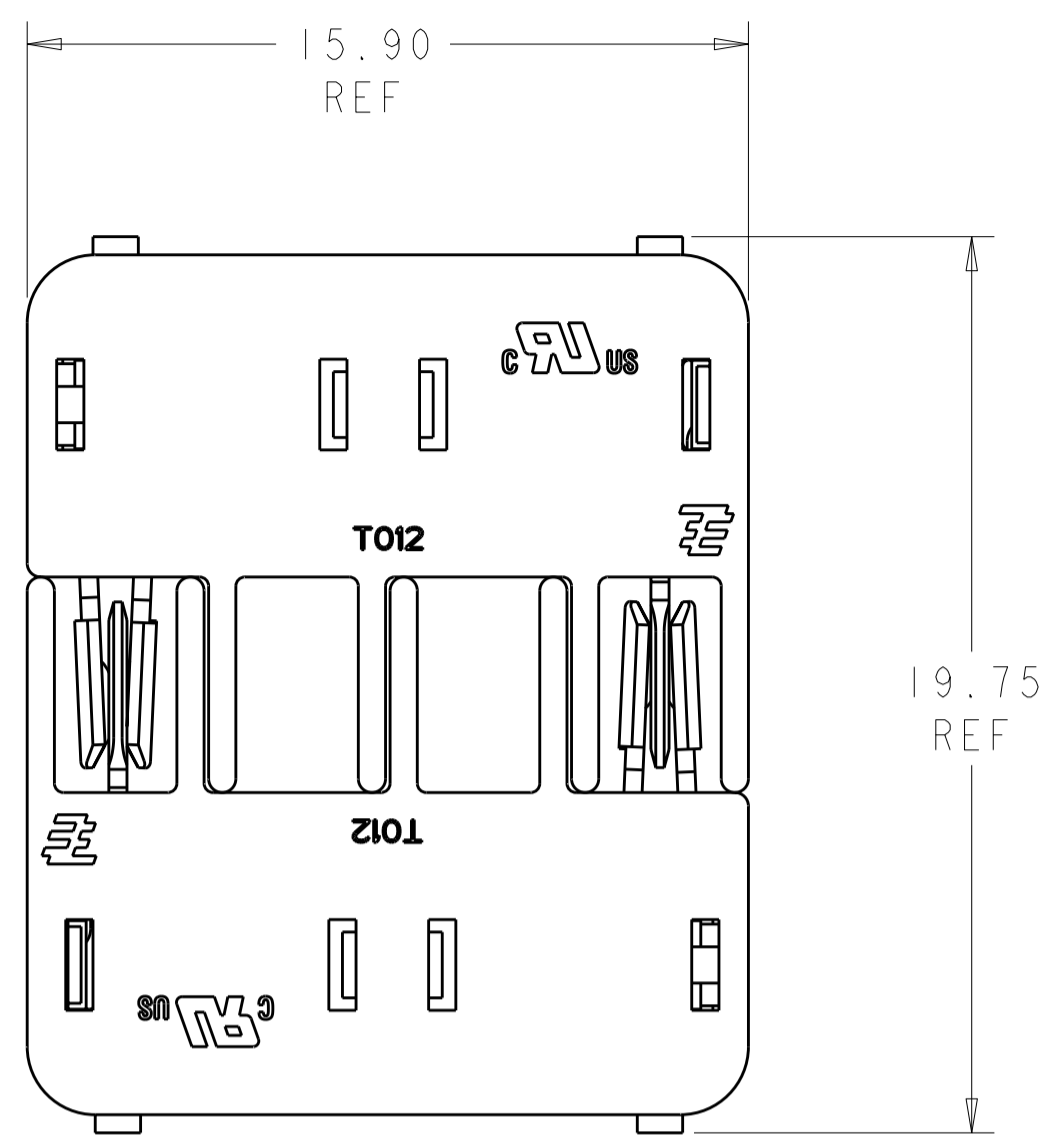
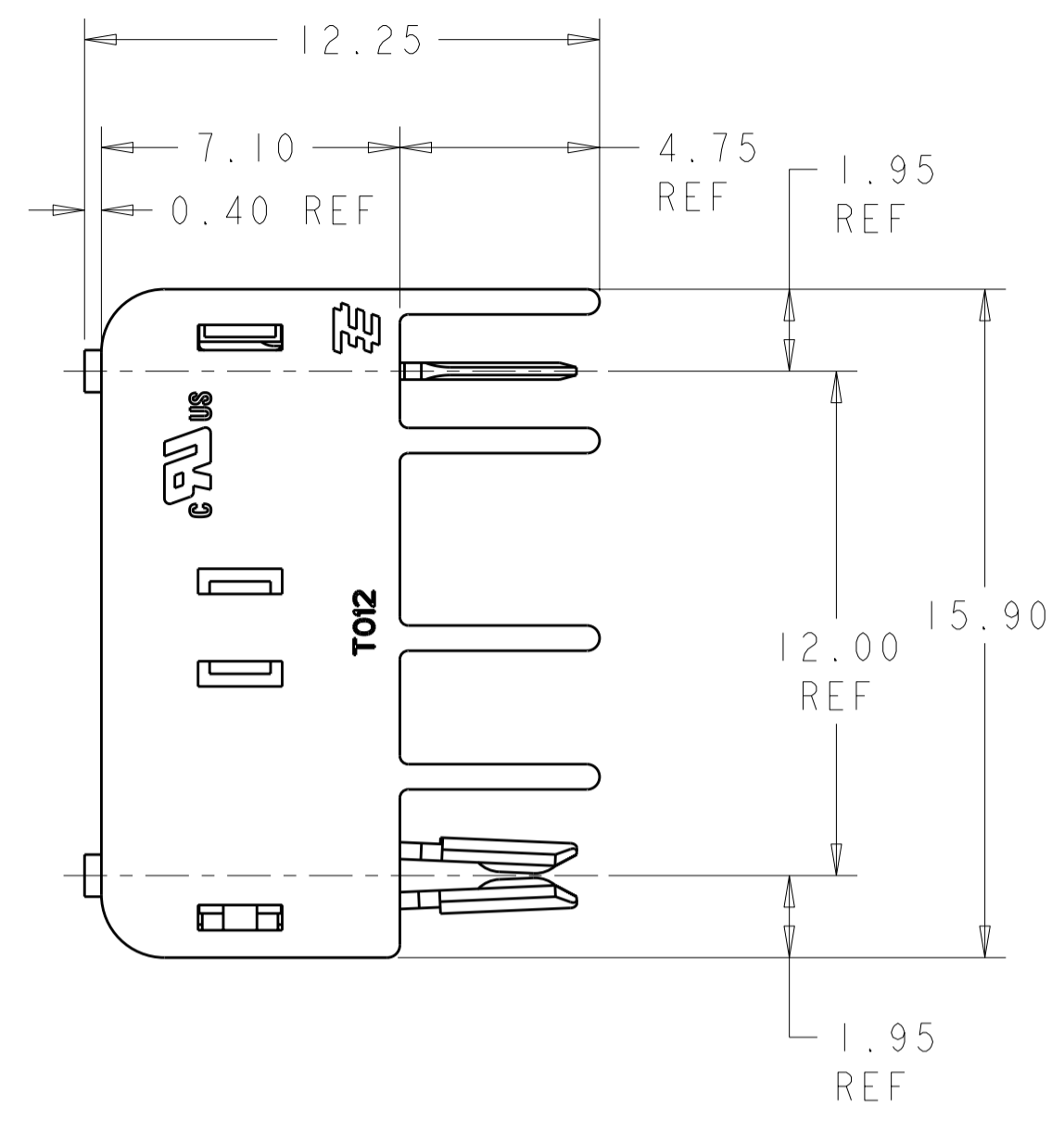


THIS DRAWING IS UNPUBLISHED. RELEASED FOR PUBLICATION 20  
 © COPYRIGHT 20 BY TYCO ELECTRONICS CORPORATION. ALL RIGHTS RESERVED.

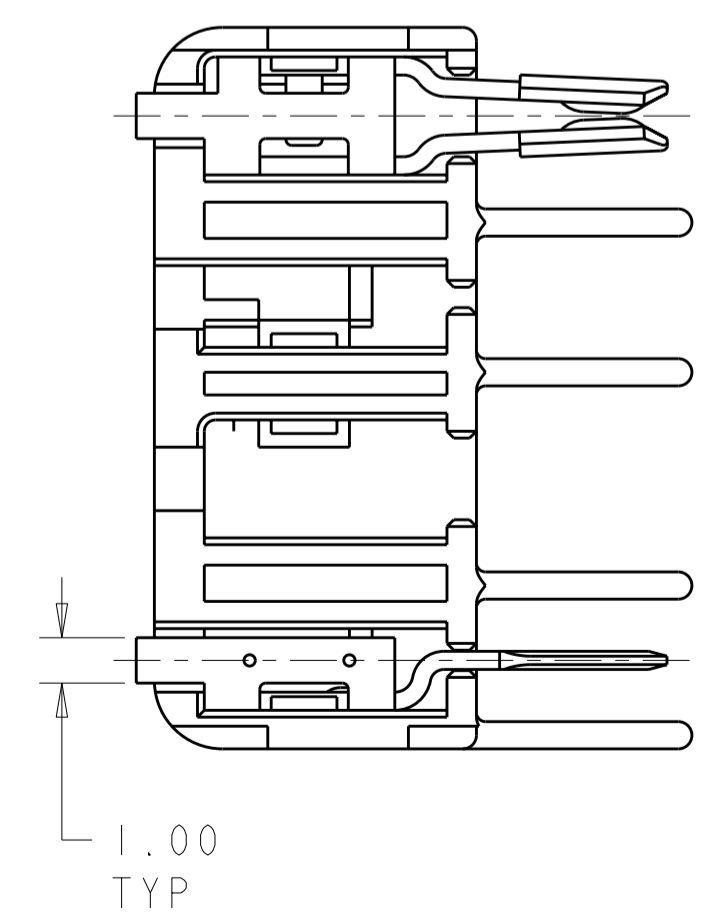
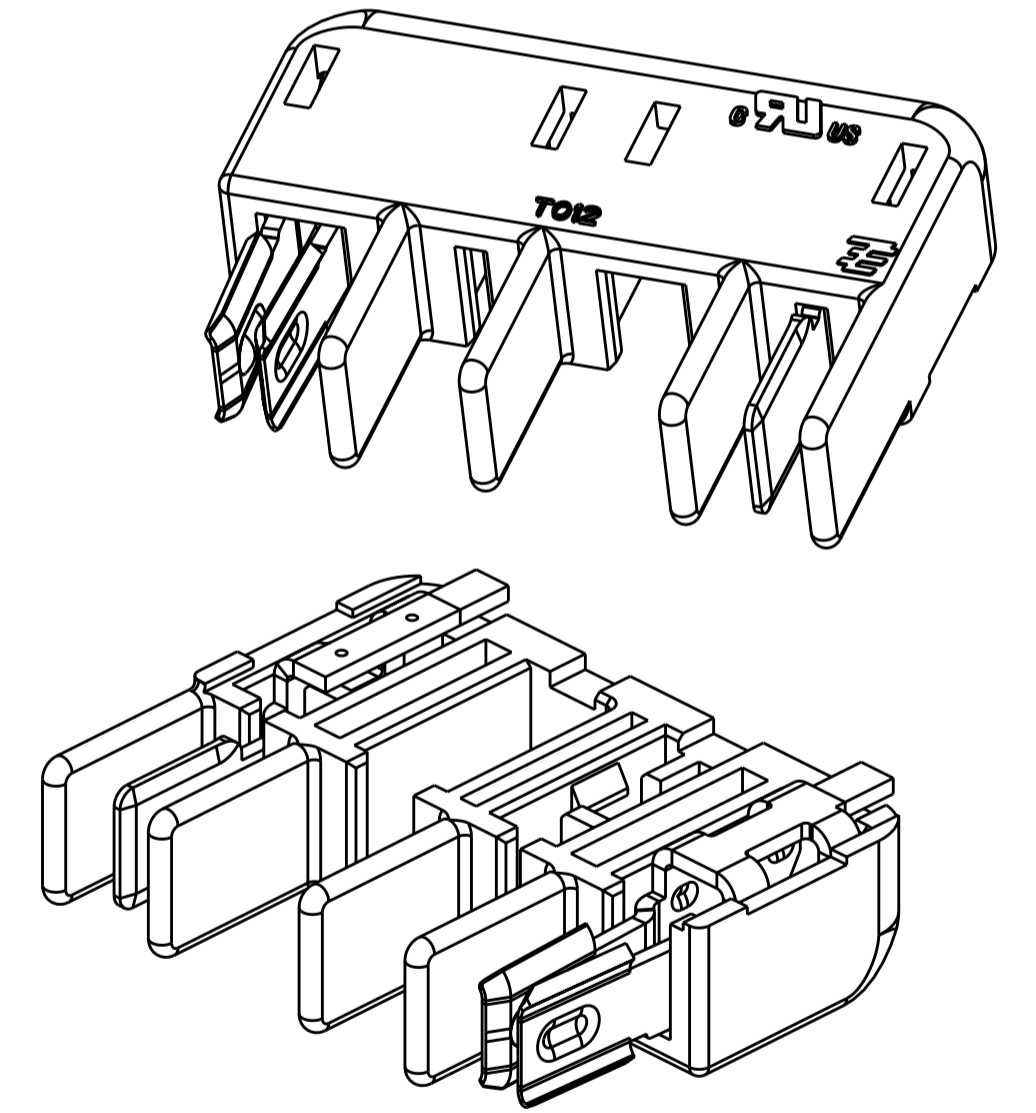
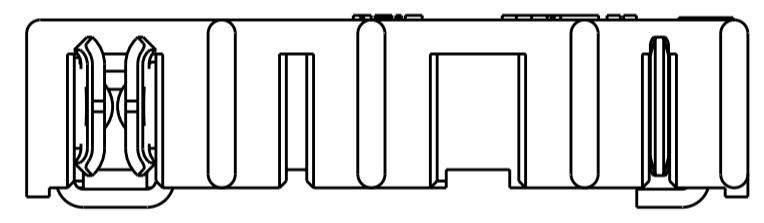
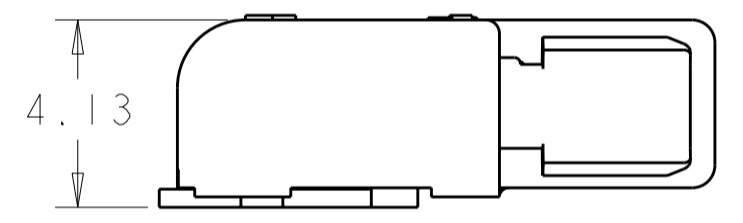
LOC		DIST		REVISIONS			
P	LTR	DESCRIPTION	DATE	DWN	APVD		
	5	UPDATED VIEWS, 4.13 DIM WAS 4.17	31MAR2010	RB	RN		



MATED PAIR SHOWN FOR REFERENCE

NOTES:

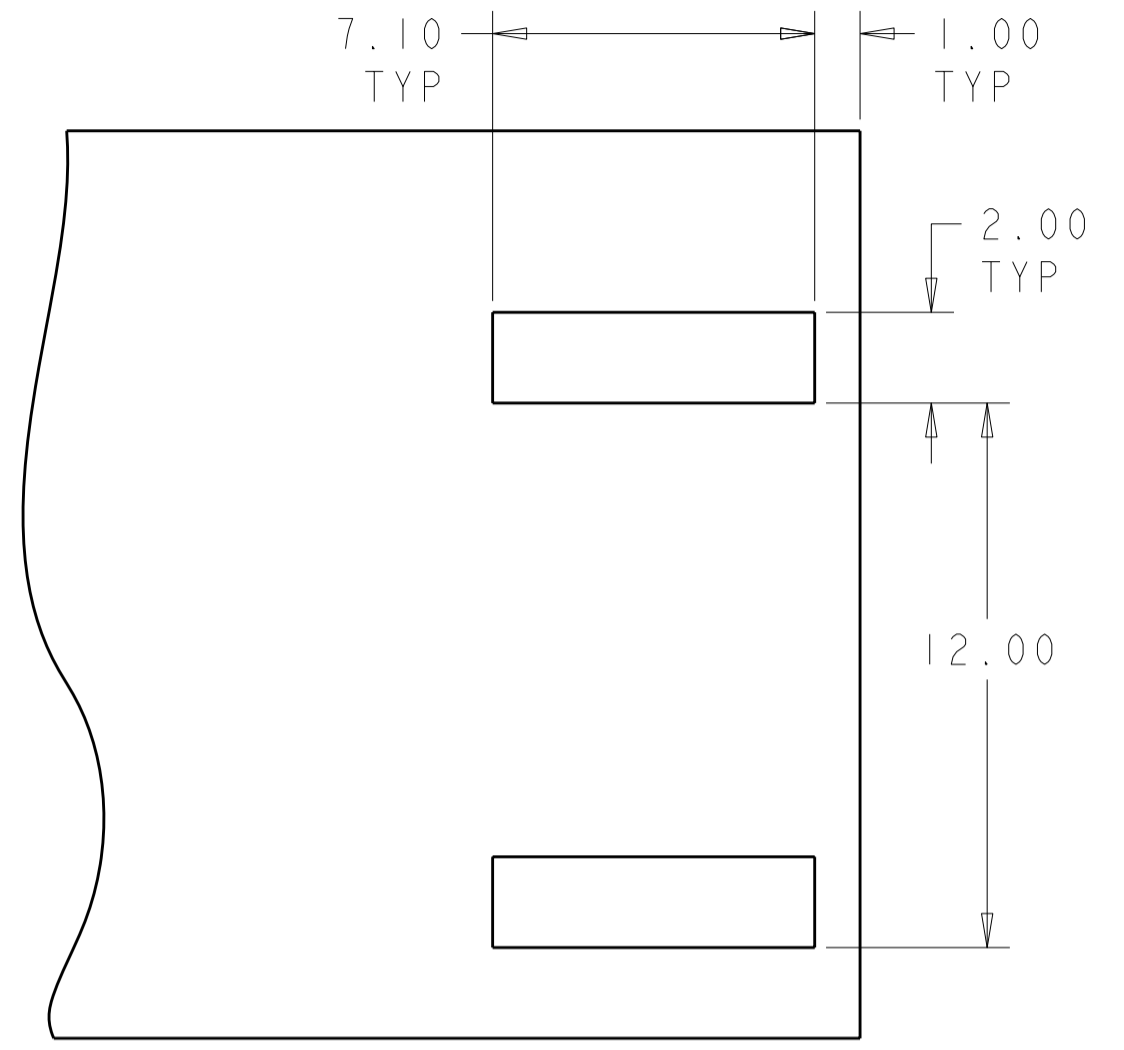
- 1. MATERIALS AND FINISH
  - HOUSING: LCP
  - CONTACTS: COPPER ALLOY, FINISH: TIN
- 2. PRODUCT TO COMPLY WITH DIRECTIVE 2002/95/EC (ROHS)
- 3. PACKAGED IN TAPE AND REEL PER EIA-481 SPECIFICATIONS



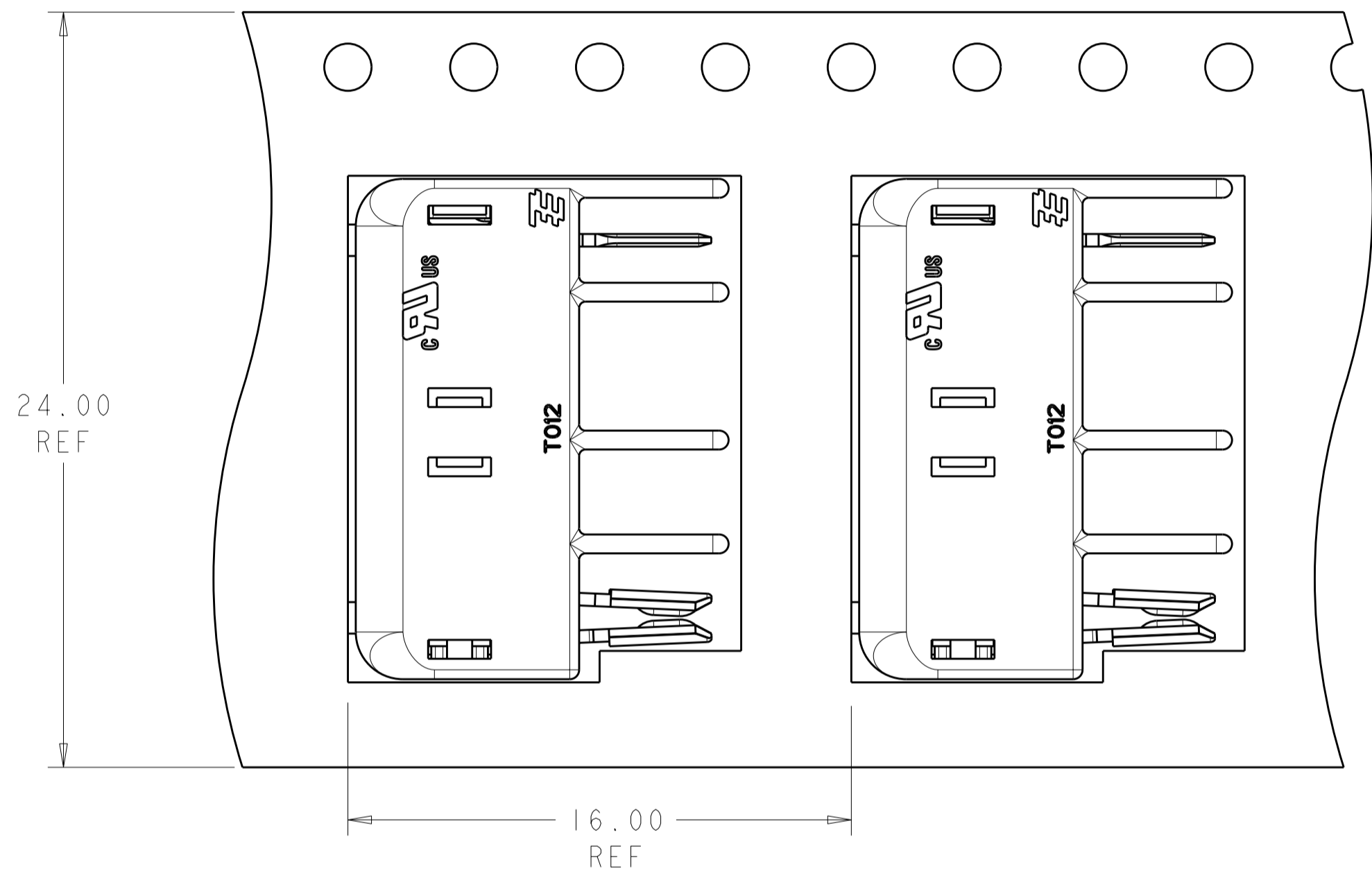
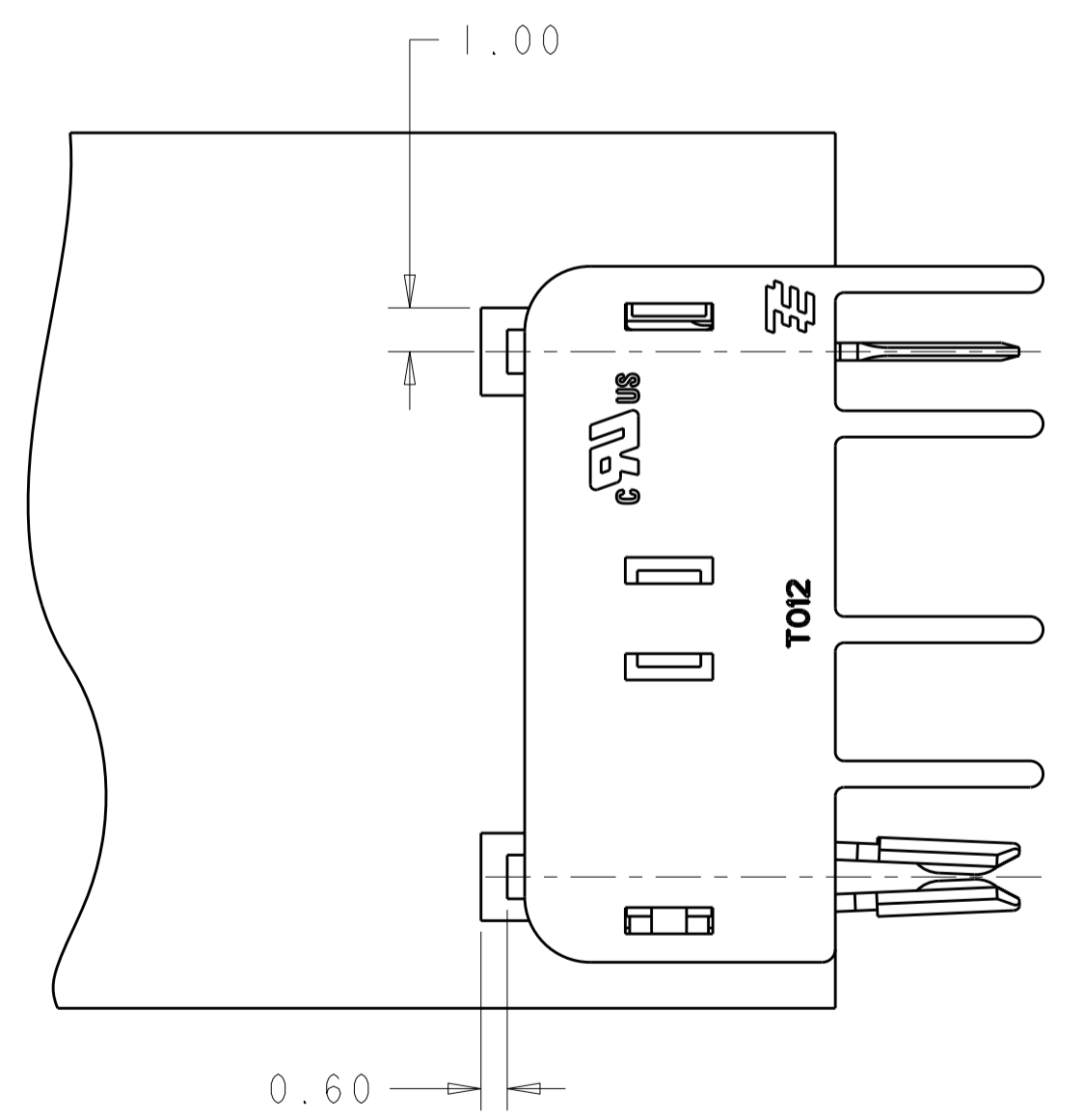
DESIGN APPROVED THIS PRINT IS  
**PRELIMINARY**  
 TO FIRST PIECE APPROVAL  
 CONTACT PRODUCT ENGINEERING  
 BEFORE USING THIS PRINT

THIS DRAWING IS A CONTROLLED DOCUMENT FOR TYCO ELECTRONICS CORPORATION IT IS SUBJECT TO CHANGE AND THE CONTROLLING ENGINEERING ORGANIZATION SHOULD BE CONTACTED FOR THE LATEST REVISION.		DWN S. FISHER 05NOV2008	Tyco Electronics Harrisburg, PA 17105-3608	
DIMENSIONS: mm		CHK R. NARANG 05NOV2008	NAME CONNECTOR ASSEMBLY, SELECT LOADING, HERMAPHRODITIC BLADE AND RECEPTACLE	
TOLERANCES UNLESS OTHERWISE SPECIFIED: 0 PLC ± 1 PLC ± 2 PLC ±0.13 3 PLC ±0.013 4 PLC ± ANGLES ±1.0 FINISH		APVD -	PRODUCT SPEC 108-2342	RESTRICTED TO -
MATERIAL		APPLICATION SPEC 114-13225	SIZE A200779	CAGE CODE C-2106004
		WEIGHT -	DRAWING NO -	SCALE 6:1
		CUSTOMER DRAWING	SHEET 1	OF 2
			REV 5	

LOC		DIST		REVISIONS			
P	LTR	DESCRIPTION	DATE	DWN	APVD		
-	-	SEE SHEET 1	-	-	-		



RECOMMENDED PCB LAYOUT



TO BE PACKAGED AS SHOWN

DESIGN APPROVED THIS PRINT IS  
**PRELIMINARY**  
 TO FIRST PIECE APPROVAL  
 CONTACT PRODUCT ENGINEERING  
 BEFORE USING THIS PRINT

DIMENSIONS:		TOLERANCES UNLESS OTHERWISE SPECIFIED:	
mm		0 PLC	±
		1 PLC	±
		2 PLC	±0.13
		3 PLC	±0.013
		4 PLC	±
		ANGLES	±1.0
		FINISH	

DWN	S. FISHER	05NOV2008	Tyco Electronics	
CHK	R. NARANG	05NOV2008	Harrisburg, PA 17105-3608	
APVD	-	-	NAME	
PRODUCT SPEC	-	-	CONNECTOR ASSEMBLY, SELECT LOADING, HERMAPHRODITIC BLADE AND RECEPTACLE	
APPLICATION SPEC	-	-	SIZE	RESTRICTED TO
WEIGHT	-	-	A200779	-
CUSTOMER DRAWING	SCALE 6:1	SHEET 2 OF 2	DRAWING NO C-2106004	REV 5

单击下面可查看定价，库存，交付和生命周期等信息

[>>TE Connectivity\(泰科\)](#)