

THIS DRAWING IS UNPUBLISHED.

RELEASED FOR PUBLICATION

ALL RIGHTS RESERVED.

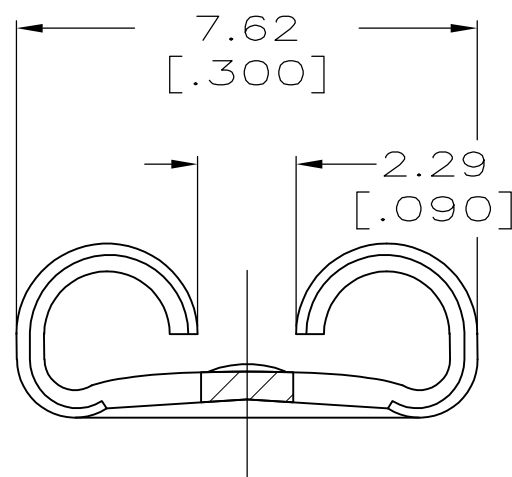
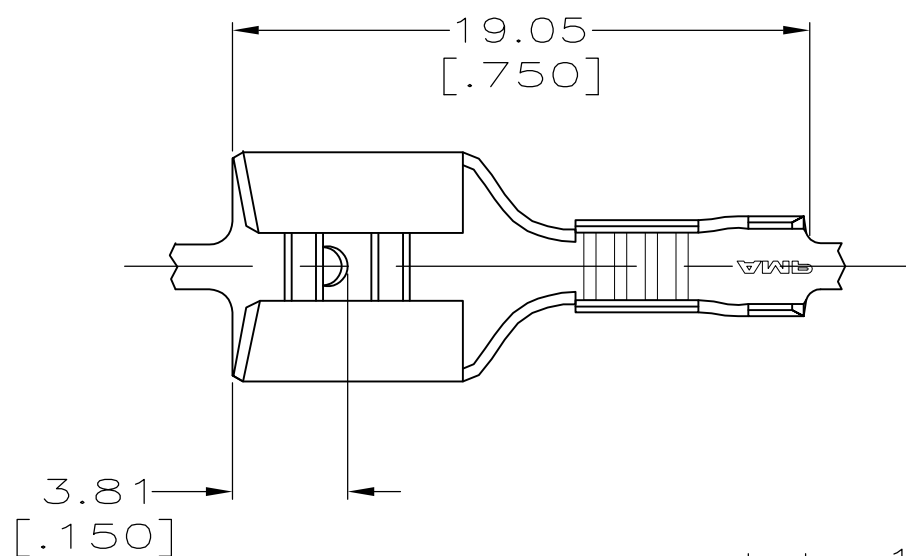
© COPYRIGHT - By -

LOC AF DIST 50

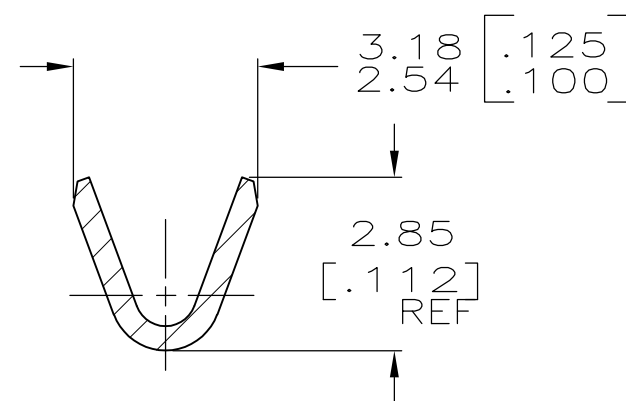
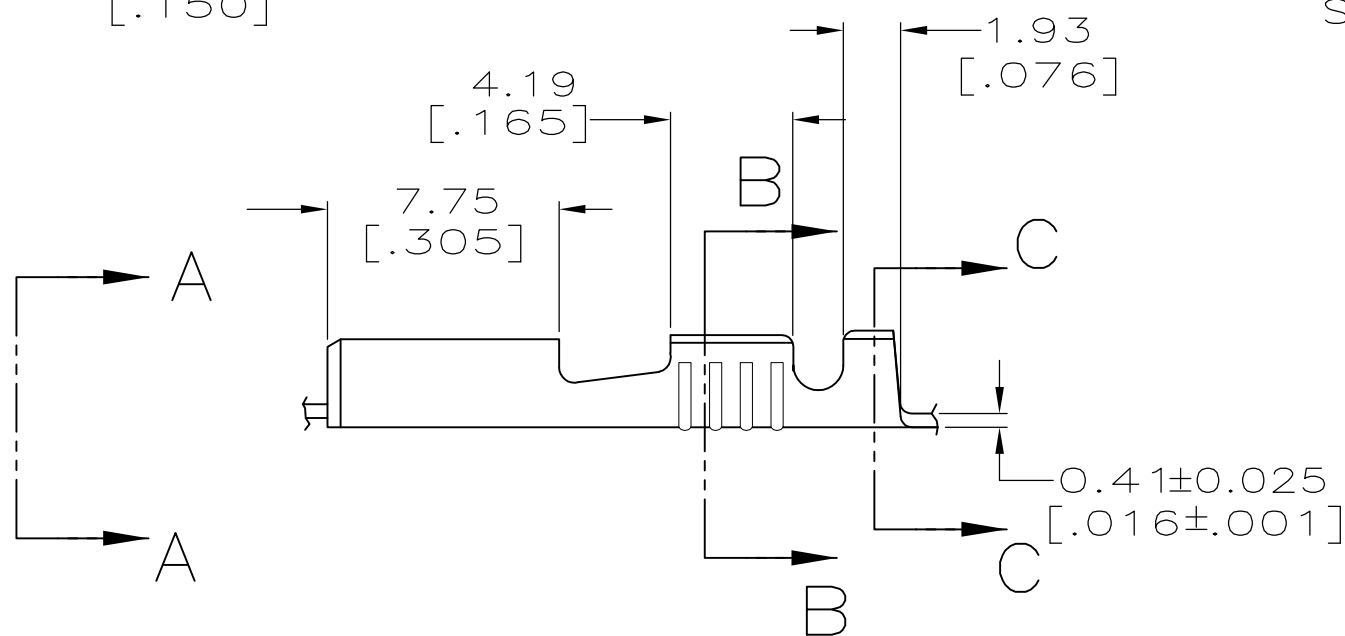
REVISIONS

P	LTR	DESCRIPTION	DATE	DWN	APVD
D		REVISED PER ECR-12-013459	27NOV2012	KH	PD

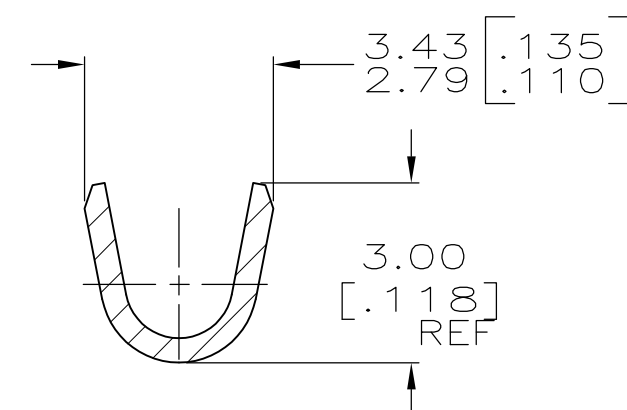
- 1 CONTINUOUS STRIP ON REELS.
- 2 WIRE SIZE IS [#22-#18] AWG.
- 3 INSULATION RANGE IS 1.52-2.54 [.060-.100] DIA.
- 4 MATING TAB IS 0.81±0.025[.032±.001].



VIEW A-A  
SCALE 8:1




SECTION B-B  
SCALE 8:1



SECTION C-C  
SCALE 8:1

62866-1  
PART NO.

THIS DRAWING IS A CONTROLLED DOCUMENT.		DWN JR RUTH 1/29/98	 <b>TE Connectivity</b> RECEPTACLE, FASTON, 6.35 [.250] SERIES					
DIMENSIONS: mm [INCHES]		CHK MS FEHER 1/29/98						
TOLERANCES UNLESS OTHERWISE SPECIFIED:		APVD J GILLESPIE 1/29/98						
0 PLC ± - 1 PLC ± - 2 PLC ± 0.38 [.015] 3 PLC ± - 4 PLC ± - ANGLES ± -		NAME						
MATERIAL BRASS		FINISH TIN	PRODUCT SPEC	SIZE	CAGE CODE	DRAWING NO	RESTRICTED TO	
			APPLICATION SPEC	A3	00779	C-62866	-	
			WEIGHT -	CUSTOMER DRAWING		SCALE 4:1	SHEET 1 OF 1	REV D

单击下面可查看定价，库存，交付和生命周期等信息

[>>TE Connectivity\(泰科\)](#)