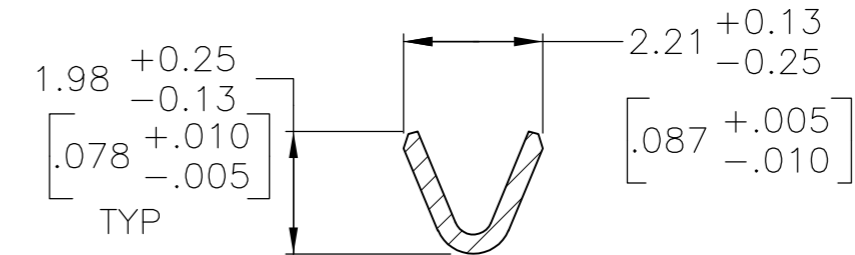
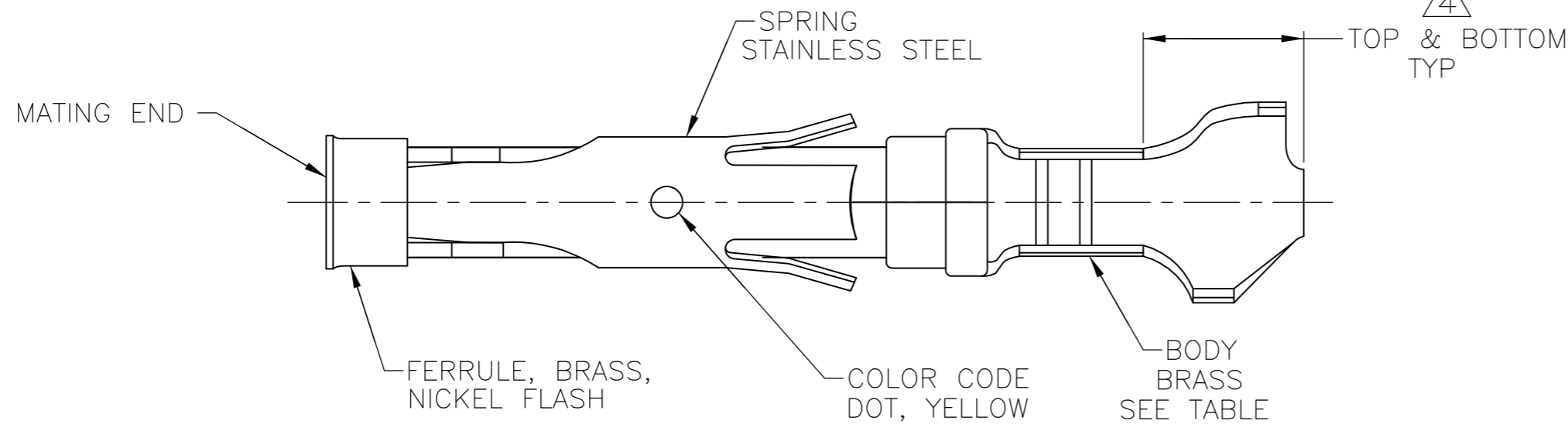
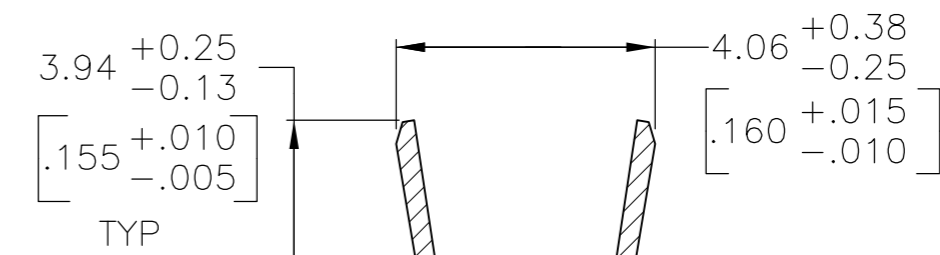


THIS DRAWING IS UNPUBLISHED. RELEASED FOR PUBLICATION  
 © COPYRIGHT - By - ALL RIGHTS RESERVED.

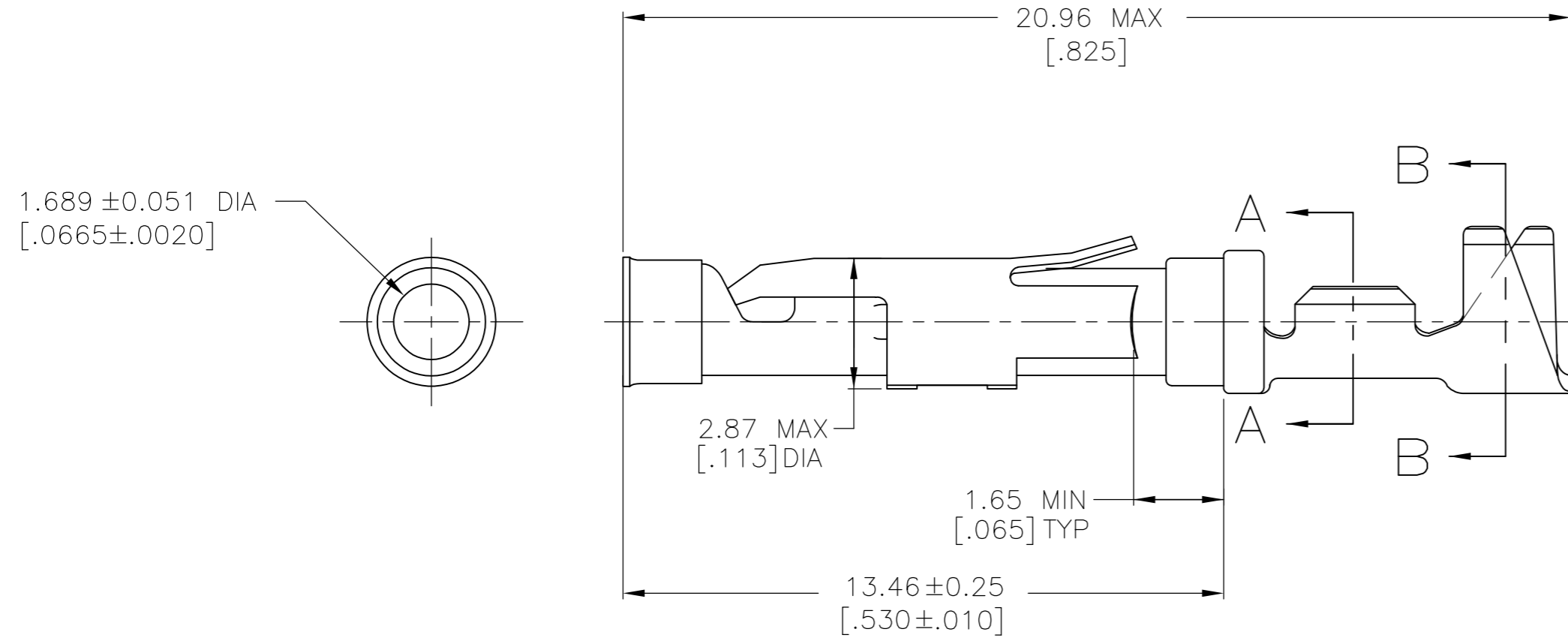
LOC	DIST	REVISIONS			
P	LTR	DESCRIPTION	DATE	DWN	APVD
FT	47	N1	REVISED PER ECO-14-001675	05FEB2014	NK MZ



SECTION A-A



SECTION B-B



- 1 0.76µm [.000030] MIN GOLD PER MIL-G-45204 ON MATING END FOR A LENGTH OF 5.08 [.200] MIN WITH 1.27µm [.000050] MIN MATTE TIN PLATE IN WIRE CRIMP AREA, BOTH OVER 0.76µm [.000030] MIN NICKEL PER QQ-N-290.
- 2 0.76µm [.000030] MIN GOLD PER MIL-G-45204 ON MATING END FOR A LENGTH OF 5.08 [.200] MIN WITH A UNIFORM GRADIENT TO 0.25µm [.000010] MIN GOLD PER MIL-G-45204 ON THE REMAINDER OVER 0.76µm [.000030] MIN NICKEL PER QQ-N-290.
- 3 0.38µm [.000015] MIN GOLD PER MIL-G-45204 ON MATING END FOR A LENGTH OF 5.08 [.200] MIN WITH 1.27µm [.000050] MIN MATTE TIN PLATE IN WIRE CRIMP AREA, BOTH OVER 0.76µm [.000030] MIN NICKEL PER QQ-N-290.
- 4 GOLD PLATING NEED NOT APPEAR IN THIS AREA.
- 5 1.27µm [.000050] MIN TIN-LEAD PER MIL-T-10727 OVER 0.76µm [.000030] MIN NICKEL PER QQ-N-290.
- 6 WIRE RANGE 24-20 AWG. INSULATION RANGE 1.52 [.060]-3.05 [.120].
- 7 0.38µm [.000015] MIN GOLD PER MIL-G-45204 ON MATING END FOR A LENGTH OF 5.08 [.200] MIN, 1.27µm [.000050] MIN TIN-LEAD PER MIL-T-10727 FOR A LENGTH OF 5.69 [.224] MIN ON OPPOSITE END, BOTH OVER 1.27µm [.000050] MIN NICKEL PER QQ-N-290 ON ENTIRE CONTACT.

- 8 1.27µm [.000050] MIN TIN PER MIL-T-10727 OVER 0.76µm [.000030] MIN NICKEL PER QQ-N-290.
- 9 OBSOLETE PARTS: OBSOLETE CIS STREAMLINING PER D.RENAUD/D.SINISI

PACKAGING TYPE	BODY FINISH	STRIP P/N REF	PART NO
STANDARD	8	1-66563-1	66565-7
OBsolete	1	66563-4	66565-6
OBsolete	7	1-66563-0	66565-5
STANDARD	1	66563-4	66565-4
STANDARD	3	66563-7	66565-3
STANDARD	5	66563-6	66565-2
STANDARD	2	66563-1	66565-1

THIS DRAWING IS A CONTROLLED DOCUMENT.		DWN	7-31-91		
DIMENSIONS: mm [INCHES]		CHK	9-19-91		
TOLERANCES UNLESS OTHERWISE SPECIFIED:		APVD	9-20-91	NAME	
0 PLC ± -		R.SHIREY		SOCKET ASSEMBLY, LOOSE PIECE, TYPE III+	
1 PLC ± -		R.STONE		RESTRICTED TO	
2 PLC ± 0.13 [.005]		J.WESTMAN		SIZE	CAGE CODE
3 PLC ± -		PRODUCT SPEC		A2	00779
4 PLC ± -		APPLICATION SPEC		DRAWING NO	SCALE
ANGLES ± -		WEIGHT		8:1	SHEET
FINISH		CUSTOMER DRAWING		1 of 1	REV
SEE CALLOUTS		SEE CALLOUTS		N1	

单击下面可查看定价，库存，交付和生命周期等信息

[>>TE Connectivity\(泰科\)](#)