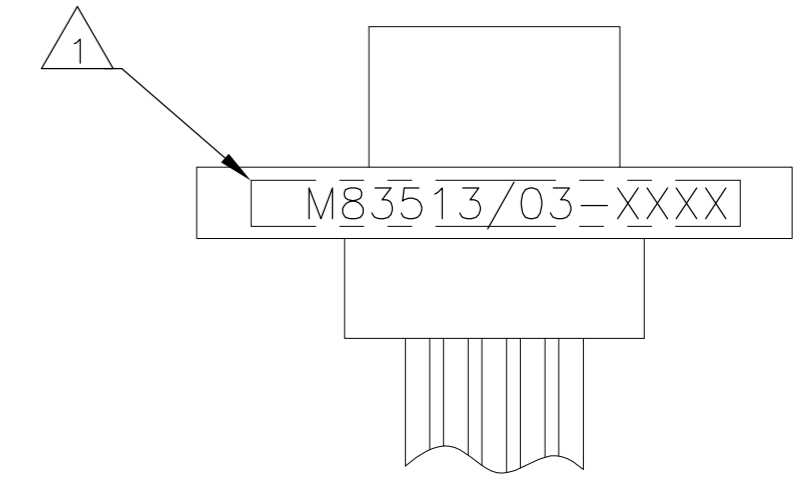
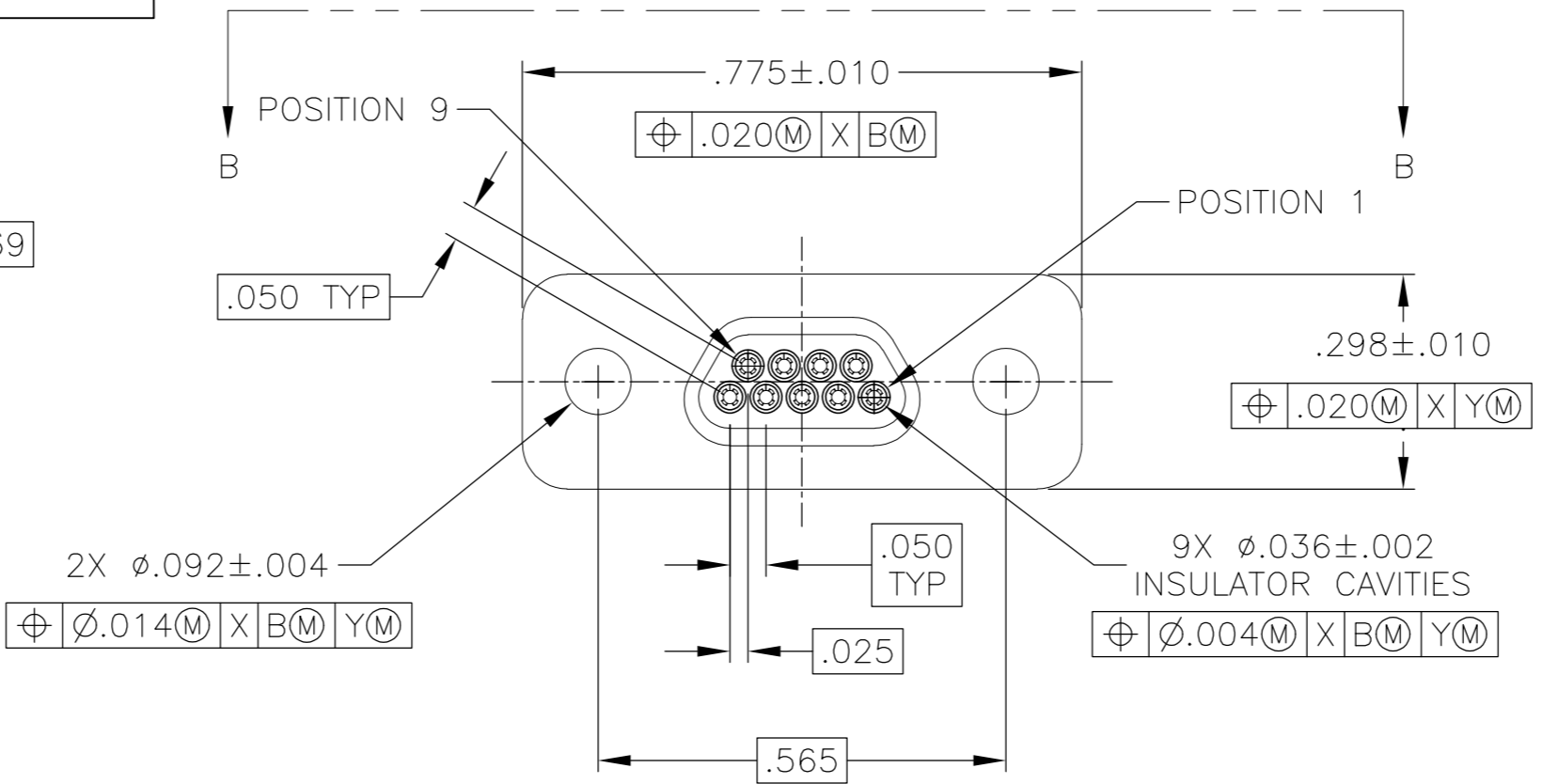


THIS DRAWING IS UNPUBLISHED. RELEASED FOR PUBLICATION
 © COPYRIGHT BY TYCO ELECTRONICS CORPORATION. ALL INTERNATIONAL RIGHTS RESERVED.

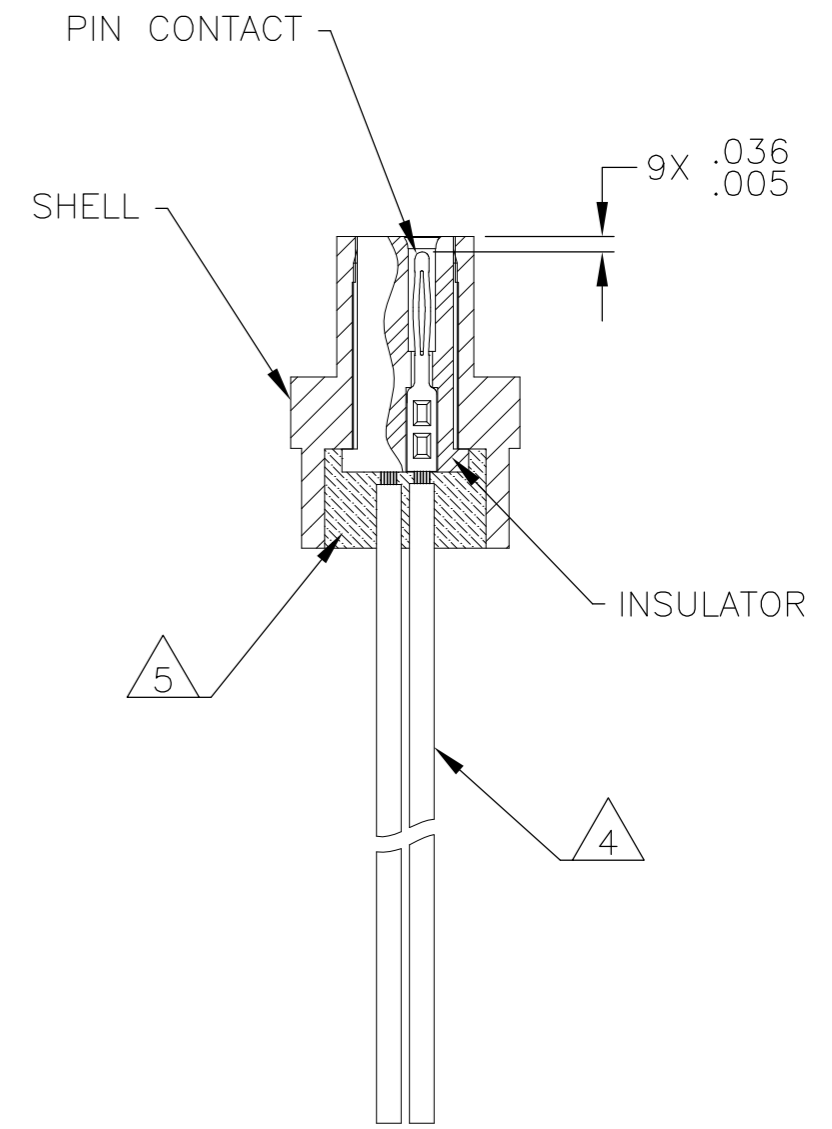
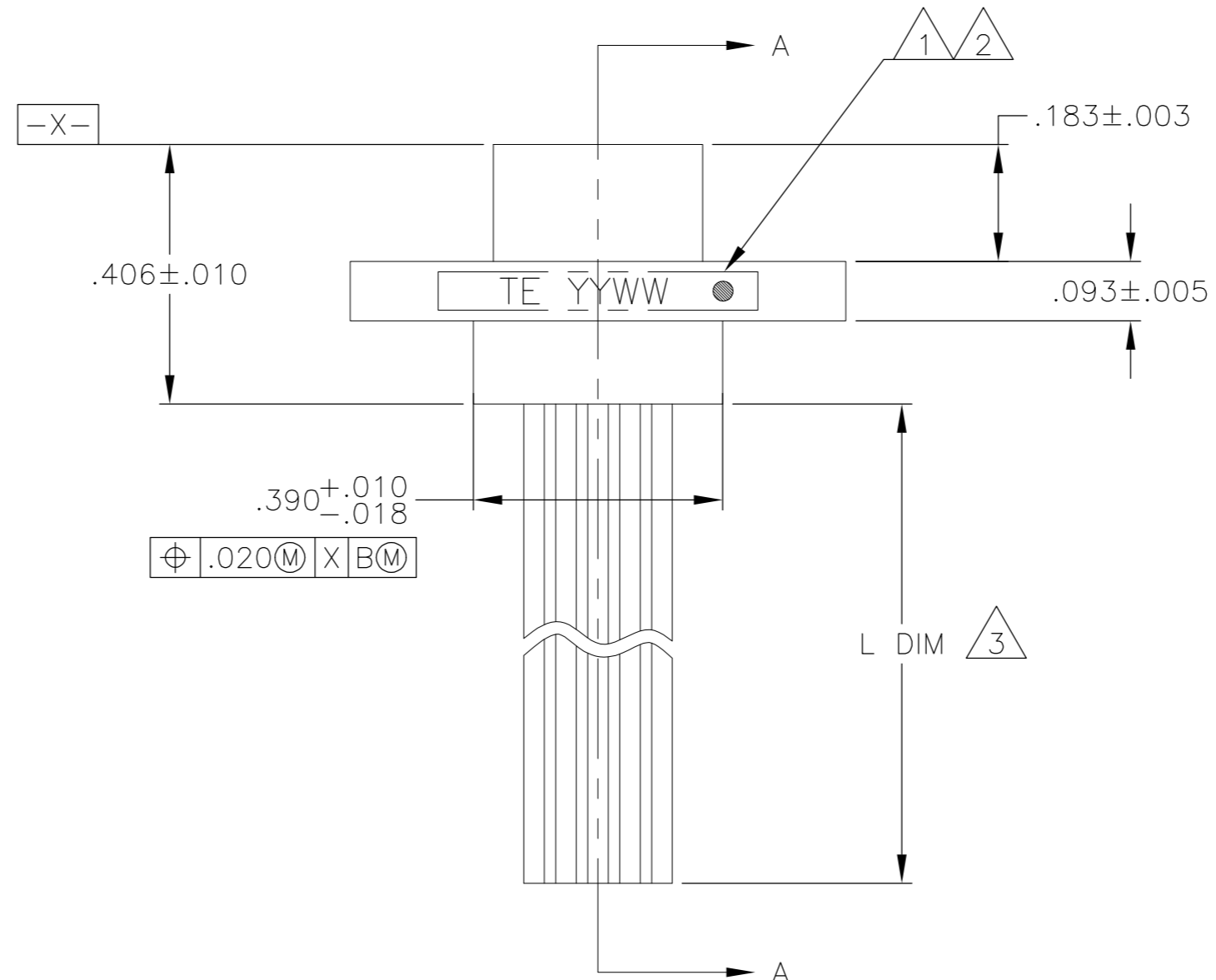
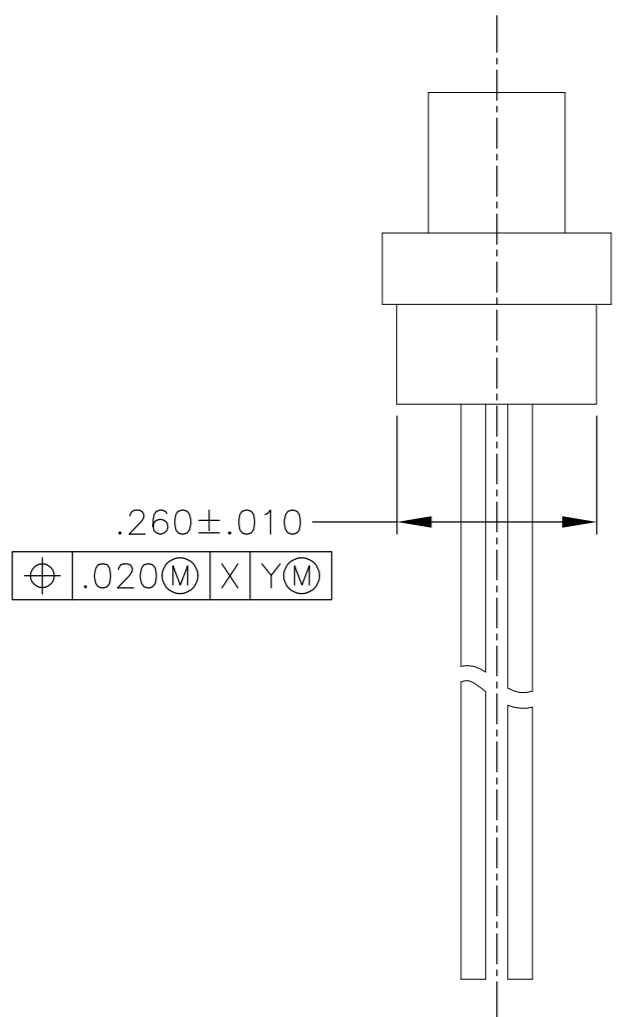
LOC	DIST	REVISIONS			
P	LTR	DESCRIPTION	DATE	DWN	APVD
A		PRODUCTION RELEASE	03 SEP 08	BJR	MKS



INTERFACE DETAIL



VIEW B-B



SECTION A-A


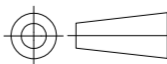
- 1 CONNECTOR SHALL BE MARKED IN ACCORDANCE WITH METHOD 1 OF MIL-STD-1285. MARKING SHALL CONTAIN THE MILITARY PIN, CAGE CODE (OR TE), AND DATE CODE. EXAMPLE: M83513/03-XXXX TE YYWW (WHERE XXXX IS PART OF THE PIN SHOWN IN THE "MIL-DTL-83513" COLUMN OF THE PART NUMBER TABLE, AND YYWW IS THE DATE CODE). FOR THE SIZE 9 PLUG, THE MARKING MUST BE PRINTED ON BOTH SIDES OF THE FLANGE. TEXT HEIGHT SHALL BE .035 INCH MINIMUM.
- 2 POSITION 1 SHALL BE INDICATED BY AN IDENTIFIABLE MARK, LOCATED APPROXIMATELY AS SHOWN ON THE POSITION 1 SIDE OF THE CONNECTOR FLANGE. THIS MARK SHALL BE INCLUDED AS PART OF THE PART MARKING INFORMATION.
- 3 LENGTH IS SHOWN IN THE "L DIM" COLUMN OF THE PART NUMBER TABLE. LENGTH TOLERANCE IS +1.0/-0.0 FOR INSULATED WIRE TERMINATIONS, AND +0.20/-0.00 FOR UNINSULATED WIRE TERMINATIONS
- 4 INSULATED WIRE IS SHOWN FOR REFERENCE ONLY. PART MAY BE TERMINATED WITH INSULATED OR UNINSULATED WIRE ACCORDING TO THE PART NUMBER TABLE.
- 5 EPOXY ENCAPSULATION. EPOXY MAY WICK .125 INCH MAX FOR INSULATED WIRE, AND .050 INCH MAX FOR UNINSULATED WIRE.
- 6 ALL DIMENSIONS AND REQUIREMENTS ARE PER MIL-DTL-83513/3

THIS DRAWING IS A CONTROLLED DOCUMENT.		DWN B. ROMANCHUK	03 SEP 08	Tyco Electronics Corporation Harrisburg, PA 17105-3608
DIMENSIONS: INCHES		CHK -	-	
TOLERANCES UNLESS OTHERWISE SPECIFIED:		APVD M. STORRY	03 SEP 08	NAME PLUG ASSEMBLY, MICRO-D PER MIL-DTL-83513/03, MCKS SERIES, 9 POSITION
0 PLC ± -		PRODUCT SPEC		SIZE A2
1 PLC ± -		APPLICATION SPEC		CAGE CODE 98278
2 PLC ± .010		WEIGHT -		DRAWING NO 1532179
3 PLC ± .005		CUSTOMER DRAWING		RESTRICTED TO -
4 PLC ± -		SCALE 4:1		SHEET 1 of 2
4 ANGLES ± 1°		SHEET		REV A
MATERIAL SEE NOTES		FINISH -		

THIS DRAWING IS UNPUBLISHED. RELEASED FOR PUBLICATION
 © COPYRIGHT BY TYCO ELECTRONICS CORPORATION. ALL INTERNATIONAL RIGHTS RESERVED.

LOC		DIST		REVISIONS			
P	LTR	DESCRIPTION	DATE	DWN	APVD		
-	-	SEE SHEET 1	-	-	-		

TE PART NUMBER	L DIM	MIL-DTL-83513 PIN	MICRODOT P/N	MCKS DESCRIPTION	3	1
1532179-1	18	M83513/03-A01N	094-6125-0001	MCKS-N1-B-9P6G1-18.0		
1532179-2	36	M83513/03-A02N	094-6125-0002	MCKS-N1-B-9P6G1-36.0		
1532179-3	18	M83513/03-A03N	094-6125-0003	MCKS-N1-B-9P6G9-18.0		
1532179-4	36	M83513/03-A04N	094-6125-0004	MCKS-N1-B-9P6G9-36.0		
1532179-5	18	M83513/03-A09N	094-6125-0009	MCKS-N1-B-9P6Q1-18.0		
1532179-6	36	M83513/03-A10N	094-6125-0010	MCKS-N1-B-9P6Q1-36.0		
1532179-7	18	M83513/03-A11N	094-6125-0011	MCKS-N1-B-9P6Q9-18.0		
1532179-8	36	M83513/03-A12N	094-6125-0012	MCKS-N1-B-9P6Q9-36.0		
1532179-9	72	M83513/03-A13N	094-6125-0013	MCKS-N1-B-9P6G1-72.0		
1-1532179-0	72	M83513/03-A14N	094-6125-0014	MCKS-N1-B-9P6G9-72.0		
1-1532179-1	72	M83513/03-A15N	094-6125-0015	MCKS-N1-B-9P6Q1-72.0		
1-1532179-2	72	M83513/03-A16N	094-6125-0016	MCKS-N1-B-9P6Q9-72.0		
1-1532179-3	0.5	M83513/03-A05N	094-6125-0005	MCKS-N1-B-9P5L4-0.5		
1-1532179-4	1.0	M83513/03-A06N	094-6125-0006	MCKS-N1-B-9P5L4-1.0		
1-1532179-5	0.5	M83513/03-A07N	094-6125-0007	MCKS-N1-B-9P5L5-0.5		
1-1532179-6	1.0	M83513/03-A08N	094-6125-0008	MCKS-N1-B-9P5L5-1.0		
1-1532179-7	18	M83513/03-A01C	094-6135-0001	MCKS-C2-B-9P6G1-18.0		
1-1532179-8	36	M83513/03-A02C	094-6135-0002	MCKS-C2-B-9P6G1-36.0		
1-1532179-9	18	M83513/03-A03C	094-6135-0003	MCKS-C2-B-9P6G9-18.0		
2-1532179-0	36	M83513/03-A04C	094-6135-0004	MCKS-C2-B-9P6G9-36.0		
2-1532179-1	0.5	M83513/03-A05C	094-6135-0005	MCKS-C2-B-9P5L4-0.5		
2-1532179-2	1.0	M83513/03-A06C	094-6135-0006	MCKS-C2-B-9P5L4-1.0		
2-1532179-3	0.5	M83513/03-A07C	094-6135-0007	MCKS-C2-B-9P5L5-0.5		
2-1532179-4	1.0	M83513/03-A08C	094-6135-0008	MCKS-C2-B-9P5L5-1.0		
2-1532179-5	18	M83513/03-A09C	094-6135-0009	MCKS-C2-B-9P6Q1-18.0		
2-1532179-6	36	M83513/03-A10C	094-6135-0010	MCKS-C2-B-9P6Q1-36.0		
2-1532179-7	18	M83513/03-A11C	094-6135-0011	MCKS-C2-B-9P6Q9-18.0		
2-1532179-8	36	M83513/03-A12C	094-6135-0012	MCKS-C2-B-9P6Q9-36.0		
2-1532179-9	72	M83513/03-A13C	094-6135-0013	MCKS-C2-B-9P6G1-72.0		
3-1532179-0	72	M83513/03-A14C	094-6135-0014	MCKS-C2-B-9P6G9-72.0		
3-1532179-1	72	M83513/03-A15C	094-6135-0015	MCKS-C2-B-9P6Q1-72.0		
3-1532179-2	72	M83513/03-A16C	094-6135-0016	MCKS-C2-B-9P6Q9-72.0		

THIS DRAWING IS A CONTROLLED DOCUMENT.		DWN B. ROMANCHUK	03 SEP 08	 Tyco Electronics Corporation Harrisburg, PA 17105-3608	
DIMENSIONS: INCHES		CHK -	-	NAME M. STORRY	
		TOLERANCES UNLESS OTHERWISE SPECIFIED:		PRODUCT SPEC	
MATERIAL SEE NOTES		FINISH -		APPLICATION SPEC	
		WEIGHT -		SIZE A2	CAGE CODE 98278
		CUSTOMER DRAWING		DRAWING NO C=1532179	RESTRICTED TO -
		SCALE 4:1		SHEET 2 of 2	REV A

单击下面可查看定价，库存，交付和生命周期等信息

[>>TE Connectivity\(泰科\)](#)