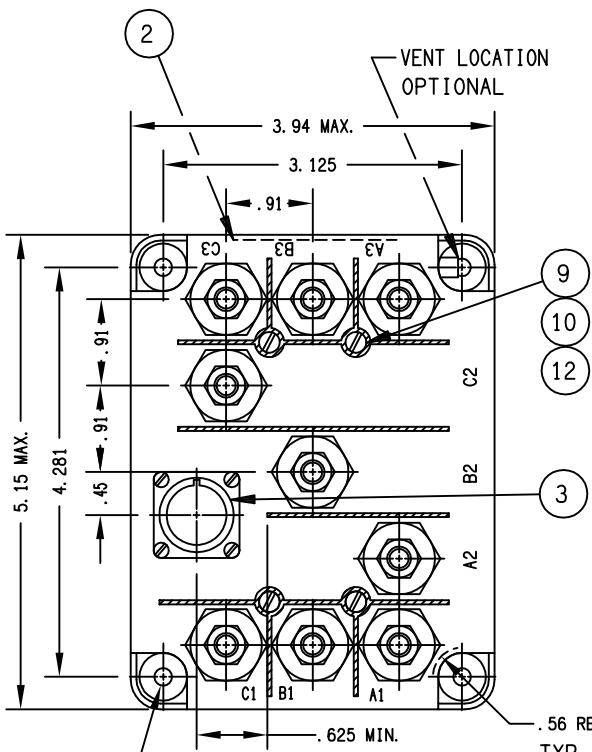


REVISIONS			RELEASED	
REV	DESCRIPTION	DATE	APPROVED	
H 22814	ITEM 1 WAS 16043-001	93/02/18	WS	
J 23017	REDRAWN, REMOVE KEYS	93/03/04	WS	
K 35412	FIND NO 16 39529-032 REMOVED	98/04/23	RS	
L 42614	FIND NO. 10 WAS 51701-310	00/06/02	CC	
M 10-013121	UPDATED THE COIL TRANSIENT NOTE	10/06/01	CB	
N 12-003360	REMOVED OVERLAYS ITEMS 14 & 15	11/10/12	CB	



CONSTRUCTION MAIN CONTACTS

CONFIGURATION
VOLTAGE (NOMINAL)
CURRENT: RES.
IND.
MOTOR
INTERR.

OPERATE TIME
CLOSING
OPENING
TRANSFER

AUXILIARY CONTACTS
CONFIGURATION
VOLTAGE
CURRENT: RES.
IND.
LAMP

COIL DATA
DUTY CYCLE
OPERATING VOLTAGE RANGE
NOMINAL COIL VOLTAGE
PICKUP MAX.
DROPOUT VOLTAGE
CURRENT: AT 30VDC

ENVIRONMENTAL DATA
AMBIENT TEMPERATURE
VIBRATION

ACCELERATION
SHOCK
ALTITUDE
LIFE ELECTRICAL
LIFE MECHANICAL
WEIGHT, MAX.

GASKET SEALED, VENTED

3PDT SIDESTABLE
115/200 VAC 400 HZ
135 AMP
135 AMP
80 AMP
1350 AMP

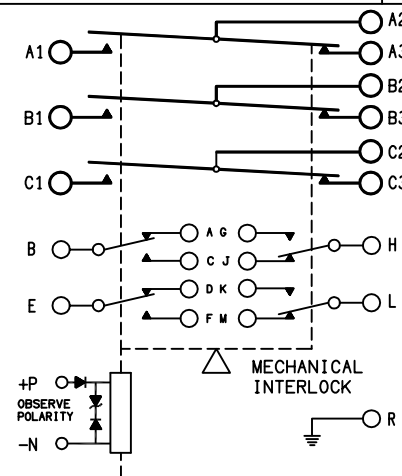
50 MILLISECONDS MAX AT 25 VDC
35 MILLISECONDS MAX
10 MILLISECONDS MAX AT 30 VDL

4 PDT
28 VDC 115 VAC 400 HZ
5 AMP
3 AMP
2 AMP

CONTINUOUS
18 VDC TO 30 VDC
28 VDC
18 VDC
7 VOLTS TO 1 VOLT
.33 AMP MAX AT 25°C

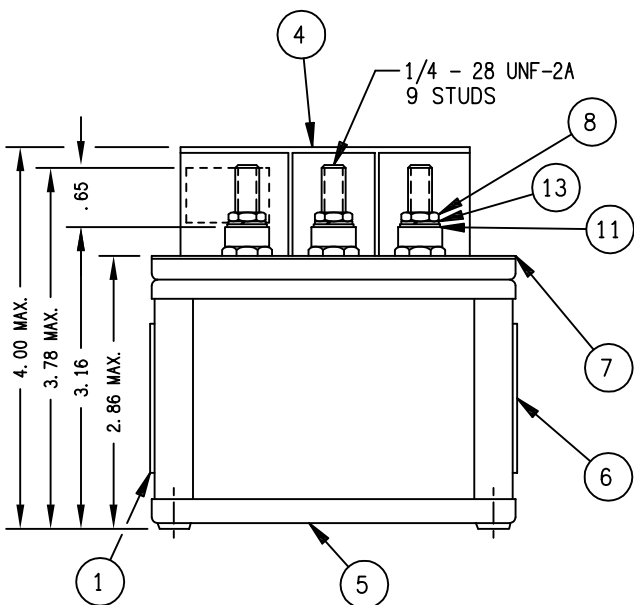
-55°C TO +71°C
PER MIL-E-5400 (50 to 500 HZ)
FIGURE 2 CURVE 1V

6 G'S
18 G'S MAX FOR 11 MILLISECONDS
50,000 FEET MAX
50,000 CYCLES MIN.
100,000 CYCLES MIN.
3 LBS.



NOTES:
1. THE COIL SHALL BE PROVIDED WITH TRANSIENT SUPPRESSION, LIMIT THE VOLTAGE SPIKE TO ±47 VOLTS

.218^{+0.010}_{-0.005} DIA.
4 MTG. HOLES
TYP. MTG. HOLE CLEARANCE



15					
14					
13	9	51807-034	WASHER- LOCK NO. 1/4 SPLIT	MS35338-101	BRONZE
12	4	51805-011	WASHER- LOCK NO. 5 SPLIT		BRONZE
11	9	51703-064	WASHER- FLAT 1/2 X 17/64 X .031	AN9608416L	BRASS
10	4	51701-180	WASHER- FLAT 3/16 X .103 X .015		MYLAR
9	4	51205-771	SCREW, 5-40 X 1 1/4 RD. HD.		BRASS
8	9	50407-364	NUT 1/4-28 X 7/16 X 3/16 HEX	MS35650-3255S	BRASS
7	1	34498-001	PLATE-BASE COVER		
6	1	34497-001	PLATE- SCHEMATIC DIAGRAM		
5	1	34495-020	CONTACTOR ASSEMBLY- PRI.		
4	1	30844-001	TERMINAL- SHIELD		
3	1	REF	CONNECTOR MS 3470W-14-19P		
2	1	17959-001	PLATE-WARNING		
1	1	16043-052	PLATE-NAME		

FIND NO	QTY REQD	PART OR IDENTIFYING NO	NOMENCLATURE OR DESCRIPTION	DRAWING OR SPECIFICATION	MATERIAL OR NOTE
---------	----------	------------------------	-----------------------------	--------------------------	------------------

UNLESS OTHERWISE SPECIFIED DIMENSIONS ARE IN INCHES TOLERANCES ON			REF: SIKORSKY AIRCRAFT 70550-02027-104		 Hartman Division - 175 N. DIAMOND STREET MANSFIELD, OHIO 44902
2 PL DEC.	3 PL DEC.	ANGLES	DR BY	CSC 00/08/15	
± .03	± .010	± 1'	CHK BY	CC 00/08/15	
			ENGR	MRR 00/08/16	
			MFG	MES 00/08/17	
			SIZE	CODE IDENT	
			C	74063	
			SCALE	NONE SHEET	

CONTACTOR ELECTRICAL	
135 AMP, SIDE STABLE-3PDT	
115/200 VAC, 400 HZ 093	
DWG NO.	D-56B
REF TE P/N 1616035-1	

单击下面可查看定价，库存，交付和生命周期等信息

[>>TE Connectivity\(泰科\)](#)