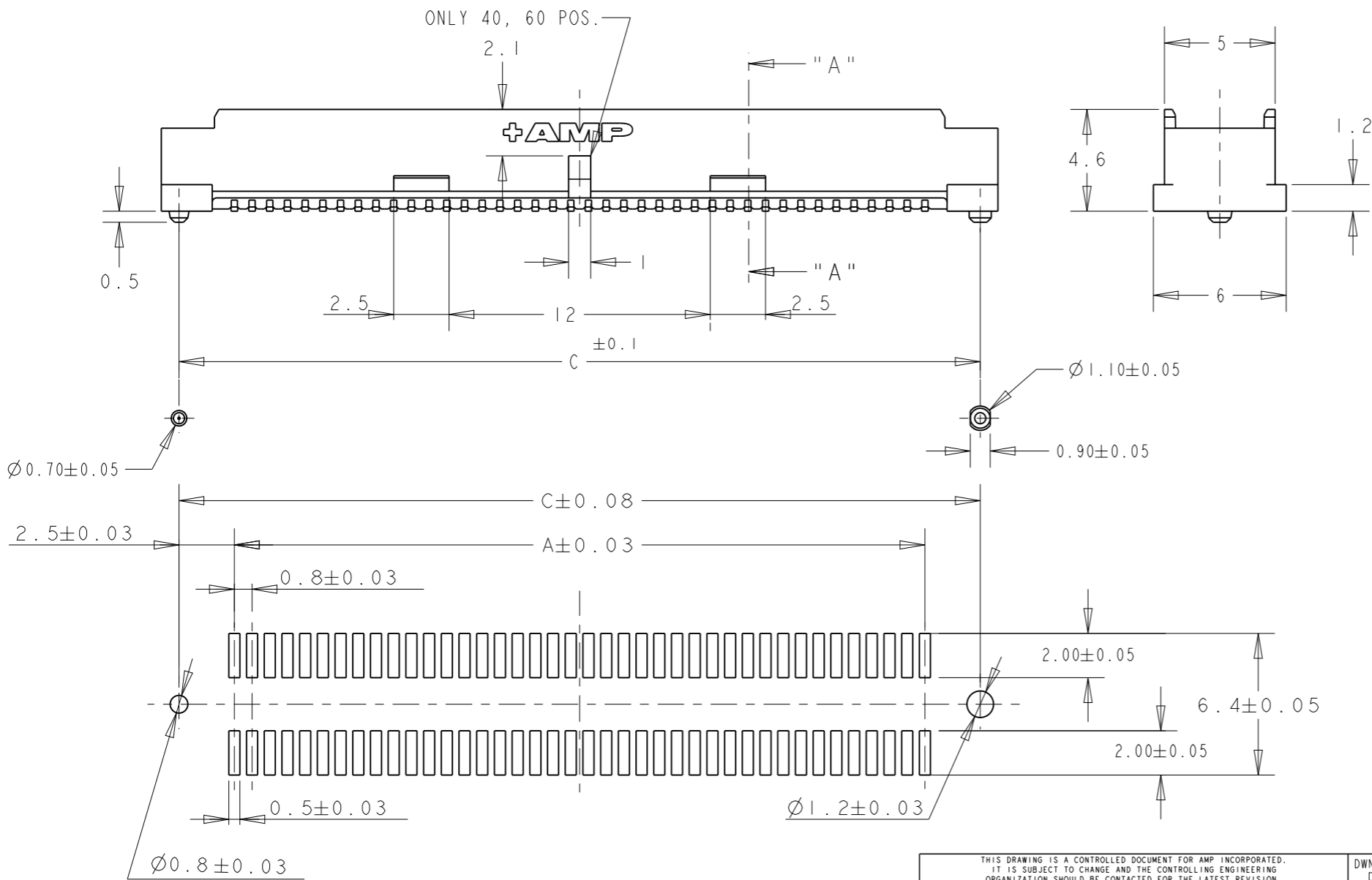
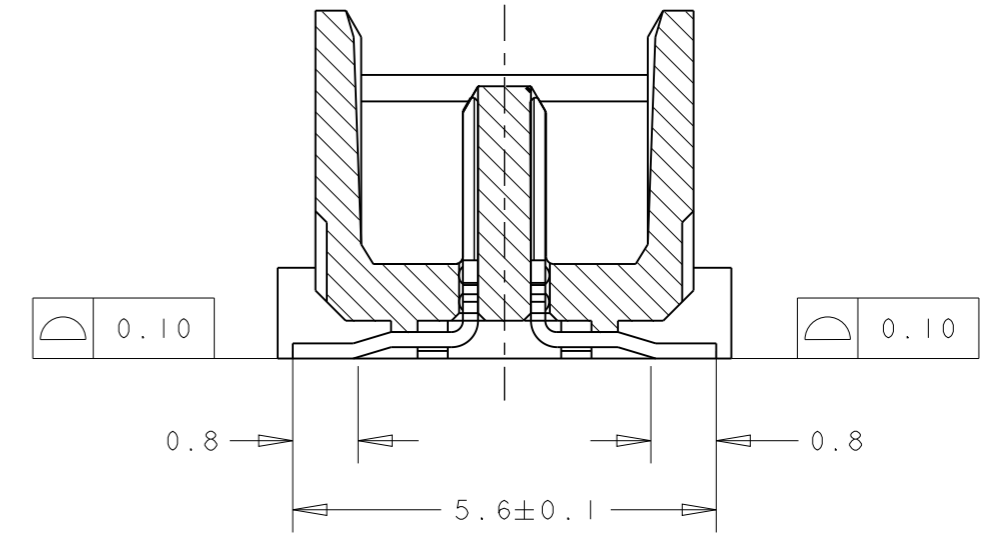
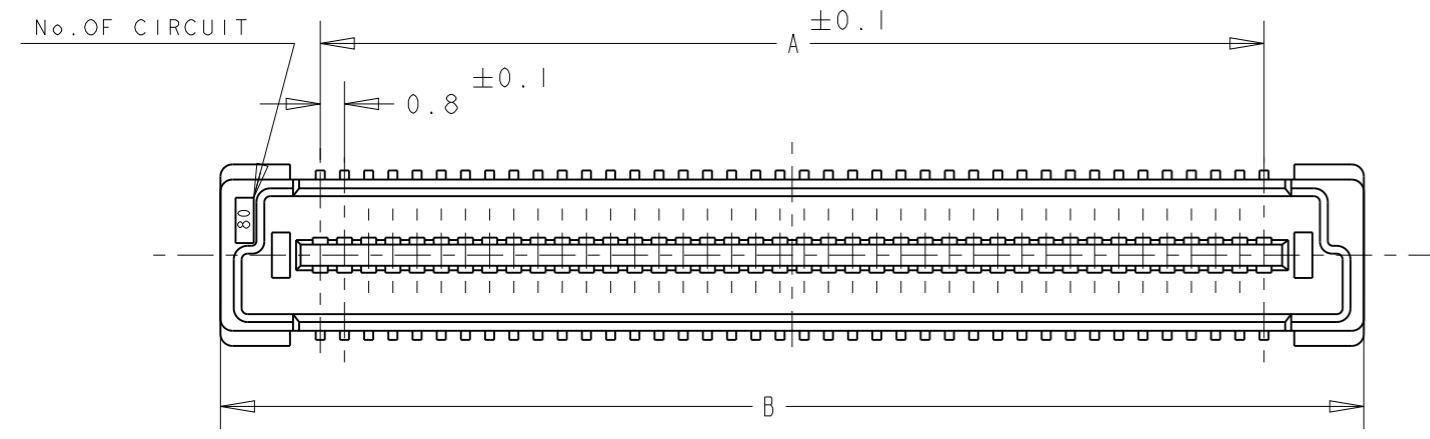


THIS DRAWING IS UNPUBLISHED. RELEASED FOR PUBLICATION .19 .  
 © COPYRIGHT 19 BY AMP INCORPORATED. ALL RIGHTS RESERVED.

LOC		DIST		REVISIONS			
P	LTR	DESCRIPTION	DATE	DWN	APVD		
		A2	REVISED PER ECR-11-016946	16AUG2011	SYJ	LSF	



- NOTES:
- 1 MATERIAL: HOUSING: L.C.P. (HIGH TEMP THERMO PLASTIC)  
UL 94V-0, NATURAL.  
CONTACT: BRASS.
  - 2 FINISH: CONTACT AREA: 0.00076 MIN GOLD ON  
0.0013 MIN ALL OVER NICKEL.  
SOLDERING AREA: 0.002 MIN MATTE-TIN.
  - 3. POSITION SERIES; SEE TABLE. (SHEET 2)
  - 4. CONN STACK HEIGHT COMBINE OF PLUG "Y" H VS REC "X" H.  
STACK HEIGHT = Y + X - 5

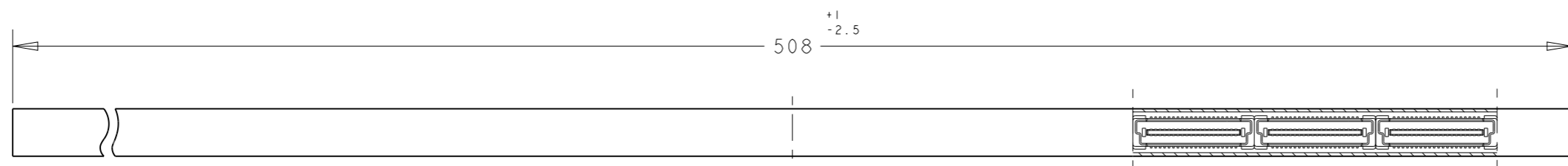
RECOMMENDED P.C. BOARD LAYOUT

P/N SEE SHEET 2 OF 2.

THIS DRAWING IS A CONTROLLED DOCUMENT FOR AMP INCORPORATED. IT IS SUBJECT TO CHANGE AND THE CONTROLLING ENGINEERING ORGANIZATION SHOULD BE CONTACTED FOR THE LATEST REVISION.		DWN FLORENCE TAN 30AUG04	<b>STE</b>	TE CONNECTIVITY (Singapore) Pte. Ltd.	
DIMENSIONS: mm		CHK ERIC TNG		NAME PLUG ASSEMBLY 5H TYPE 30Au (0.5 BOSS LENGTH) FOR FH 0.8mm PITCH B-T-B CONNECTOR	
TOLERANCES UNLESS OTHERWISE SPECIFIED: 0 PLC ±- 1 PLC ±0.30 2 PLC ±0.25 3 PLC ±0.20 4 PLC ±- ANGLES ±3°		APVD SEIFONG	DRAWING NO 5084614		
MATERIAL		PRODUCT SPEC 108-5390	SIZE A3	CAGE CODE 00779	SCALE 4:1
FINISH		APPLICATION SPEC 114-5254	SHEET 1 OF 2		REV A2
1		WEIGHT -	CUSTOMER DRAWING		
2					

THIS DRAWING IS UNPUBLISHED. RELEASED FOR PUBLICATION .19 .  
 © COPYRIGHT 19 BY AMP INCORPORATED. ALL RIGHTS RESERVED.

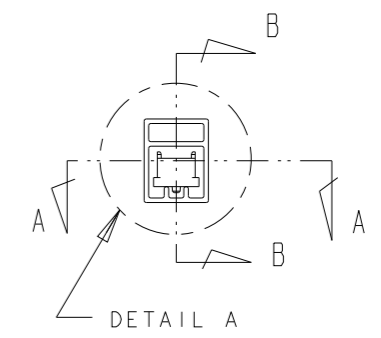
LOC	DIST	REVISIONS			
P	LTR	DESCRIPTION	DATE	DWN	APVD
DY	-	SEE SHEET 1	-	-	-



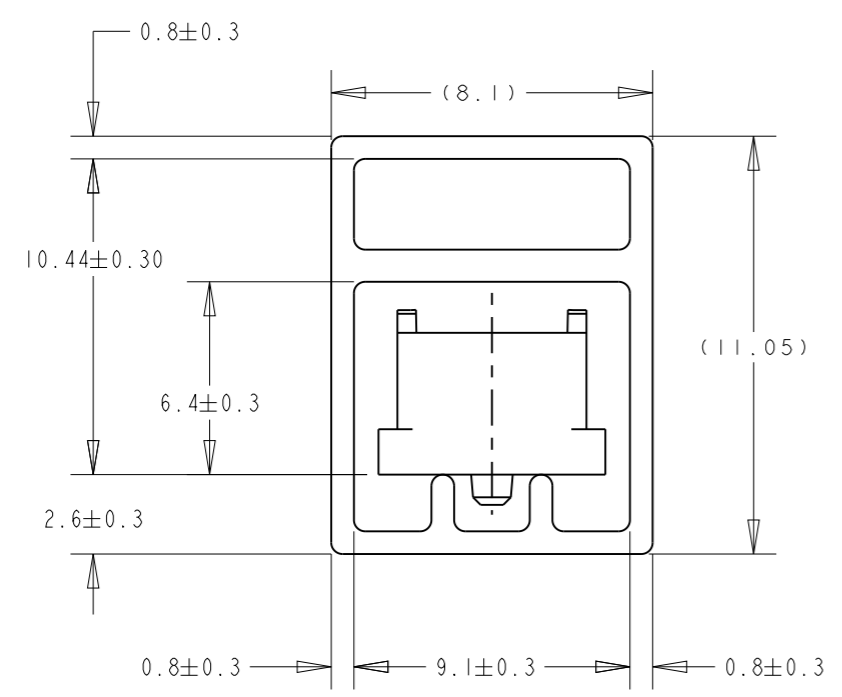
SECT A-A



SECT B-B



REFERENCE PICTURE OF TUBE PACK



DETAIL A

AVAILABLE	5	84.2	85.8	79.2	200	1-	-0
	6	76.2	77.8	71.2	180		-9
	6	68.2	69.8	63.2	160		-8
	7	60.2	61.8	55.2	140		-6
	9	52.2	53.8	47.2	120		-5
	10	44.2	45.8	39.2	100		-4
	12	36.2	37.8	31.2	80		-3
	16	28.2	29.8	23.2	60		-2
	22	20.2	21.8	15.2	40		5084614-1
STATUS	QTY/TUBE	C	B	A	POS.	CONN P/N	

THIS DRAWING IS A CONTROLLED DOCUMENT FOR AMP INCORPORATED. IT IS SUBJECT TO CHANGE AND THE CONTROLLING ENGINEERING ORGANIZATION SHOULD BE CONTACTED FOR THE LATEST REVISION.		DWN FLORENCE TAN 30AUG04	<b>STE</b> TE CONNECTIVITY (Singapore) Pte. Ltd.
DIMENSIONS: mm		CHK ERIC TNG	
TOLERANCES UNLESS OTHERWISE SPECIFIED: 0 PLC ± 1 PLC ±0.30 2 PLC ±0.25 3 PLC ±0.20 4 PLC ± ANGLES ±3°		APVD SEIFONG	NAME PLUG ASSEMBLY 5H TYPE 30Au (0.5 BOSS LENGTH) FOR FH 0.8mm PITCH B-T-B CONNECTOR
MATERIAL		PRODUCT SPEC 108-5390	SIZE A3
FINISH		APPLICATION SPEC 114-5254	CAGE CODE 00779
1		WEIGHT -	DRAWING NO C=5084614
2		CUSTOMER DRAWING	SCALE 4:1 SHEET 2 OF 2 REV A2

单击下面可查看定价，库存，交付和生命周期等信息

[>>TE Connectivity\(泰科\)](#)