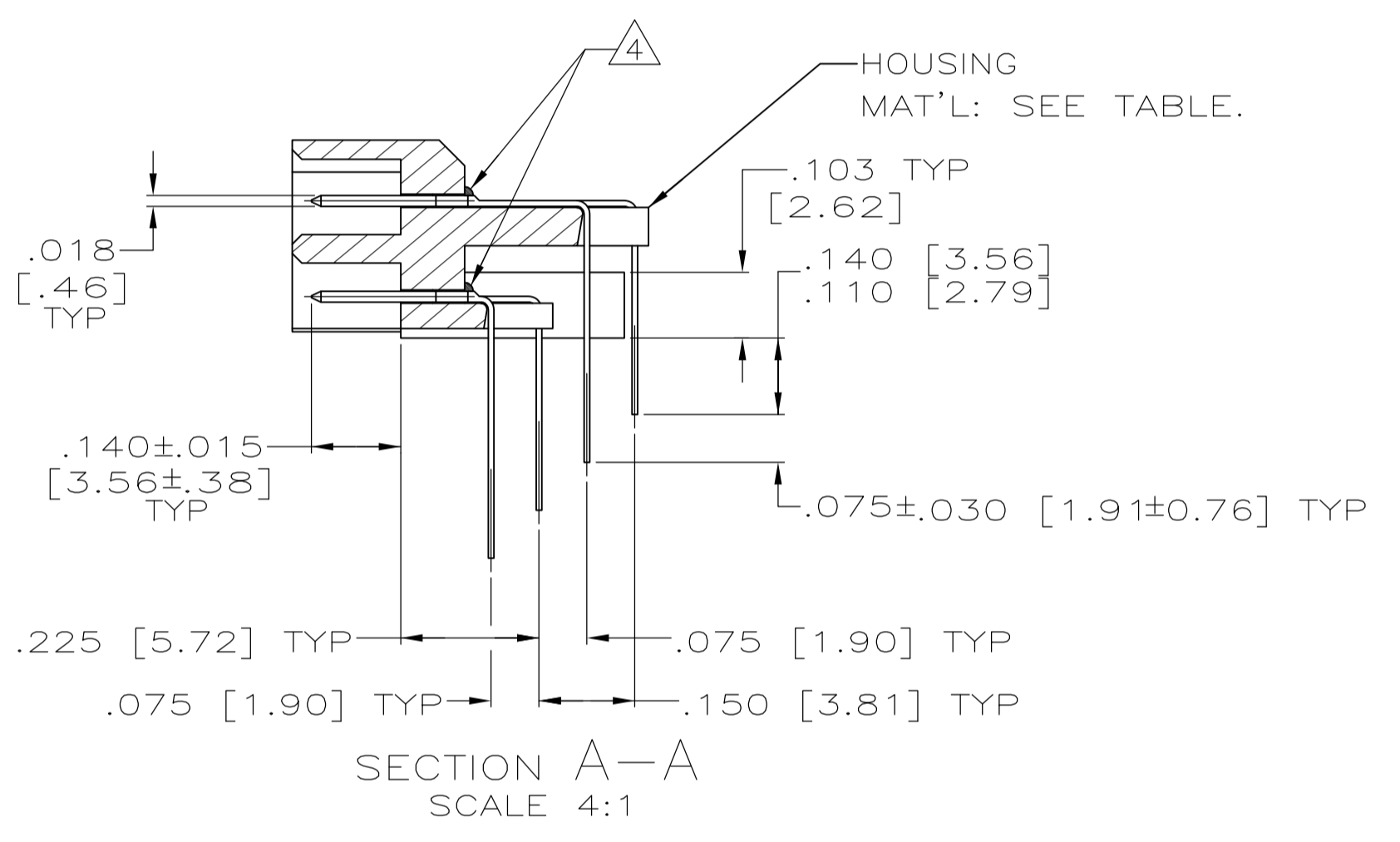
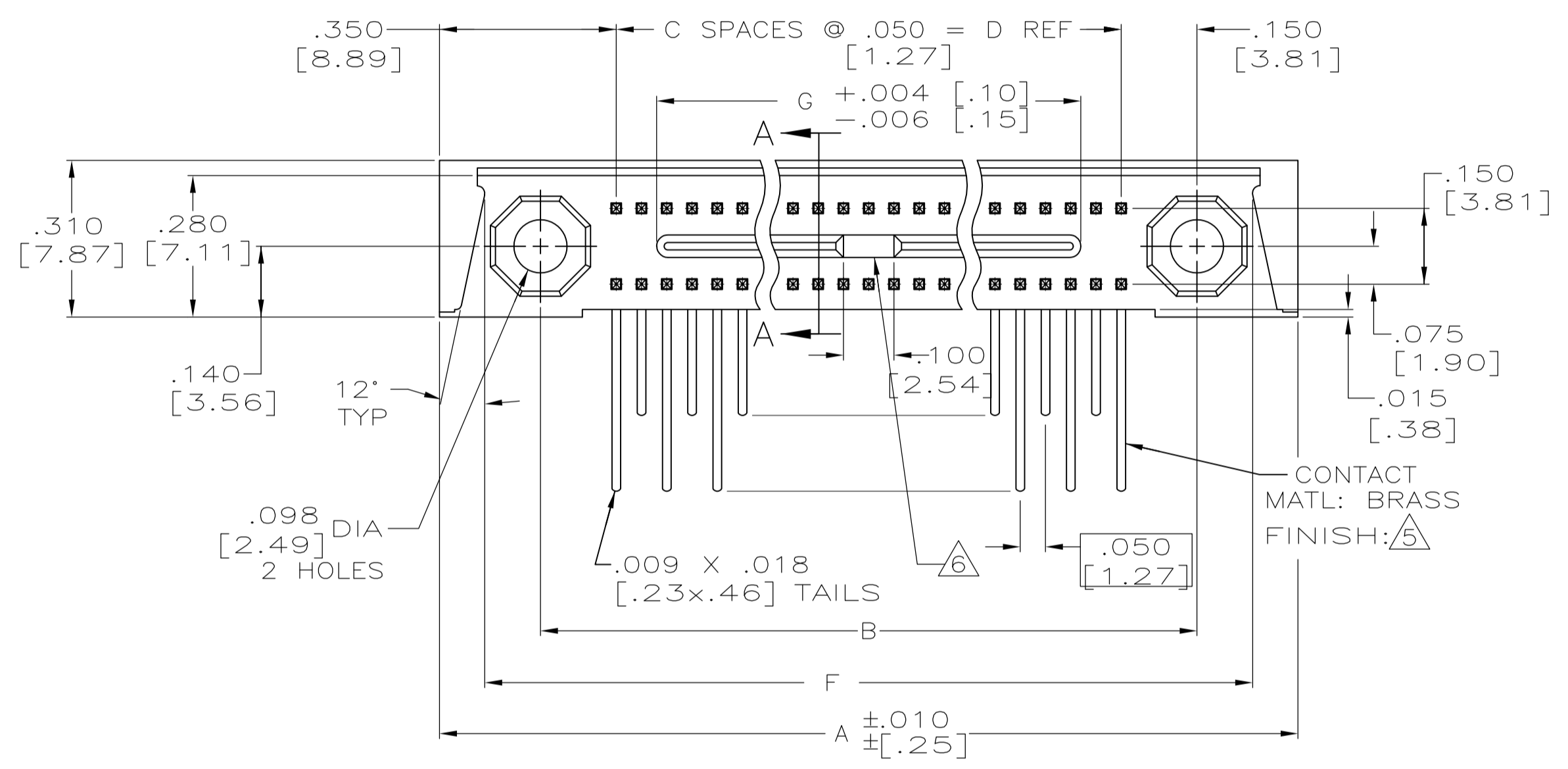
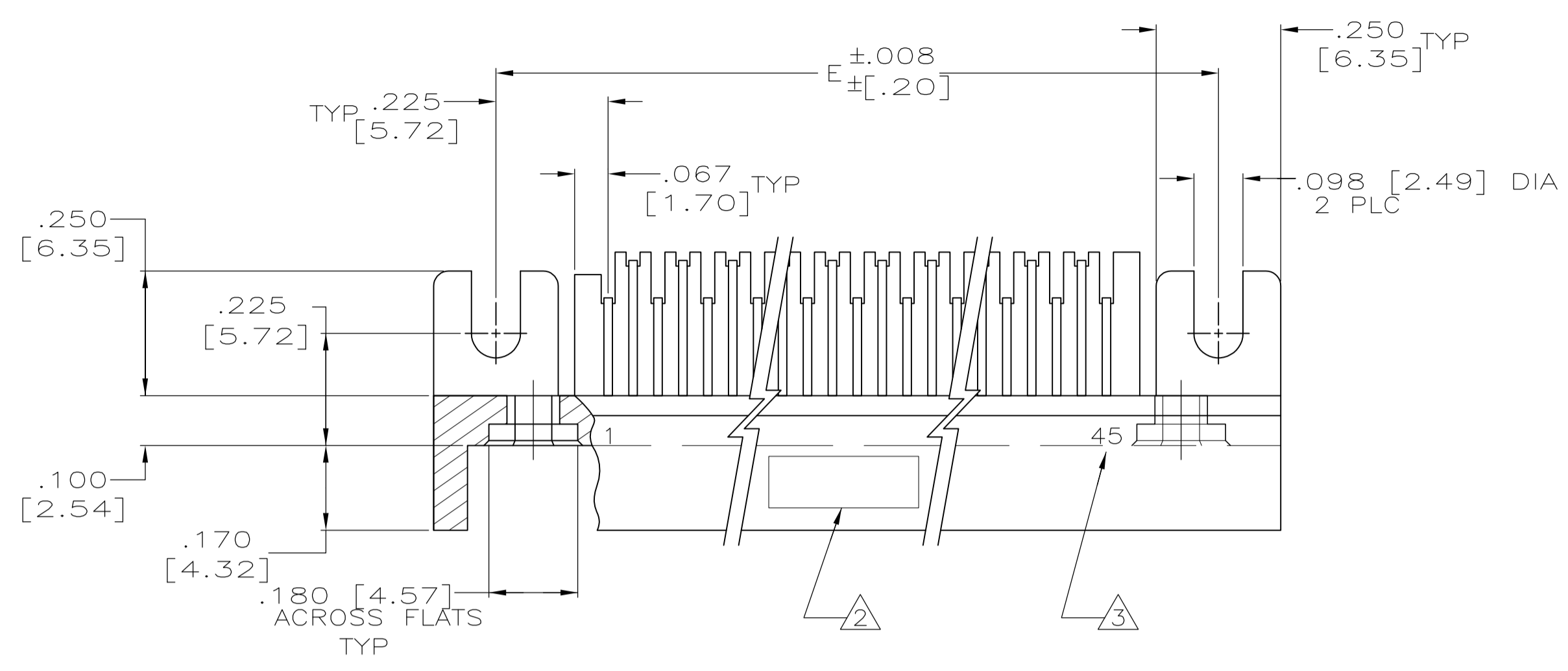
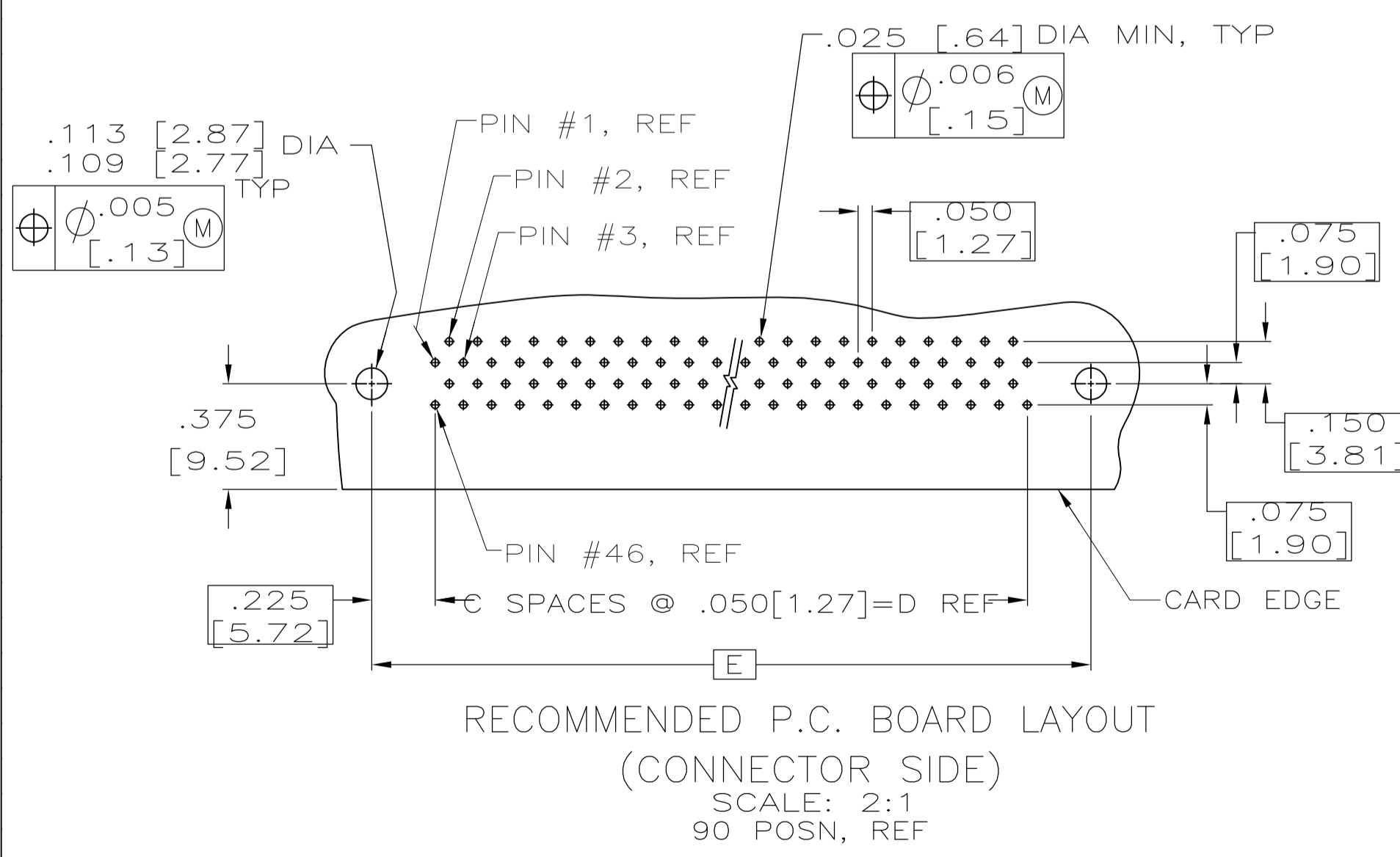


LOC		DIST		REVISIONS			
DF	FO	F	LTR	DESCRIPTION	DATE	DM	APVD
		G1	REVISED PER	ECO-11-005030	23MAR11	RK	HMR



1. CONNECTOR MEETS ALL APPLICABLE REQUIREMENTS OF MIL-C-55302.
2. AMP.00779, AMP PART NO, MILITARY PART NO.(PER TABLE) AND DATE CODE MARKED IN THIS APPROXIMATE AREA.
3. END CAVITY IDENTIFICATION NUMBERS (PER TABLE) MARKED THIS SIDE ONLY.
4. EPOXY, FOR CONTACT RETENTION, APPLIED TO CONTACT ROWS IN THIS AREA.
5. FINISH: PLATED GOLD .000050 THK PER MIL-G-45204 ON MATING END FOR A LENGTH OF .100 MIN, TAILS PLATED TIN-LEAD .000120 THK, ALL OVER NICKEL .000050 THK PER QQ-N-290.
6. SPACE IN TONGUE NOT APPLICABLE FOR 20 THRU 50 POSITIONS.
8. HOUSING MATERIAL: LIQUID CRYSTAL POLYMER PER MIL-M-24519, GLCP-30F; COLOR: GRAY.



	8	1	64	M55302/117-11	2.990 [75.95]	3.670 [93.22]	3.600 [91.44]	3.150 [80.01]	63	3.450 [87.63]	3.850 [97.79]	128	2-530743-2
	8	1	55	M55302/117-10	2.540 [64.52]	3.220 [81.79]	3.150 [80.01]	2.700 [68.58]	54	3.000 [76.20]	3.400 [86.36]	110	2-530743-1
	8	1	50	M55302/117-09	2.290 [58.17]	2.970 [75.44]	2.900 [73.66]	2.450 [62.23]	49	2.750 [69.85]	3.150 [80.01]	100	2-530743-0
	8	1	45	M55302/117-08	2.040 [51.82]	2.720 [69.09]	2.650 [67.31]	2.200 [55.88]	44	2.500 [63.50]	2.900 [73.66]	90	1-530743-9
	8	1	40	M55302/117-07	1.790 [45.47]	2.470 [62.74]	2.400 [60.96]	1.950 [49.53]	39	2.250 [57.15]	2.650 [67.31]	80	1-530743-8
	8	1	35	M55302/117-06	1.540 [39.12]	2.220 [56.39]	2.150 [54.61]	1.700 [43.18]	34	2.000 [50.80]	2.400 [60.96]	70	1-530743-7
	8	1	30	M55302/117-05	1.290 [32.77]	1.970 [50.04]	1.900 [48.26]	1.450 [36.83]	29	1.750 [44.45]	2.150 [54.61]	60	1-530743-6
	8	1	25	M55302/117-04	1.040 [26.42]	1.720 [43.69]	1.650 [41.91]	1.200 [30.48]	24	1.500 [38.10]	1.900 [48.26]	50	1-530743-5
	8	1	20	M55302/117-03	.790 [20.07]	1.470 [37.34]	1.400 [35.56]	.950 [24.13]	19	1.250 [31.75]	1.650 [41.91]	40	1-530743-4
	8	1	15	M55302/117-02	.540 [13.72]	1.220 [30.99]	1.150 [29.21]	.700 [17.78]	14	1.000 [25.40]	1.400 [35.56]	30	1-530743-3
	8	1	10	M55302/117-01	.290 [7.37]	.970 [24.64]	.900 [22.86]	.450 [11.43]	9	.750 [19.05]	1.150 [29.21]	20	1-530743-2
SUPSD BY 2--2													1-530743-1
SUPSD BY 2--1													1-530743-0
SUPSD BY 2--0													530743-9
SUPSD BY 1--9													530743-8
SUPSD BY 1--8													530743-7
SUPSD BY 1--7													530743-6
SUPSD BY 1--6													530743-5
SUPSD BY 1--5													530743-4
SUPSD BY 1--4				3	2								530743-3
SUPSD BY 1--3													530743-2
SUPSD BY 1--2													530743-1
REMARKS	HSG MATERIAL	CAVITY IDENT	MILITARY PART NO		G	F	E	D	C	B	A	NO OF POSN	ASSEMBLY NUMBER

THIS DRAWING IS A CONTROLLED DOCUMENT.		DIN 3-8-90	TE Connectivity	
DIMENSIONS: INCHES[MM]	TOLERANCES UNLESS OTHERWISE SPECIFIED:	TIWIST 6-21-90	A HOKE 6-21-90	
0 PLC ± -	1 PLC ± -	APVD DISTONER	NAME	
2 PLC ± -	3 PLC ± .005 [0.13]	PRODUCT SPEC	PIN HEADER ASSY, MINI-BOX, RIGHT ANGLE, MILITARY	
4 PLC ± -	ANGLES ± -	APPLICATION SPEC	SIZE	CAGE CODE DRAWING NO
MATERIAL	FINISH	WEIGHT	A1	00779C=530743
CUSTOMER DRAWING		SCALE 4:1		SHEET 1 OF 1
				REV G1

单击下面可查看定价，库存，交付和生命周期等信息

[>>TE Connectivity\(泰科\)](#)