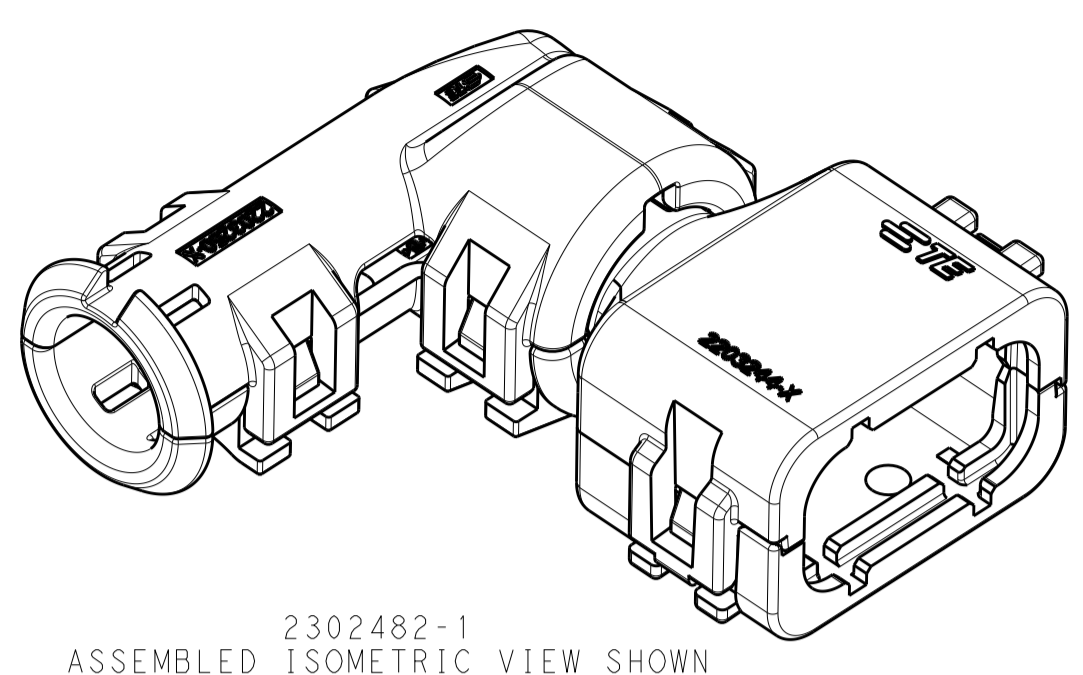
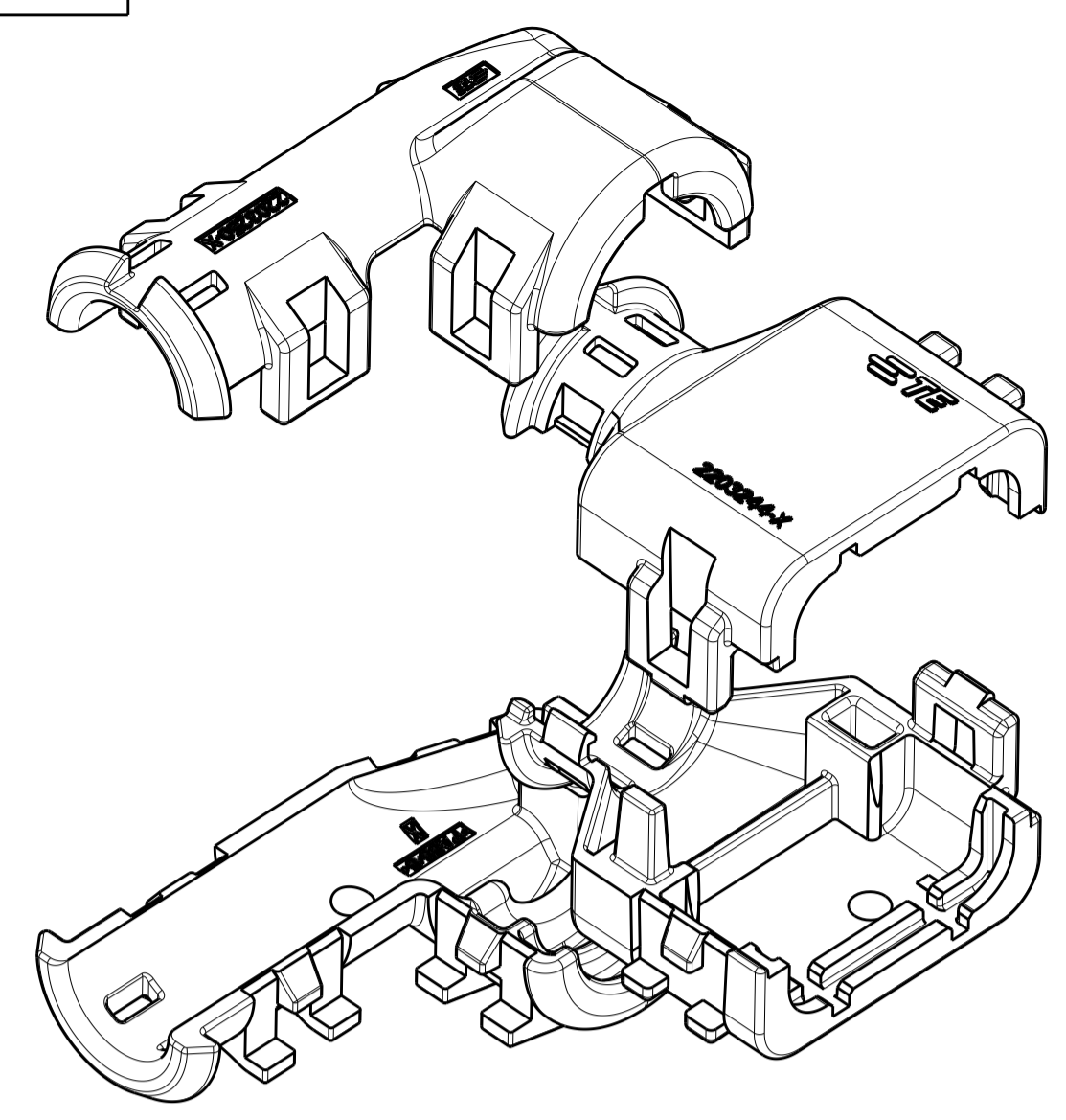


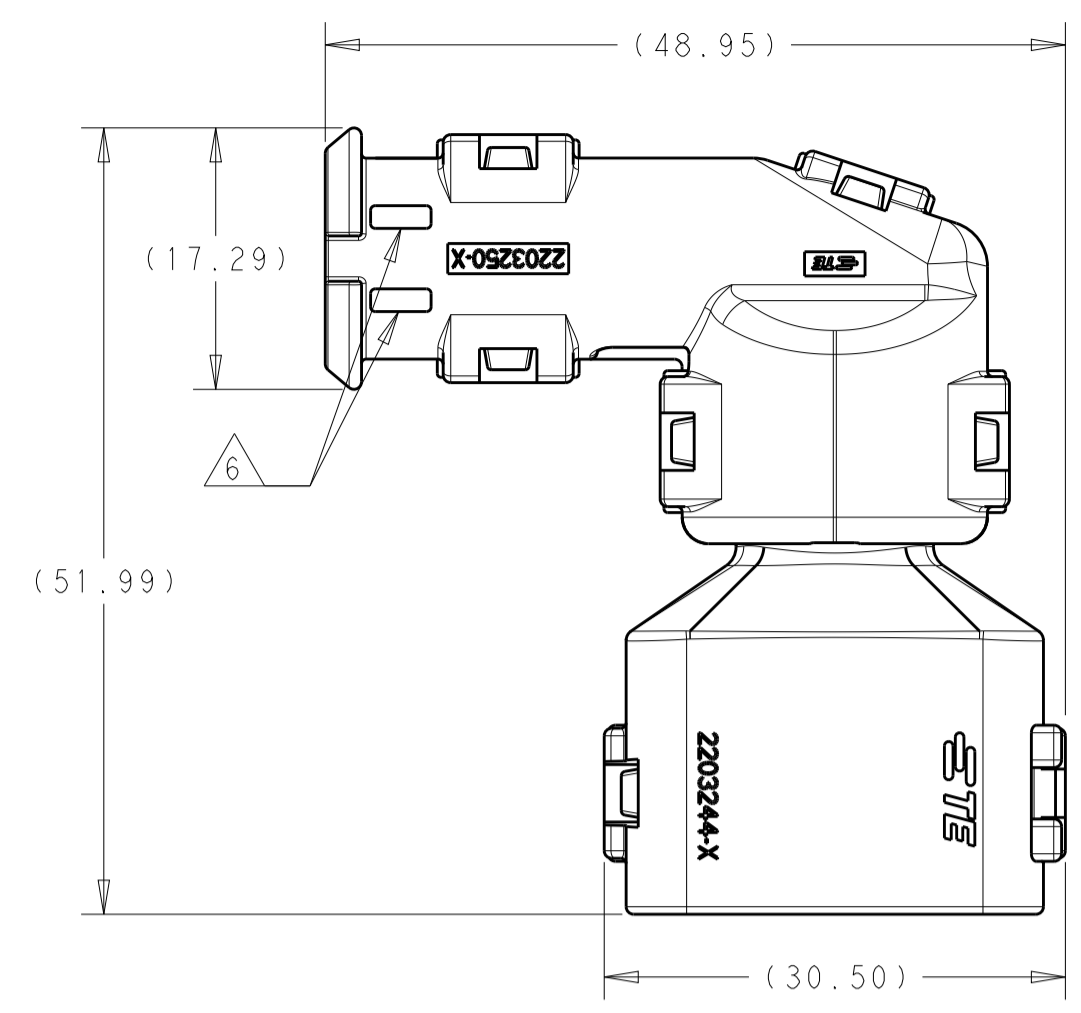
REVISIONS				
P	LTN	DESCRIPTION	DATE	APVD
A		RELEASED PER ECO-16-007279	12MAY2016	JM RB
A2		REV PER ECO-16-013256	08SEP2016	JM RB



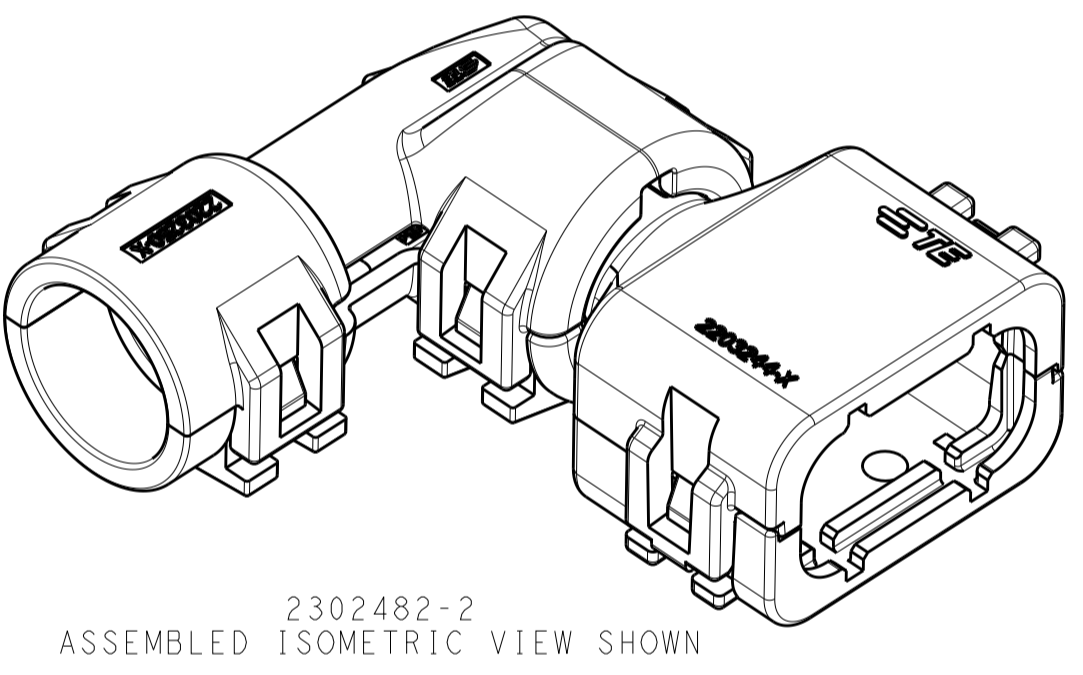
2302482-1  
ASSEMBLED ISOMETRIC VIEW SHOWN



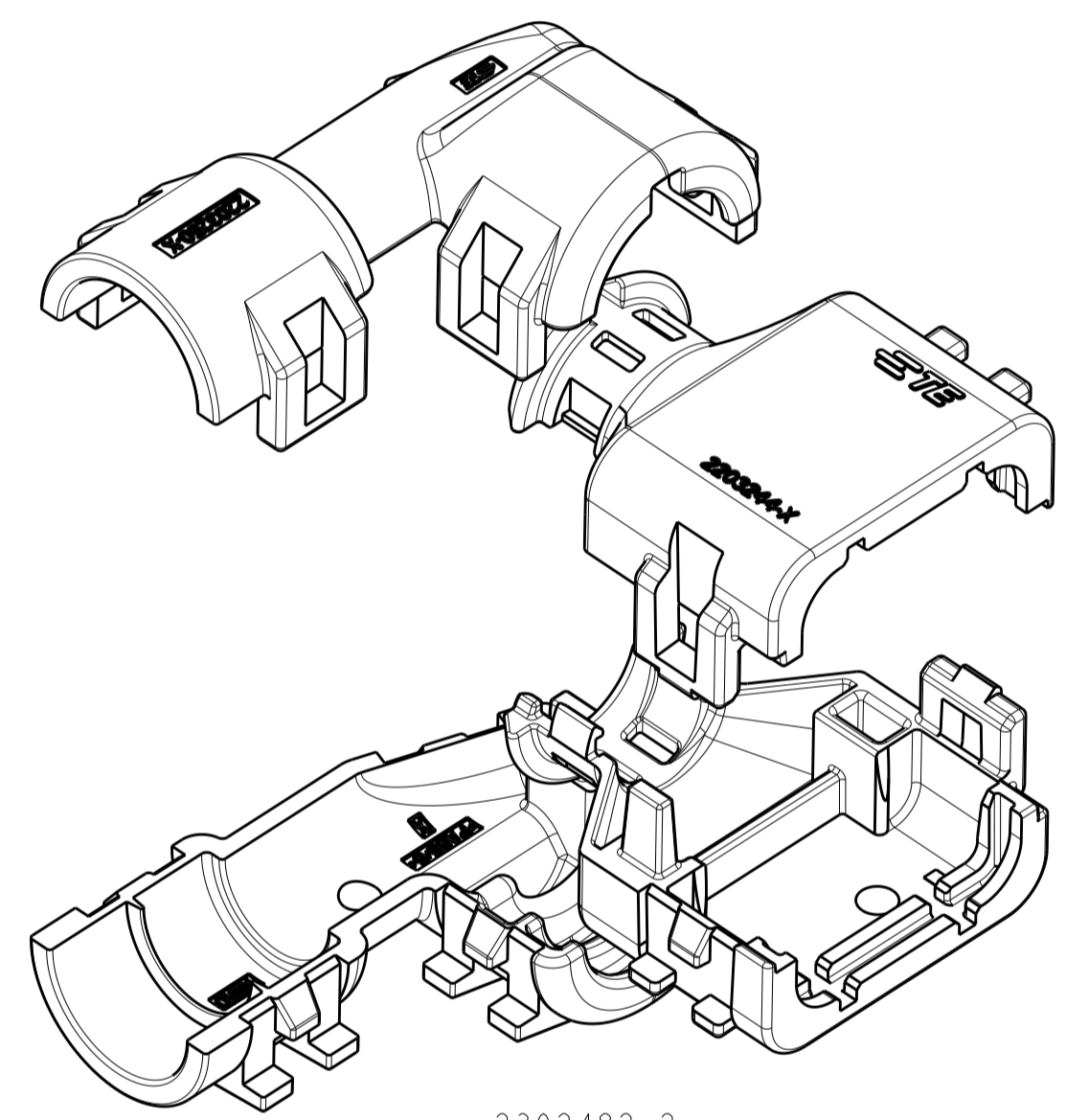
2302482-1  
EXPLODED ISOMETRIC VIEW SHOWN  
 2 3



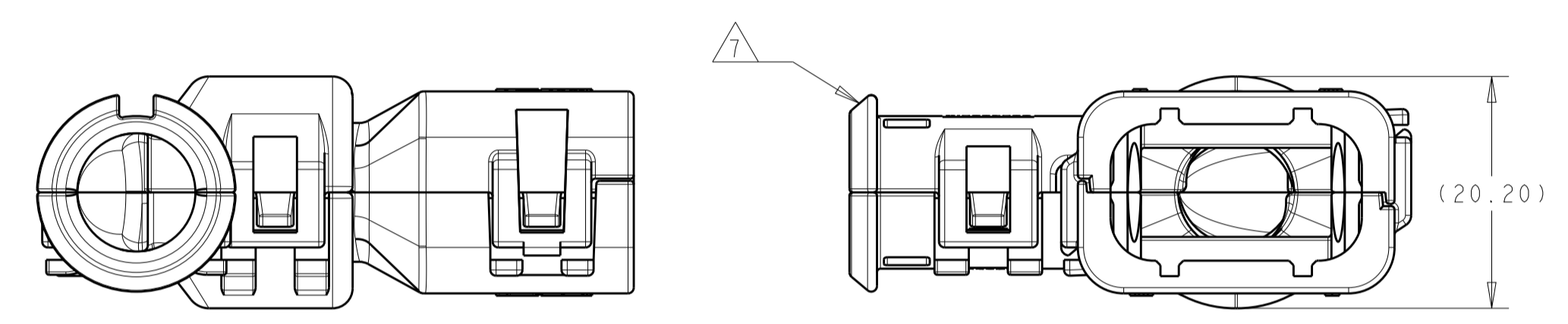
- 1 MATERIAL: NYLON MOLDING COMPOUND, BLACK, PA66/6.
- 2 BACKSHELL DESIGNED SUCH THAT TWO HALVES ATTACH TO ONE ANOTHER AND CLAMP AROUND THE CONNECTOR COVER.
- 3 ELBOW DESIGNED SUCH THAT TWO HALVES ATTACH TO ONE ANOTHER AND CLAMP AROUND THE BACKSHELL COLLAR.
- 4 DIMENSIONS TO BE MEASURED WHEN ELBOWS AND BACKSHELLS ASSEMBLED.
- 5 PRODUCT WEIGHTS:  
 2302482-1: 10.10g ASSEMBLED  
 2302482-2: 10.75g ASSEMBLED  
 2302482-3: 10.20g ASSEMBLED
- 6 4mm WIDE SLOTS FOR TIE WRAP TO SECURE HARNESS WIRES (-1 ONLY).
- 7 HEAT SHRINK TUBING FEATURE (-1 AND -3 ONLY).
- 8. INSTRUCTION SHEET: 408-151043.
- 9. CONDUIT PROFILE: NORMAL ONLY.



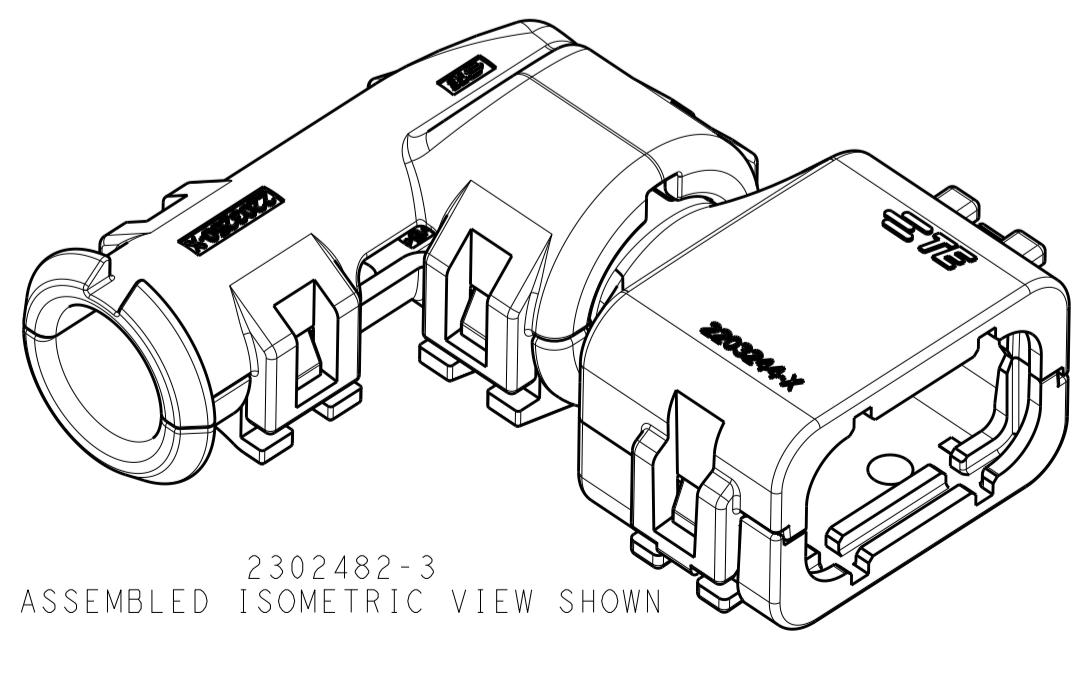
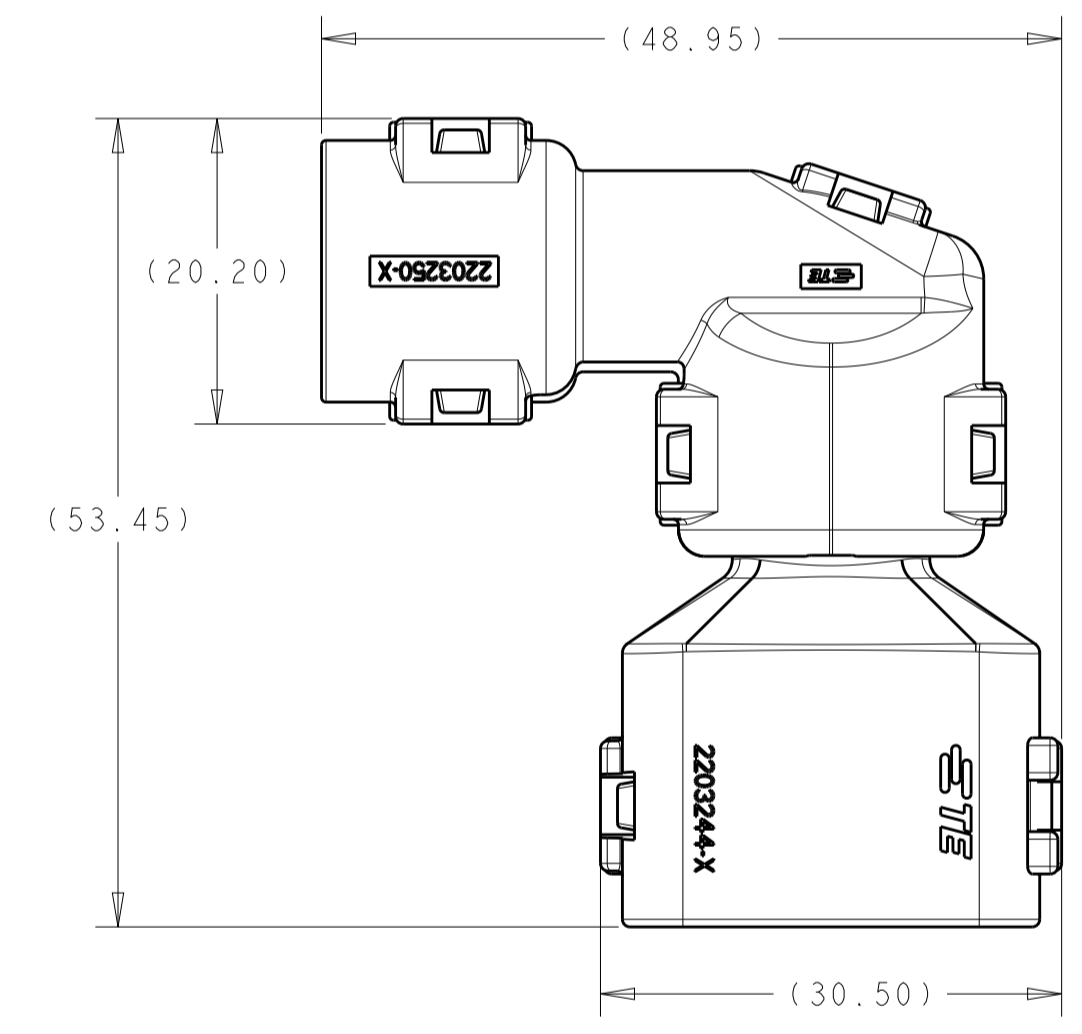
2302482-2  
ASSEMBLED ISOMETRIC VIEW SHOWN



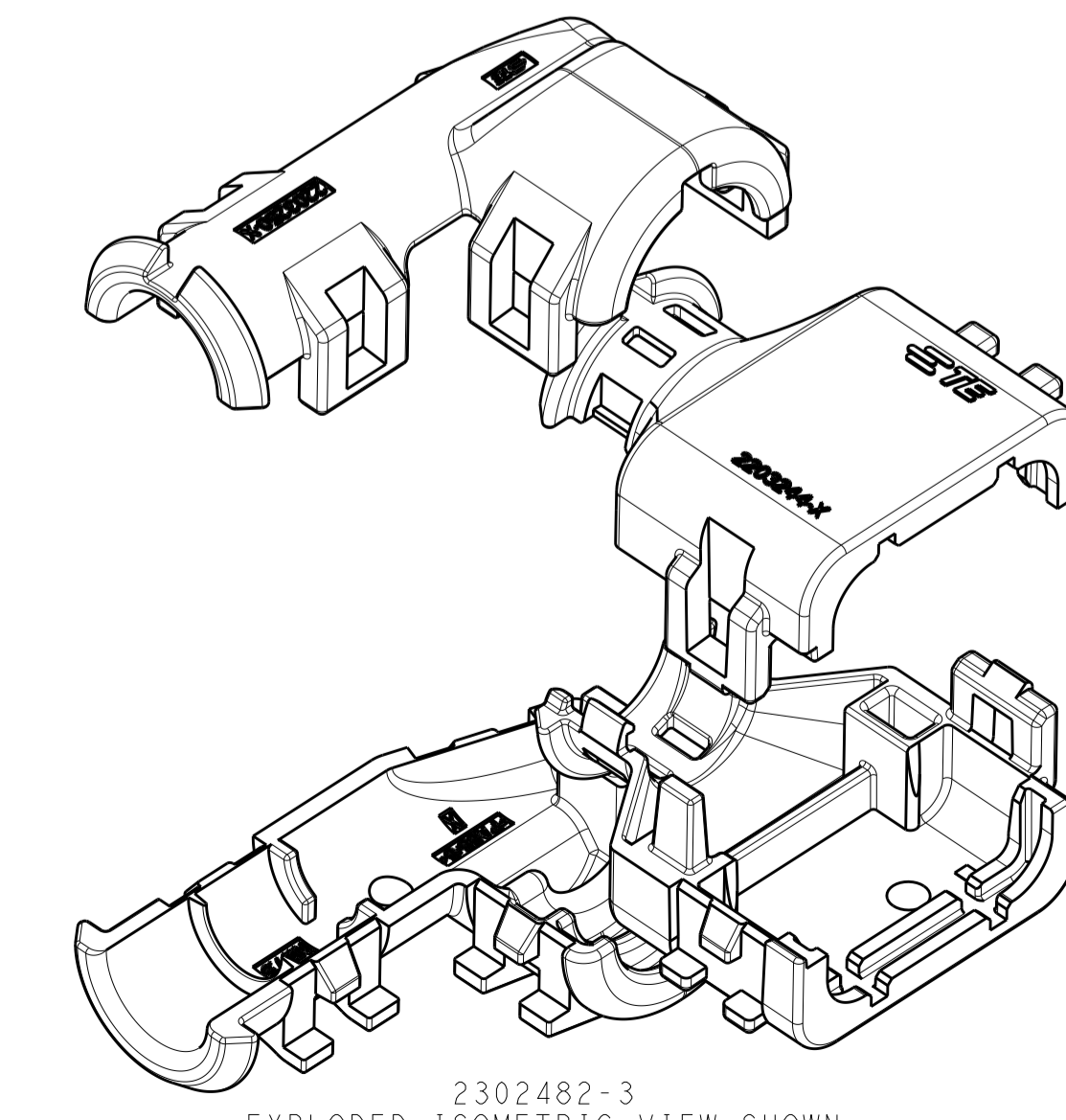
2302482-2  
EXPLODED ISOMETRIC VIEW SHOWN  
 2 3



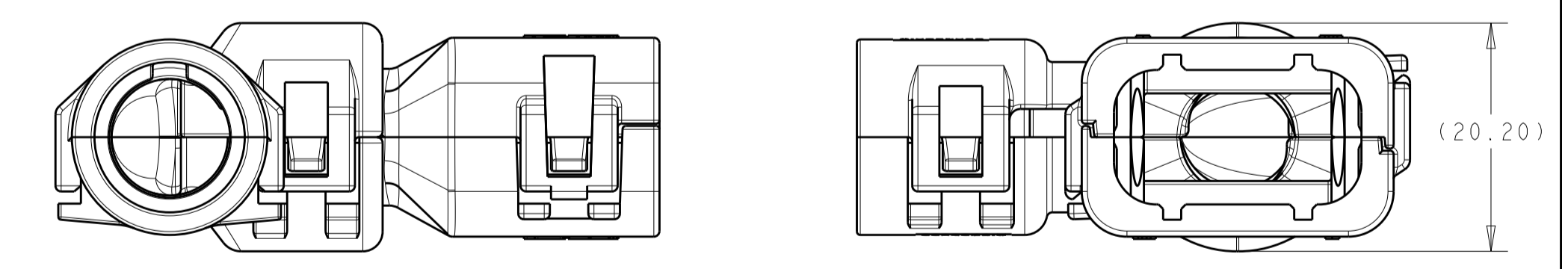
2302482-1  
ASSEMBLED VIEW SHOWN  
 DIMENSIONS SHOWN TYPICAL FOR 2302482-1 AND -3  
 4



2302482-3  
ASSEMBLED ISOMETRIC VIEW SHOWN



2302482-3  
EXPLODED ISOMETRIC VIEW SHOWN  
 2 3



2302482-2  
ASSEMBLED VIEW SHOWN  
 DIMENSIONS SHOWN FOR 2302482-2 ONLY  
 4

776430-X	NC08	NW7.5	2302482-3
776535-X	NC12	NW10	2302482-2
	SMOOTH	SMOOTH	2302482-1
FITS ON CAP ASSY	CORRUGATE NC	CORRUGATE NW	PART NUMBER
	CONDUIT SIZE		

THIS DRAWING IS A CONTROLLED DOCUMENT. DWN: J MCNEAL 26APR2016  
 CHK: R BALTER 26APR2016  
 APVD: R BALTER 26APR2016

**STE** TE Connectivity

NAME: BACKSHELL AND ELBOW KIT, 3 POSITION, CAP ASSEMBLY, AMPSEAL 16

PRODUCT SPEC: 108-151043  
 APPLICATION SPEC: -

SIZE: A1 CAGE CODE: 100779 DRAWING NO: 2302482  
 RESTRICTED TO: -

WEIGHT: 5  
 MATERIAL: 1  
 FINISH: -

CUSTOMER DRAWING SCALE: 2:1 SHEET 1 OF 1 REV: A2

单击下面可查看定价，库存，交付和生命周期等信息

[>>TE Connectivity\(泰科\)](#)