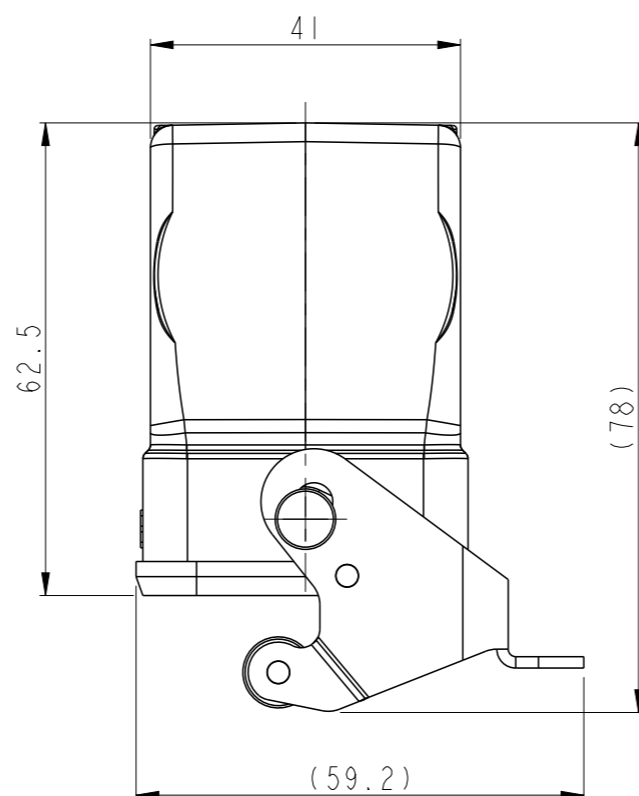
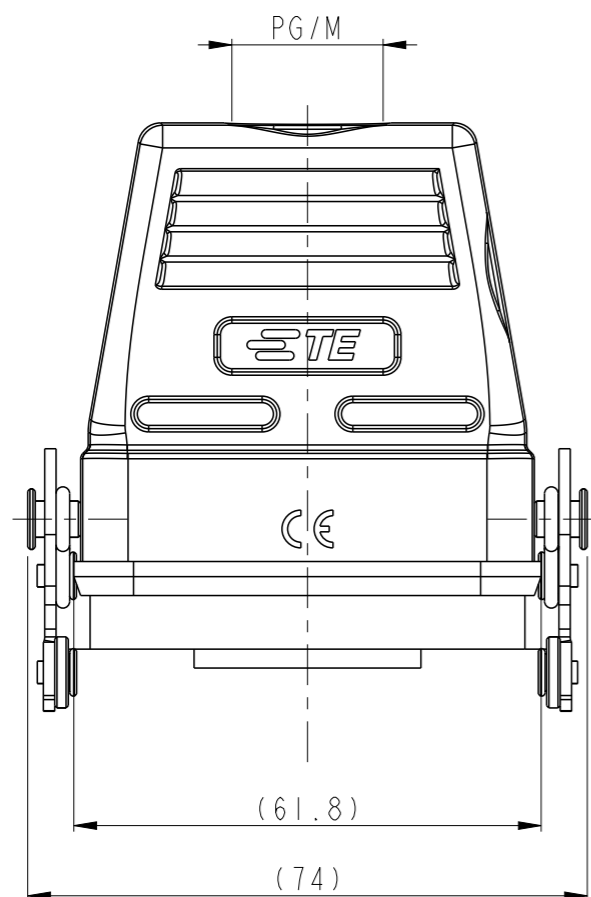


THIS DRAWING IS UNPUBLISHED. RELEASED FOR PUBLICATION 20  
 © COPYRIGHT 20 BY - ALL RIGHTS RESERVED.

REVISIONS

P	LTR	DESCRIPTION	DATE	DWN	APVD
	A	INITIAL	23JUN2015	DW	CW
	A1	ECR-15-012067	10AUG2015	DW	CW
	A2	ECR-16-010249	15JUL2016	CH	CW
	B	ECR-20-007968	22JUN2020	WQR	CW

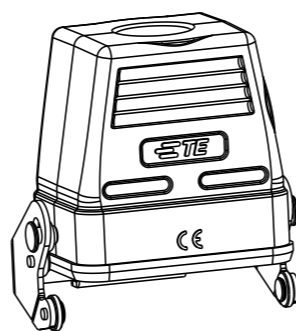
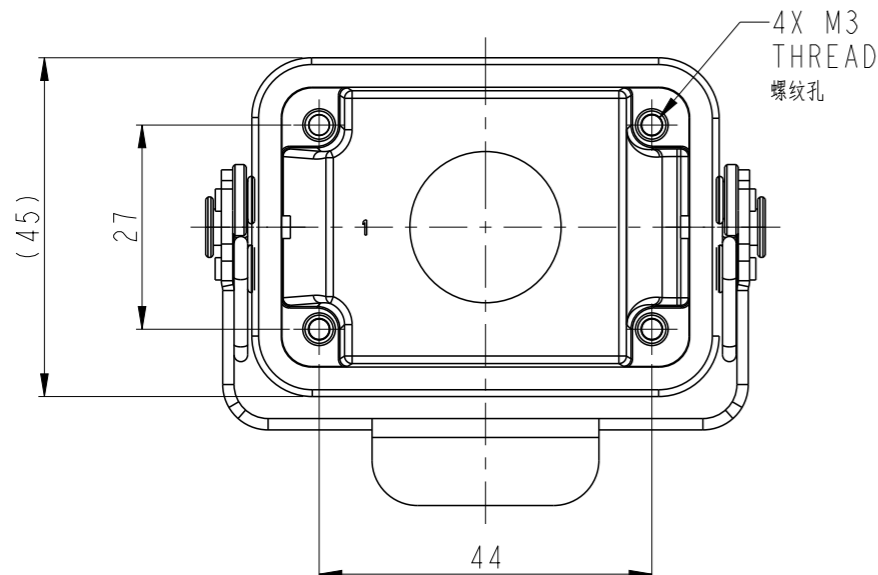


NOTES:

- 1. TECHNICAL CHARACTERISTICS:  
 HOOD MATERIAL: DIE CAST ALUMINIUM ALLOY  
 SURFACE: POWDER COATED, GRAY  
 DEGREE OF PROTECTION: IP65 (MATED)

注释:

- 1. 技术参数:  
 壳体材料: 铝合金  
 表面处理: 灰色粉末喷涂  
 防护等级: IP65(配合)



SCALE 1:2

PART NUMBER 料号	PART DESCRIPTION 描述	PG/M PG/M螺纹孔
TI730062116-000	H6B-TBFS-PG16 H6B HOUSING, CABLE TO CABLE, STAINLESS STEEL SINGLE LOCKING, PG16, POWDER COATED, GRAY H6B下壳, 电缆对接, 不锈钢单扣, PG16, 灰色粉末喷涂	PG16
TI730062120-000	H6B-TBFS-M20 H6B HOUSING, CABLE TO CABLE, STAINLESS STEEL SINGLE LOCKING, M20, POWDER COATED, GRAY H6B下壳, 电缆对接, 不锈钢单扣, M20, 灰色粉末喷涂	M20
TI730062125-000	H6B-TBFS-M25 H6B HOUSING, CABLE TO CABLE, STAINLESS STEEL SINGLE LOCKING, M25, POWDER COATED, GRAY H6B下壳, 电缆对接, 不锈钢单扣, M25, 灰色粉末喷涂	M25
TI730062132-000	H6B-TBFS-M32 H6B HOUSING, CABLE TO CABLE, STAINLESS STEEL SINGLE LOCKING, M32, POWDER COATED, GRAY H6B下壳, 电缆对接, 不锈钢单扣, M32, 灰色粉末喷涂	M32

THIS DRAWING IS A CONTROLLED DOCUMENT.

DIMENSIONS: mm	TOLERANCES UNLESS OTHERWISE SPECIFIED:
	0 PLC ±-
	1 PLC ±-
	2 PLC ±-
	3 PLC ±-
	4 PLC ±-
	ANGLES ±-
MATERIAL	FINISH
-	-
-	-

DWN	23JUN2015
DAVID.WANG	
CHK	23JUN2015
CHRIS.WANG	
APVD	23JUN2015
XIANG.XU	
PRODUCT SPEC	108-137013
APPLICATION SPEC	114-137013
WEIGHT	-
Customer Drawing	

TE Connectivity		NAME		RESTRICTED TO
		H6B-TBFS-M/PG		
SIZE	CAGE CODE	DRAWING NO		
A3	00779	©-TI7300621XX000		
SCALE		SHEET	OF	REV
1:1		1	1	B

单击下面可查看定价，库存，交付和生命周期等信息

[>>TE Connectivity\(泰科\)](#)