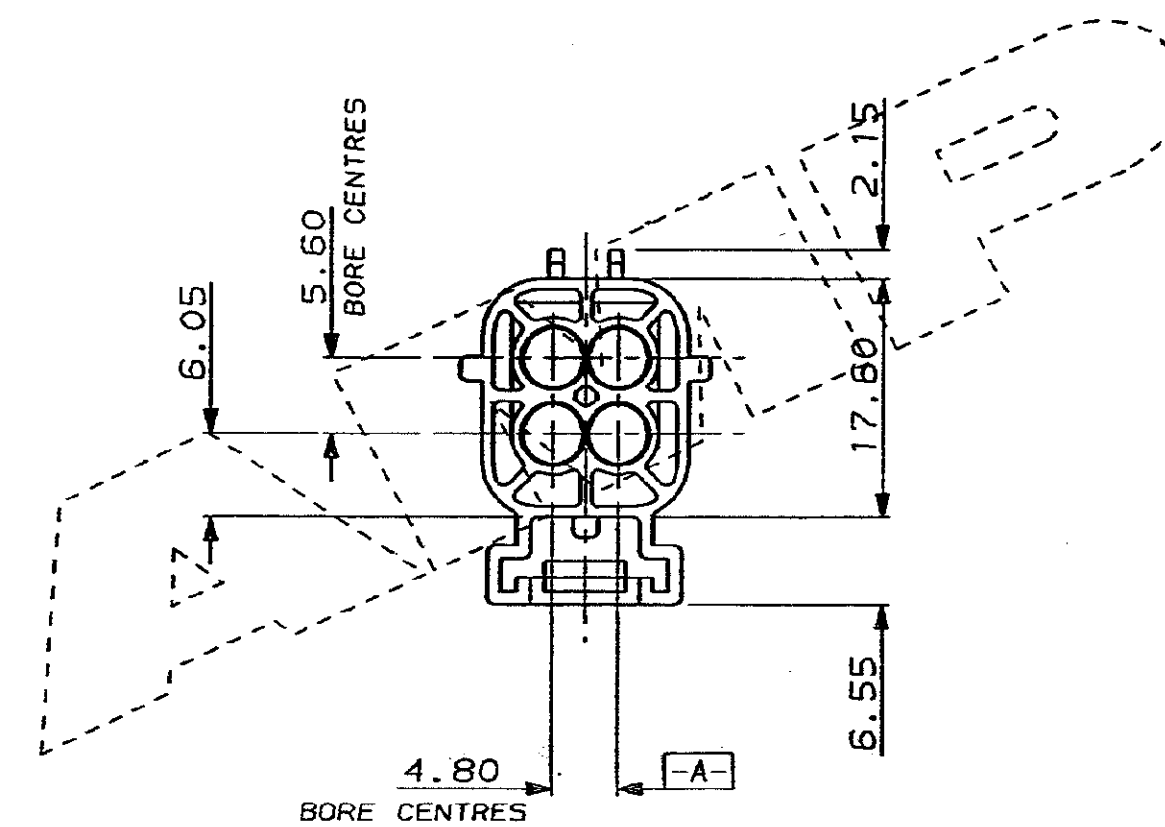
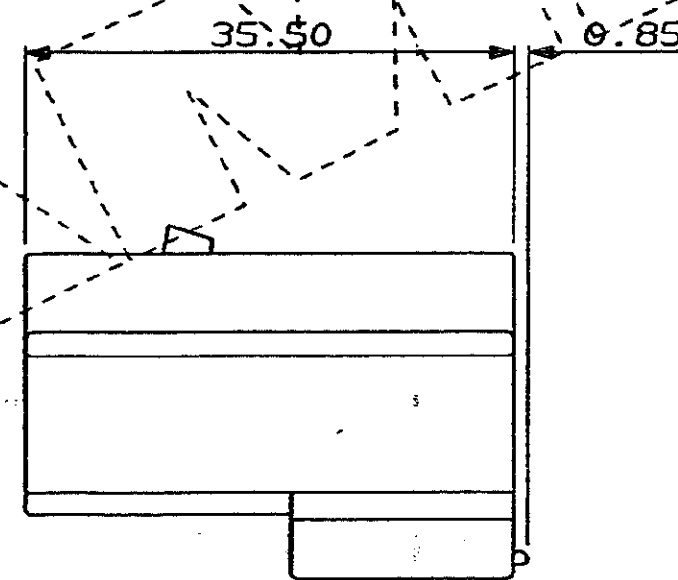
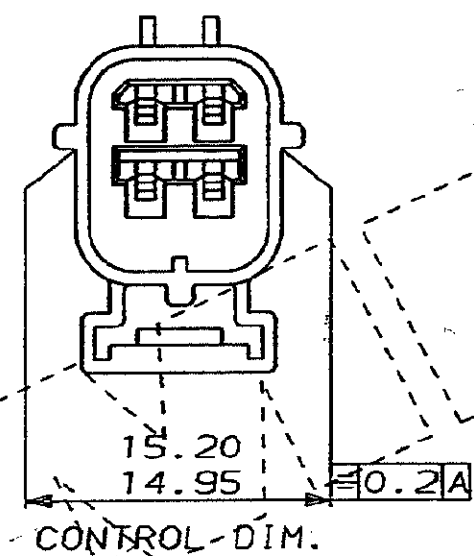


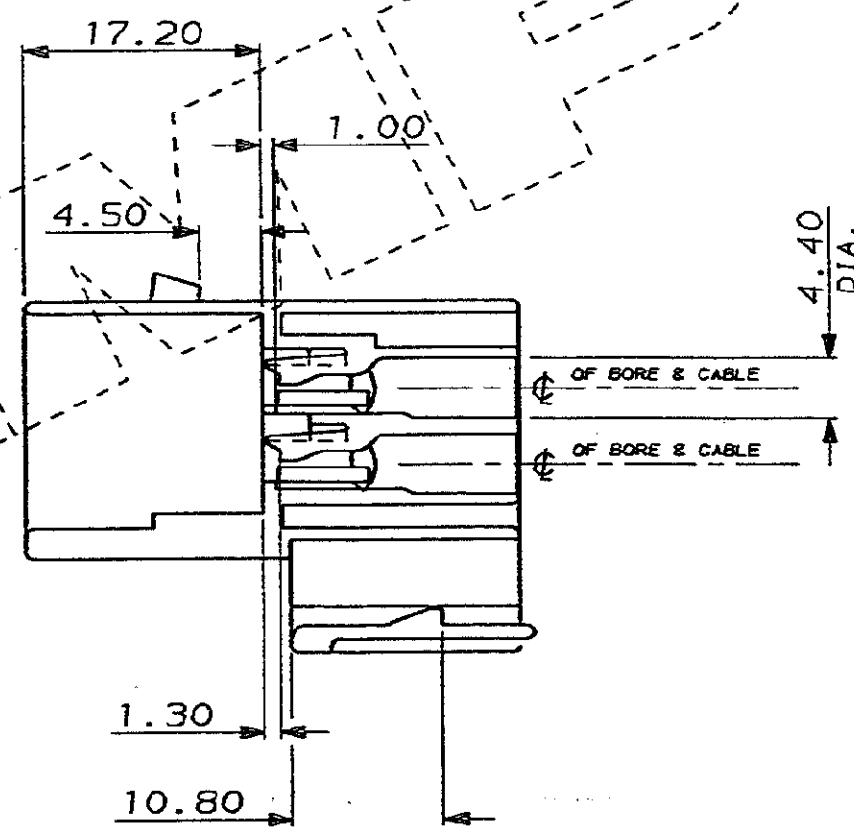
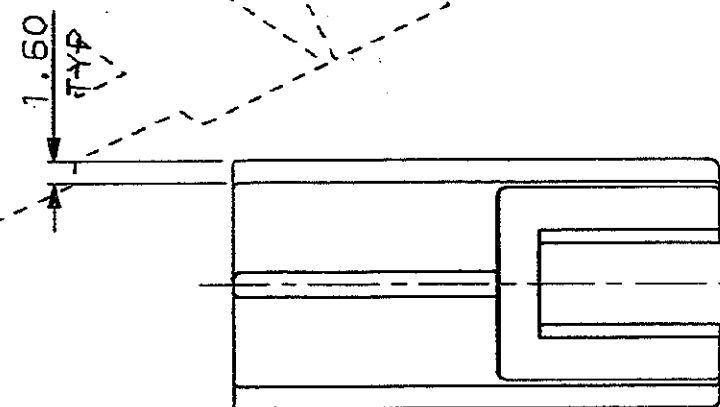
344268

DO NOT SCALE

DIMENSIONS IN MM.



FOR HEADER DETAILS OF THIS PART
SEE CSP 8489 REV. 2.



OBSOLETE

FINISH	MATERIAL	PART NUMBER
WHITE	NYLON 6.6	344268-4
BLUE	NYLON 6.6	344268-3
RED	NYLON 6.6	344268-2
BLACK	NYLON 6.6	344268-1

CUSTOMER DWG FOR REFERENCE ONLY		© COPYRIGHT 1987 BY AMP OF GREAT BRITAIN LTD. ALL INTERNATIONAL RIGHTS RESERVED. ALL PRODUCTS MAY BE COVERED BY BRITISH AND FOREIGN PATENTS AND/OR PATENTS PENDING.		RELEASED FOR PUBLICATION 03/11/87	
TOLERANCES UNLESS OTHERWISE STATED ±		DR. I. J.		03 NOV 1987	
DEC ± 0.5		CH. R. J. S.		APP. B. J.	
ANGLES ± 1°		TE TE Connectivity			
NAME 4 WAY TAB HOUSING ECONOSEAL 3 LOW CURRENT					
D1	ECR-13-015490	BB	06JAN2014	SCALE	LOC
REV	DESCRIPTION	APP	DATE	2/1	E
				SIZE	DWG. No.
				A2	C344268
				REV	SHEET
				D1	1/1

单击下面可查看定价，库存，交付和生命周期等信息

[>>TE Connectivity\(泰科\)](#)